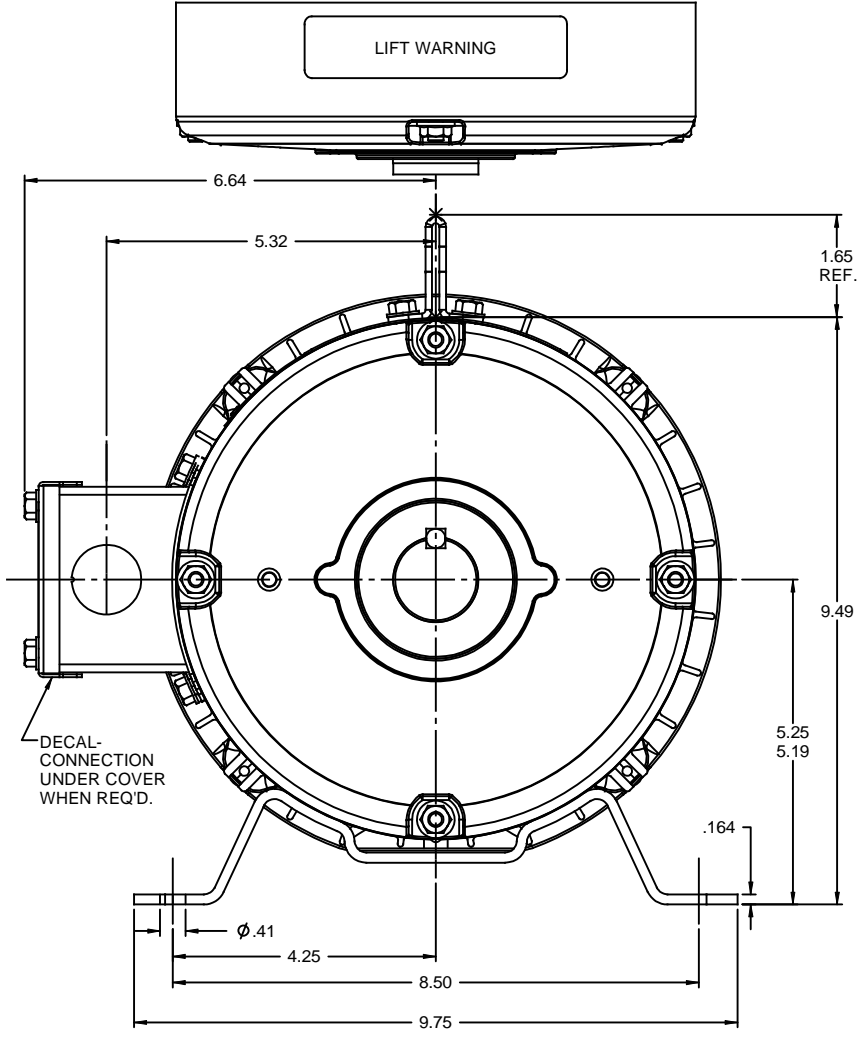
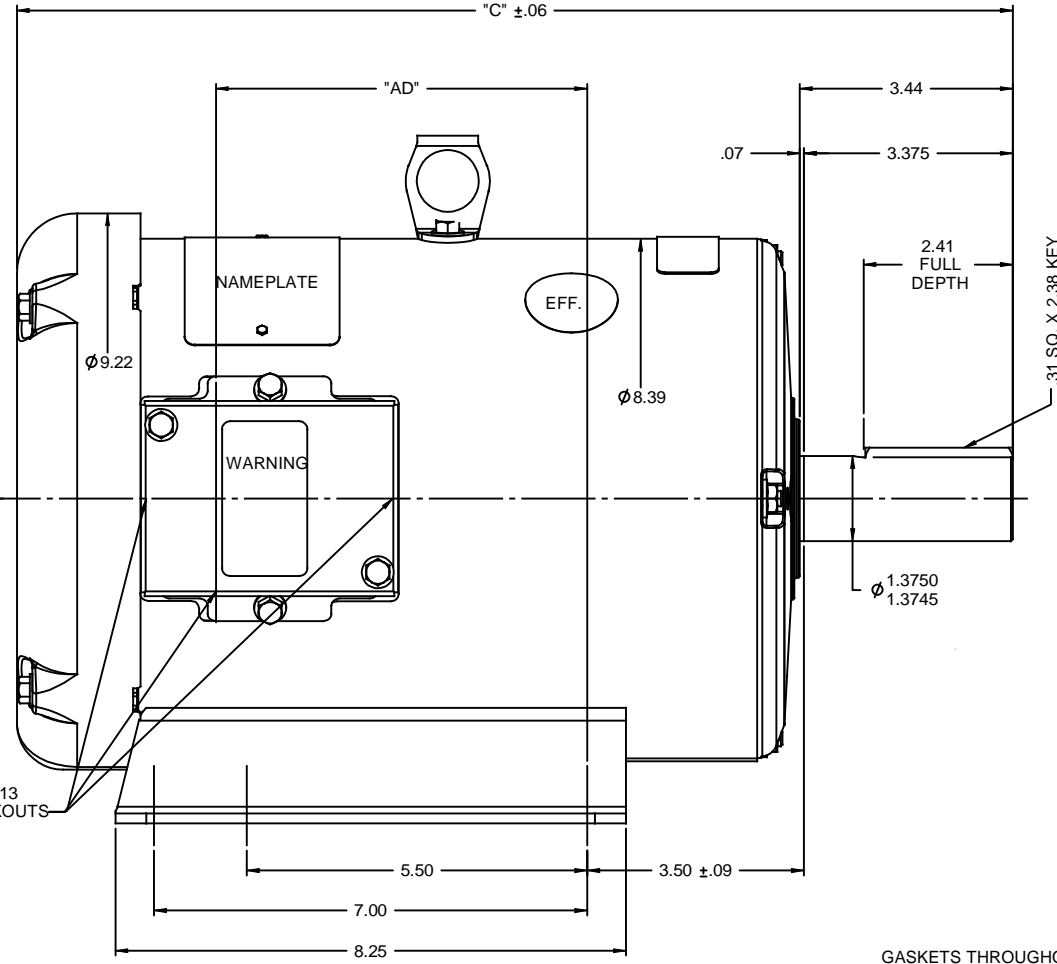


RBC PROPRIETARY AND CONFIDENTIAL INFORMATION  
 This document is the property of REGAL BELOIT CORPORATION ("RBC") including its subsidiaries and divisions and contains proprietary information of RBC. This document is loaned on the express condition that neither it nor the information contained therein shall be disclosed to others without the express written consent of RBC, and that the information shall be used by the recipient only as approved expressly by RBC. This document shall be returned to RBC upon its request. This document may be subject to certain restrictions under U.S. export control laws and regulations.



GASKETS THROUGHOUT

DASH NO.	"C"	"AD"
1000	16.09	6.00
1050	16.59	6.50
1100	17.09	7.00
1150	17.59	7.50
1200	18.09	8.00

REVISION		BY & DATE	CHK	ANG	FINISH	SIZE	DRAWING NO	REV
- UPDATED & REDRAWN ON SOLIDWORKS		LST 1/8/2010	XX	XXXX	MAT'L	B	035420	-
REVISION		BY & DATE	CHK	ANG	FINISH	SIZE	DRAWING NO	REV
THIRD ANGLE PROJECTION			RFP	±1/2°	PREV	B	035420	-
			TOLERANCES UNLESS SPECIFIED:					
			DEC	INCHES				
			X	±.1				
			.XX	±.03	TITLE		OUTLINE - S210T FRAME	
			.XXX	±.005	REF		TEFC - RIGID	
			.XXX	±.005	SCALE		1:2	
			.XXX	±.005	APPR		RK 5/26/96	
			.XXX	±.005	DRAWN		PG 5/26/96	
			.XXX	±.005	FMF		STANDARD	
			.XXX	±.005	RFP			
			.XXX	±.005	PREV			
			.XXX	±.005	NETWORK FILE NAME			

