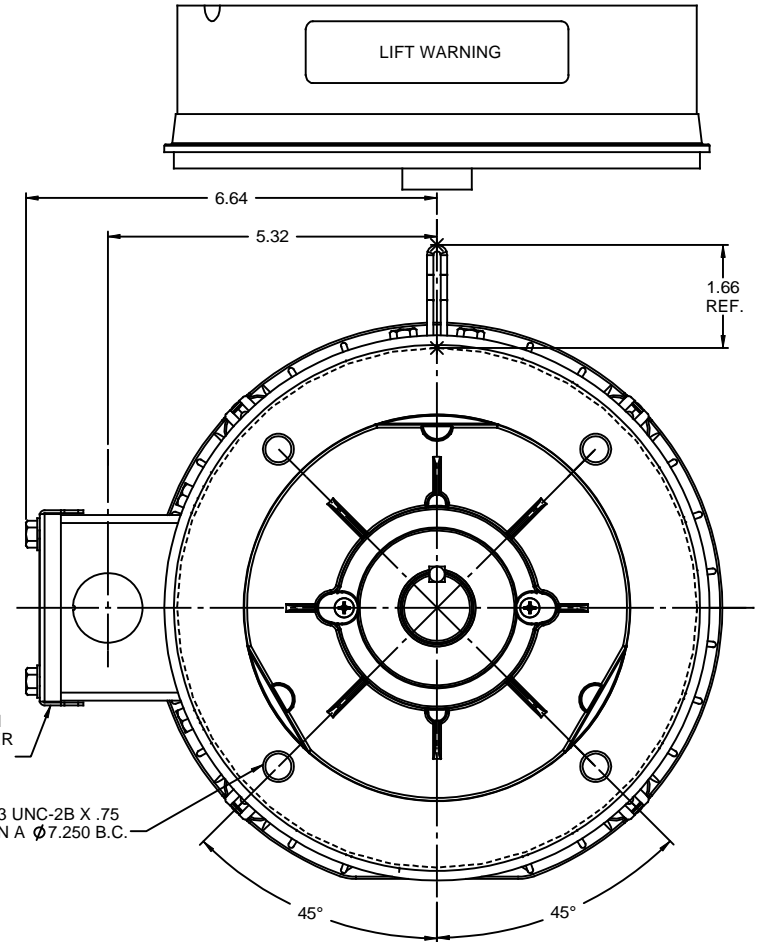
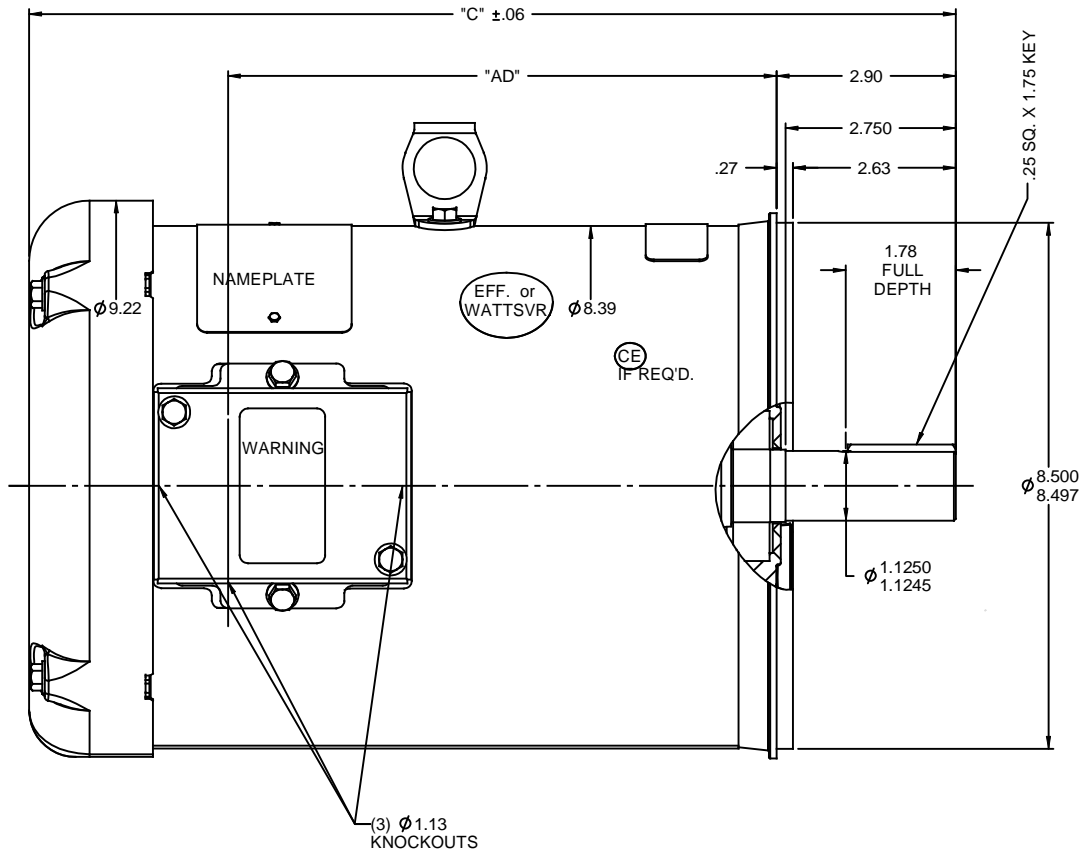


RBC PROPRIETARY AND CONFIDENTIAL INFORMATION  
 This document is the property of REGAL BELOIT CORPORATION ("RBC") including its subsidiaries and divisions and contains proprietary information of RBC. This document is loaned on the express condition that neither it nor the information contained therein shall be disclosed to others without the express written consent of RBC, and that the information shall be used by the recipient only as approved expressly by RBC. This document shall be returned to RBC upon its request. This document may be subject to certain restrictions under U.S. export control laws and regulations.



GASKETS THROUGHOUT  
 MAXIMUM FACE RUNOUT TO BE .004 T.I.R.  
 MAXIMUM PILOT ECCENTRICITY TO BE .004 T.I.R.  
 PERMISSIBLE SHAFT RUNOUT TO BE .002 T.I.R.

DASH NO.	"C"	"AD"
750	12.97	6.88
800	13.47	7.38
850	13.97	7.88
900	14.47	8.38
950	14.97	8.88
1000	15.47	9.38
1050	15.97	9.88
1100	16.47	10.38
1150	16.97	10.88

REVISION		BY & DATE	CHK	ANG	FINISH	SIZE	DRAWING NO	REV
- UPDATED & REDRAWN IN SOLIDWORKS		LST 12/17/2009	XX	XXX	±.0005			
THIRD ANGLE PROJECTION						B	035518	-

TOLERANCES UNLESS SPECIFIED		DRAWN	
DEC	INCHES	RDW	4/18/07
X	±.1	CHK	
.XX	±.03	APPR	SW 4/18/07
.XXX	±.005	SCALE	1:2
.XXXX	±.0005	REF	035452
		FMF	
		PAGE	OF
		OF	

TITLE		REGAL BELOIT CORPORATION	
OUTLINE - 180TC FRAME			
TEFC - "C" FACE			
MATL GENERAL PURPOSE			
NETWORK FILE NAME			