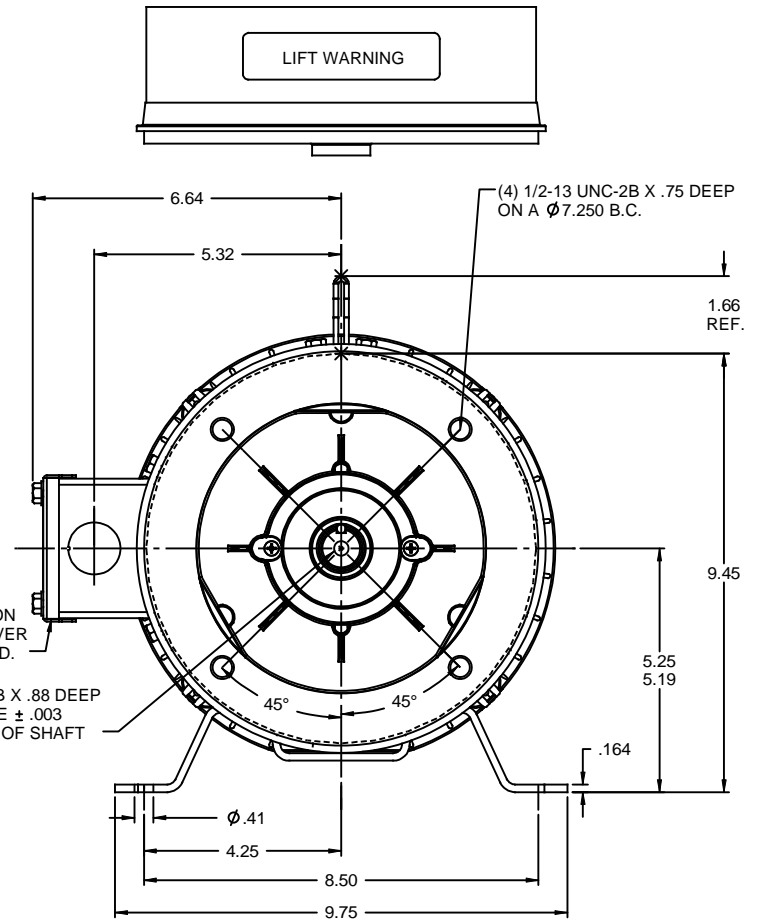
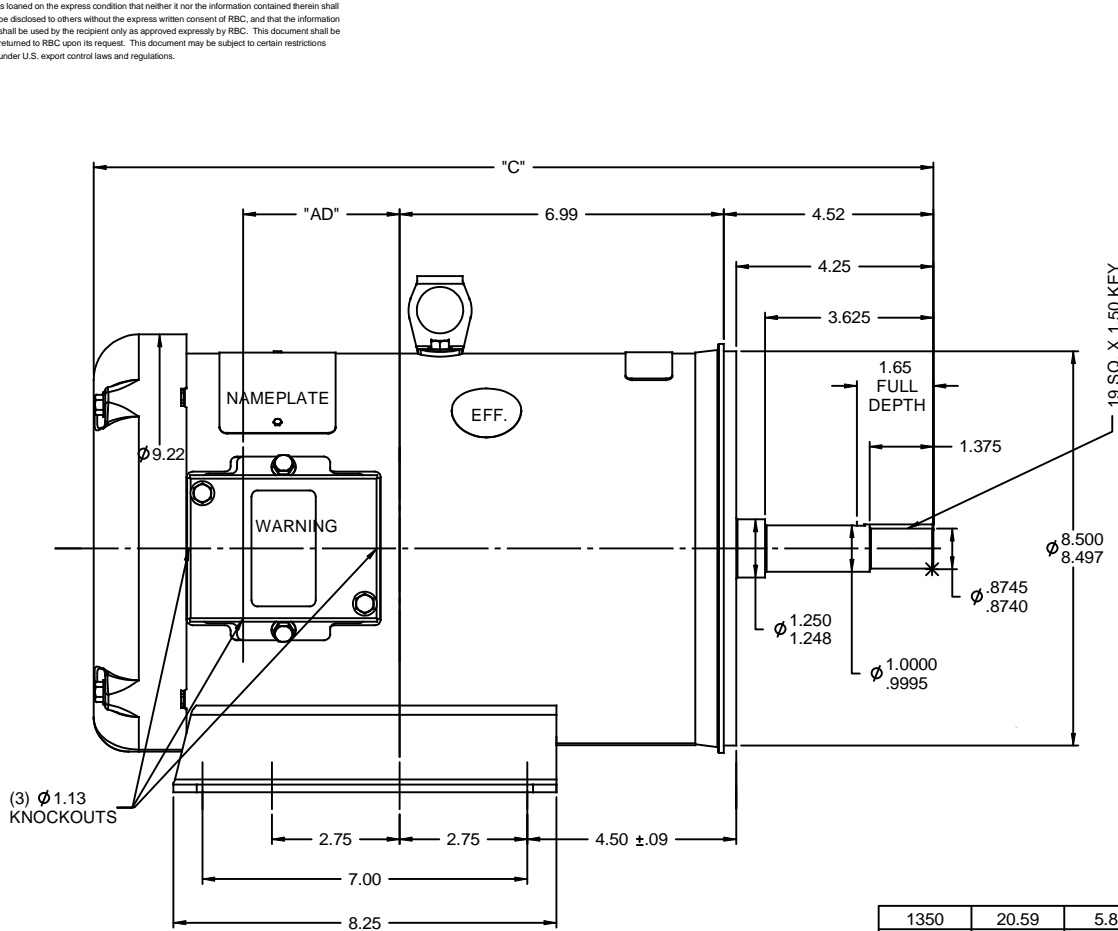


RBC PROPRIETARY AND CONFIDENTIAL INFORMATION
 This document is the property of REGAL BELOIT CORPORATION ("RBC") including its subsidiaries and divisions and contains proprietary information of RBC. This document is loaned on the express condition that neither it nor the information contained therein shall be disclosed to others without the express written consent of RBC, and that the information shall be used by the recipient only as approved expressly by RBC. This document shall be returned to RBC upon its request. This document may be subject to certain restrictions under U.S. export control laws and regulations.



GASKETS THROUGHOUT
 MAXIMUM FACE RUNOUT TO BE .004 T.I.R.
 MAXIMUM PILOT ECCENTRICITY TO BE .004 T.I.R.
 PERMISSIBLE SHAFT RUNOUT TO BE .002 T.I.R.

		TOLERANCES UNLESS SPECIFIED		DRAWN LST 10/15/04	
		DEC	INCHES	CHK RW 10/18/04	
		x	$\pm .1$	APPR KH 10/18/04	
		.xx	$\pm .03$	SCALE 3:8	
		.xxx	$\pm .005$	REF 131583	
- UPDATED & REDRAWN ON SOLIDWORKS		LST 11/10/2009	XX .xxx	MATL	FMF
NO	REVISION	BY & DATE	CHK ANG $\pm 1/2^\circ$	FINISH	PAGE OF
			RFP	PREV	SIZE DRAWING NO
THIRD ANGLE PROJECTION			NETWORK FILE NAME	B	035488
					REV -