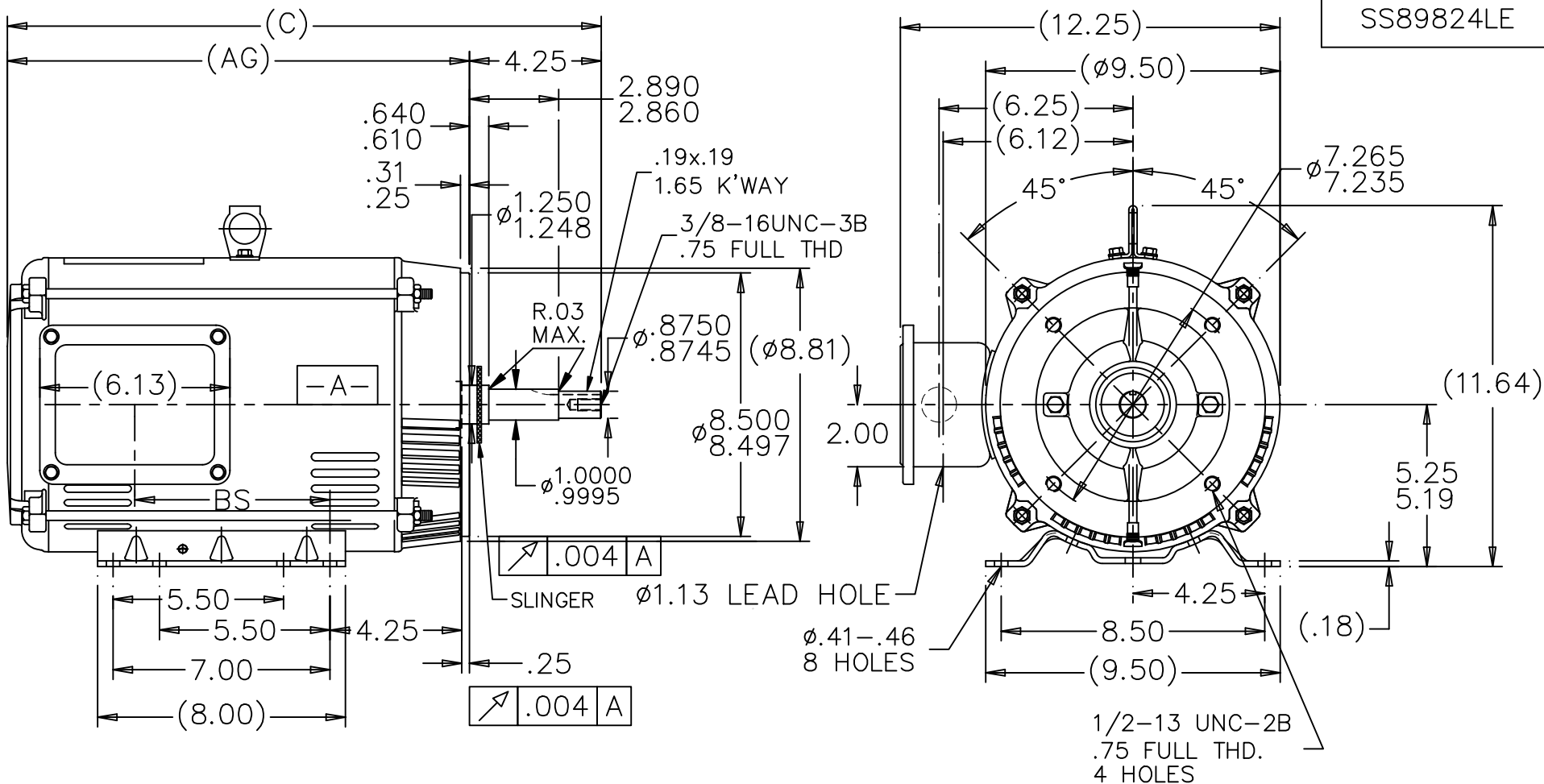


SS89824LE



NOTES:

1. NAMEPLATE TO BE READ FROM CONDUIT BOX SIDE OF MOTOR.
2. CONDUIT BOX CAN BE MOUNTED ON OPPOSITE SIDE BY REMOVING BRACKETS AND TURNING FRAME 180. (EXCEPT AS NOTED)

DASH	FRAME	C	AG	BS	MOUNTING
1115	213/15JM	19.16	14.91	6.30	

TOLERANCES UNLESS SPECIFIED

DEC.	INCHES
.X	$\pm .1$
.XX	$\pm .03$
.XXX	$\pm .005$
.XXXX	$\pm .0005$
ANG	$\pm 1/2^\circ$



ELECTRIC MOTORS
GEARMOTORS
AND DRIVES

DRAWN PN 12/13/2010

CHK SR 12/13/2010

APPD

TITLE
210JM FR. - BB - TS - DR.PR.- C FACE

SCALE 1=5

REF SS88643LE

MAT'L.

FMF

FINISH

PREV

NO.	REVISION	BY & DATE	CHK	ANG	±1/2'	FINISH

THIS DRAWING IN DESIGN AND DETAIL IS OUR PROPERTY AND MUST NOT BE USED EXCEPT IN CONNECTION WITH OUR WORK ALL RIGHTS OF DESIGN AND INVENTION ARE RESERVED THIS IS AN ELECTRONICALLY GENERATED DOCUMENT - DO NOT SCALE THIS PRINT

RFP	CAD FILE	SS89824LE
DIST	LB	

SIZE	DRAWING NO.	PAGE 1 OF 1	REV.
A	SS89824LE		