

# **BALDOR® • RELIANCE**

**Product Information Packet**

**ELECTRIC MOTOR WHOLESAL.COM**

**GHM35040**

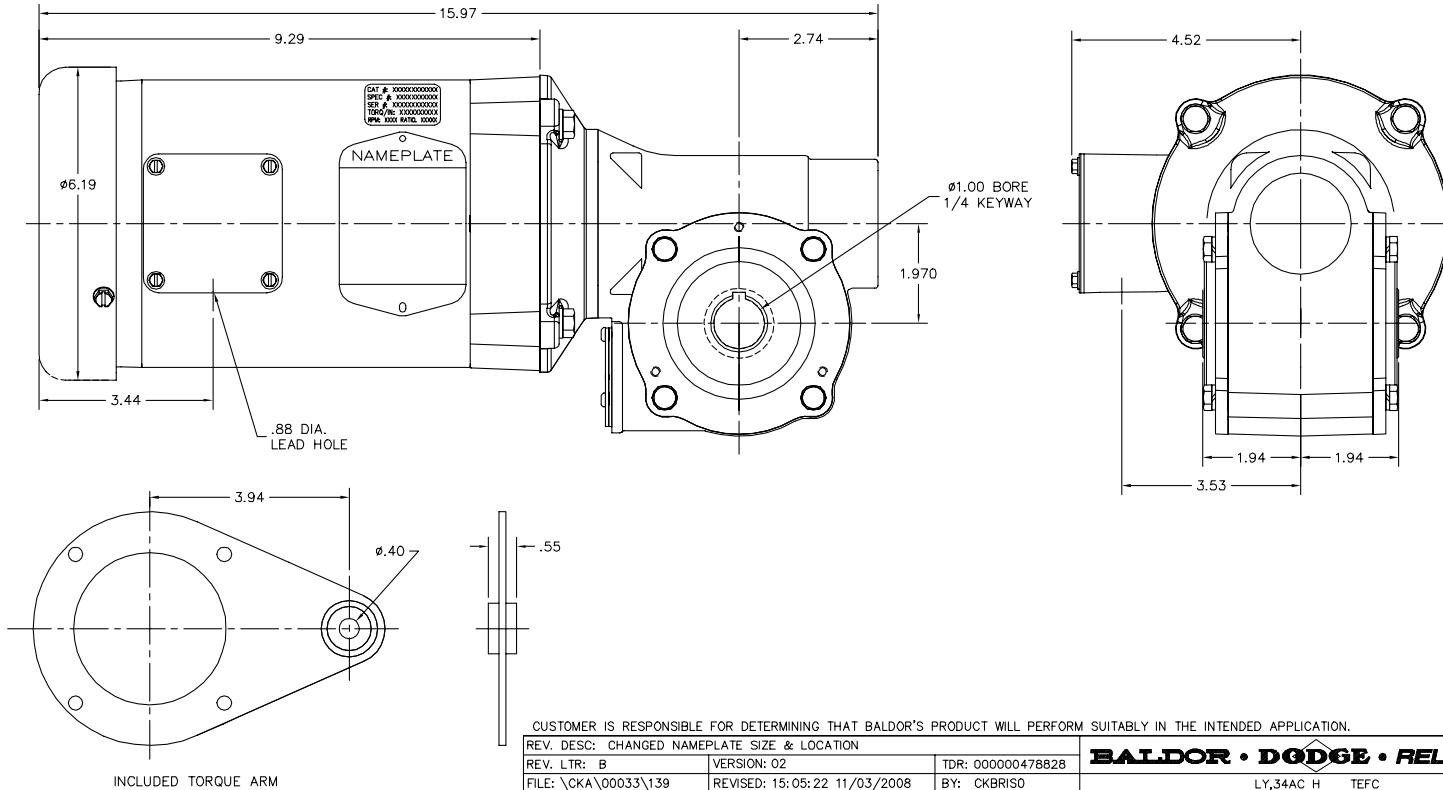
**G.M. Q16PF 230/460VAC 40:1 58 RPM**

| Part Detail         |             |             |       |                |            |               |            |
|---------------------|-------------|-------------|-------|----------------|------------|---------------|------------|
| Revision:           | C           | Status:     | PRD/A | Change #:      |            | Proprietary:  | No         |
| Type:               |             | Prod. Type: |       | Elec. Spec:    |            | CD Diagram:   |            |
| Enclosure:          | TEFC        | Mfg Plant:  |       | Mech. Spec:    |            | Layout:       |            |
| Frame:              | H           | Mounting:   |       | Poles:         |            | Created Date: | 09-21-2007 |
| Base:               |             | Rotation:   | R     | Insulation:    |            | Eff. Date:    | 06-29-2009 |
| Leads:              | 9#18        | Literature: | Y     | Elec. Diagram: |            | Replaced By:  |            |
| Nameplate NP1907A02 |             |             |       |                |            |               |            |
| CAT.                | GHM35040    |             |       |                |            |               |            |
| SPEC.               | 34A63-872K5 |             |       |                |            |               |            |
| SER.                |             |             |       |                |            |               |            |
| RATIO               | 40:1        |             |       |                |            |               |            |
| R.P.M.              | 43          |             |       |                | TORQ/IN LB |               | 528        |

| Parts List  |  |          |
|-------------|--|----------|
| Part Number | Description                              | Quantity |
| SR001861    | SR 34A63-872K5                           | 1.000 EA |
| VM3538      | .5HP,1725RPM,3PH,60HZ,56C,3416M,TEFC,F1  | 1.000 EA |
| 10XN3816A16 | 3/8-16 X 1 HEX HD CAP SCREW              | 4.000 EA |
| HW1001A38   | LOCKWASHER 3/8, ZINC PLT .688 OD, .382 I | 4.000 EA |
| HG0070A01G  | HSG,H HOL W/ GRAY POWDER COATING         | 1.000 EA |
| HA1194B01   | BLADDER,CJK EXPANSION                    | 1.000 EA |
| 15XM0632A06 | SCREW, 6-32X .375, THREAD FORMING        | 3.000 EA |
| HA4021A04   | 1/8 NPTF-HX SOC PIPE PLUG TAPER DRY SEAL | 1.000 EA |
| HW5000A94   | N5000-206 RETAINER RING                  | 2.000 EA |
| HW4600C33   | SEAL 25X52X8MM NITRILE                   | 1.000 EA |
| WM0082A01   | WORM,H 40:1 RATIO, 5/8 BORE ASSEMBLY     | 1.000 EA |
| BG6205C03   | 6205 D.SH,C3,POLYREX EM                  | 1.000 EA |
| HW5060A58   | RET RING 5160-98 WALDES FOR .984 OR 1.00 | 1.000 EA |
| GF0066A01G  | FLG,H 56C W/ GRAY POWDER COATING         | 1.000 EA |
| 10XN3118A16 | 5/16-18X1 HEX HD CAP                     | 4.000 EA |
| HW1001A31   | LOCKWASHER 5/16, ZINC PLT.591 OD, .319 I | 4.000 EA |
| HA3555A04   | EXPANSION PLUG 2.053/2.049 X 9/32        | 1.000 EA |
| BS0187A01G  | BS,H HOL 6207 W/GRAY POWDER COATING      | 1.000 EA |
| HW4600C73   | METRIC SEAL 35/62/7 SINGLE LIP NITRILE C | 1.000 EA |
| 10XN2520A10 | 1/4-20X 5/8 HEX HD X                     | 4.000 EA |
| HW1001A25   | LOCKWASHER 1/4, ZINC PLT .493 OD, .255 I | 4.000 EA |
| BS0187A02G  | BS,H HOL 6207 STD W/SNAP RING & GRAY PO  | 1.000 EA |
| BG6207A01   | 6207 OPEN,C3,SLUSH                       | 1.000 EA |
| HW5002A92   | RET RING N5002-281 (WALDES) BEVELED 2.81 | 1.000 EA |

| Parts List (continued) |  |          |
|------------------------|--|----------|
| Part Number            | Description                              | Quantity |
| HA1241                 | SHIM, .005 THICK PLASTIC FOR "H" BOX (B  | 1.000 EA |
| HA1242                 | SHIM, .010 THICK PLASTIC FOR "H" BOX (B  | 2.000 EA |
| HW4600C73              | METRIC SEAL 35/62/7 SINGLE LIP NITRILE C | 1.000 EA |
| 10XN2520A10            | 1/4-20X 5/8 HEX HD X                     | 4.000 EA |
| HW1001A25              | LOCKWASHER 1/4, ZINC PLT .493 OD, .255 I | 4.000 EA |
| MJ1000A90              | KLUBERSYNTH UH1-6-460 WORMGEAR OIL       | 0.050 GA |
| NP1907A02              | NP,GR AD NONE H                          | 1.000 EA |
| MJ1000B01              | ANTISEIZE - ALTEMP Q NB 50, 750 GRAM CAN | 0.001 EA |
| LB5042                 | TOE TAG, OIL PREFILL KLUBERSYN (250/pk)  | 1.000 EA |
| G1PA1004               | PKG GRP, MOTOR & GEARBOX                 | 1.000 EA |
| PK3082                 | STYROFOAM CRADLE                         | 1.000 EA |
| LB1171                 | LABEL CARTON 6X6 ON LINE BLANK ROLLS     | 1.000 EA |
| HW2513A11              | KEY .250 X 1.250 1018 STEEL              | 1.000 EA |
| PK1182                 | O.P.F. CARTON, OIL                       | 1.000 EA |
| HA3622A01K             | TORQUE ARM, ASSEMBLY                     | 1.000 EA |
| HA6462A01              | COVER,MOLDED PLASTIC,25F Johnson Plastic | 1.000 EA |
| 15XN1032A04            | 10-32X1/4 PN HD PHIL MS                  | 3.000 EA |
| 10XN2520A12            | O1/4-20X 3/4 HEX HEAD CAP                | 4.000 EA |
| HW1001A25              | LOCKWASHER 1/4, ZINC PLT .493 OD, .255 I | 4.000 EA |
| MP1009A01              | 4 X 4 ZIP POLYBAG, 4 MIL                 | 1.000 EA |
| LT0066A15              | H-BOX TORQUE ARM, ASSEMBLY INSTRUCTIONS  | 1.000 EA |

34A63-872K5



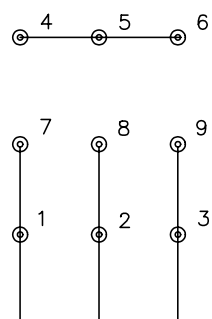
34A63-872K5

**BALDOR • DODGE • RELIANCE**  
 LY,34AC H TEFC  
 SH 1 of 1

CD0005

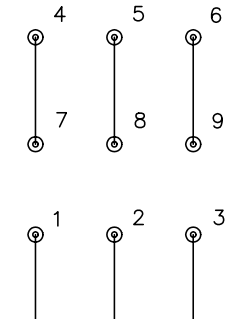


LOW VOLTAGE  
(2Y)



LINE

HIGH VOLTAGE  
(1Y)



LINE

NOTES:

1. INTERCHANGE ANY TWO LINE LEADS TO REVERSE ROTATION.
2. OPTIONAL THERMOSTATS ARE PROVIDED WHEN SPECIFIED.
3. ACTUAL NUMBER OF INTERNAL PARALLEL CIRCUITS MAY BE A MULTIPLE OF THOSE SHOWN ABOVE.
4. LEAD COLORS ARE OPTIONAL. LEADS MUST ALWAYS BE NUMBERED AS SHOWN.

|   |         |                         |              |
|---|---------|-------------------------|--------------|
| REV. DESC: REVISE TO SHOW OPTIONAL COLORS |         |                         |              |
| REV. LTR: E                               | BY: JLP | REVISED: 01/19/99 10:15 | TDR: 0171435 |
| 900000                                    |         | FILE: AAA00005140       | MDL: -       |
|   |         | MTL: -                  |              |

**BALDOR ELECTRIC Co.**

3PH, DV, 9 LEADS

CD0005