

BALDOR® • RELIANCE

Product Information Packet

ELECTRIC MOTOR WHOLESAL.COM

GHM35050

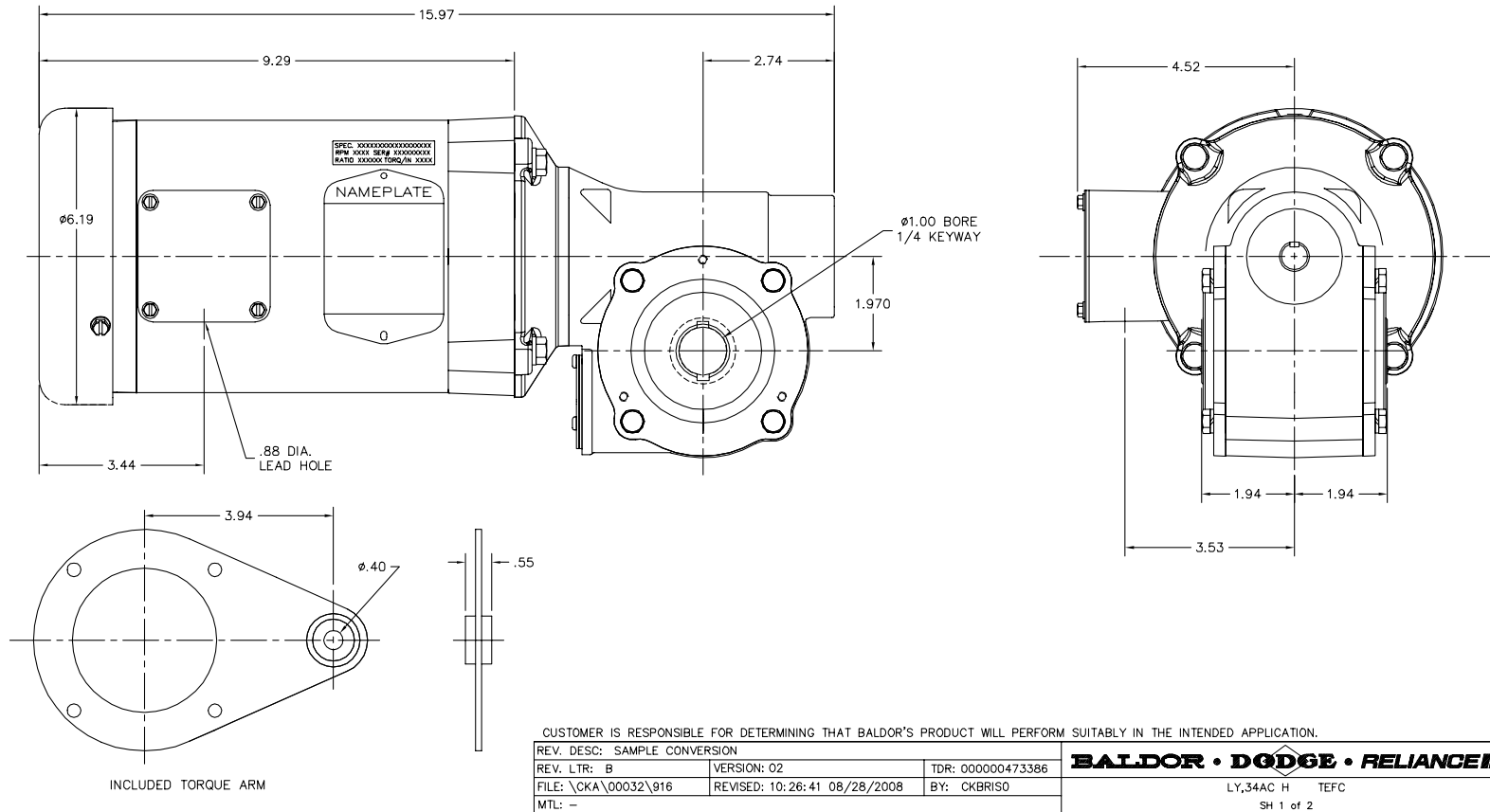
G.M. Q16PF 230/460VAC 50:1 35 RPM

Part Detail							
Revision:	C	Status:	PRD/A	Change #:		Proprietary:	No
Type:		Prod. Type:		Elec. Spec:		CD Diagram:	
Enclosure:	TEFC	Mfg Plant:		Mech. Spec:		Layout:	
Frame:	H	Mounting:		Poles:		Created Date:	08-24-2007
Base:		Rotation:	R	Insulation:		Eff. Date:	06-29-2009
Leads:	9#18	Literature:	Y	Elec. Diagram:		Replaced By:	
Nameplate NP1286A06							
SPEC.	34A63-872K6						
R.P.M.	35	DATE CODE					
RATIO	50:1	TORQ/IN LB				609	

Parts List		
Part Number	Description	Quantity
SR001862	SR 34A63-872K6	1.000 EA
VM3538	.5HP,1725RPM,3PH,60HZ,56C,3416M,TEFC,F1	1.000 EA
10XN3816A16	3/8-16 X 1 HEX HD CAP SCREW	4.000 EA
HW1001A38	LOCKWASHER 3/8, ZINC PLT .688 OD, .382 I	4.000 EA
HG0070A01G	HSG,H HOL W/ GRAY POWDER COATING	1.000 EA
HA1194B01	BLADDER,CJK EXPANSION	1.000 EA
15XM0632A06	SCREW, 6-32X .375, THREAD FORMING	3.000 EA
HA4021A04	1/8 NPTF-HX SOC PIPE PLUG TAPER DRY SEAL	1.000 EA
HW4001A05	1/8 HX SOC PIPE PLG(F/S)	1.000 EA
HW5000A94	N5000-206 RETAINER RING	2.000 EA
HW4600C33	SEAL 25X52X8MM NITRILE	1.000 EA
WM0082A08	WORM,H 50:1 RATIO, 5/8 BORE ASSEMBLY	1.000 EA
BG6205C03	6205 D.SH,C3,POLYREX EM	1.000 EA
HW5060A58	RET RING 5160-98 WALDES FOR .984 OR 1.00	1.000 EA
GF0066A01G	FLG,H 56C W/ GRAY POWDER COATING	1.000 EA
10XN3118A16	5/16-18X1 HEX HD CAP	4.000 EA
HW1001A31	LOCKWASHER 5/16, ZINC PLT.591 OD, .319 I	4.000 EA
HA3555A04	EXPANSION PLUG 2.053/2.049 X 9/32	1.000 EA
BS0187A01G	BS,H HOL 6207 W/GRAY POWDER COATING	1.000 EA
HW4600C73	METRIC SEAL 35/62/7 SINGLE LIP NITRILE C	1.000 EA
10XN2520A10	1/4-20X 5/8 HEX HD X	4.000 EA
HW1001A25	LOCKWASHER 1/4, ZINC PLT .493 OD, .255 I	4.000 EA
BS0187A02G	BS,H HOL 6207 STD W/SNAP RING & GRAY PO	1.000 EA
BG6207A01	6207 OPEN,C3,SLUSH	1.000 EA

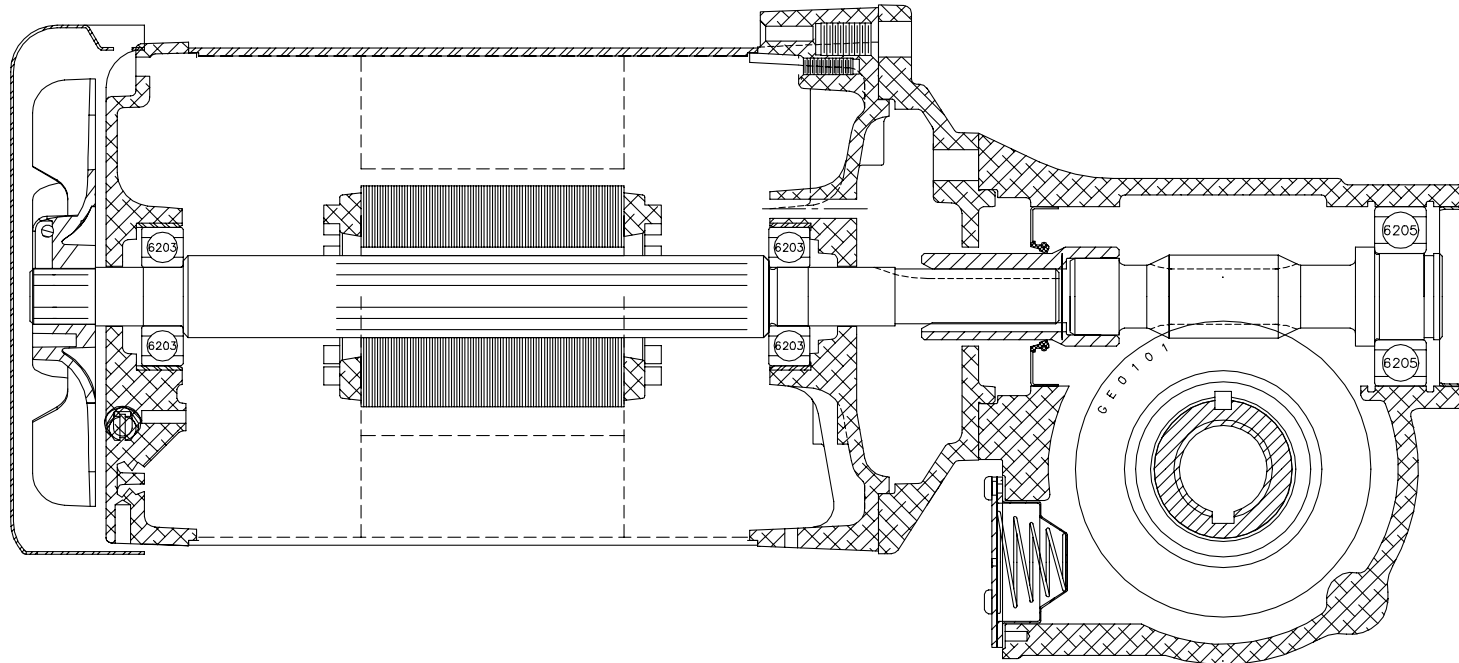
Parts List (continued)		
Part Number	Description	Quantity
HW5002A92	RET RING N5002-281 (WALDES) BEVELED 2.81	1.000 EA
HA1241	SHIM, .005 THICK PLASTIC FOR "H" BOX (B	1.000 EA
HA1242	SHIM, .010 THICK PLASTIC FOR "H" BOX (B	2.000 EA
HW4600C73	METRIC SEAL 35/62/7 SINGLE LIP NITRILE C	1.000 EA
10XN2520A10	1/4-20X 5/8 HEX HD X	4.000 EA
HW1001A25	LOCKWASHER 1/4, ZINC PLT .493 OD, .255 I	4.000 EA
MJ1000A90	KLUBERSYNTH UH1-6-460 WORMGEAR OIL	0.050 GA
NP1286A06	NP,GR AD NONE H	1.000 EA
MJ1000B01	ANTISEIZE - ALTEMP Q NB 50, 750 GRAM CAN	0.001 EA
LB5042	TOE TAG, OIL PREFILL KLUBERSYN (250/pk)	1.000 EA
G1PA1004	PKG GRP, MOTOR & GEARBOX	1.000 EA
PK3082	STYROFOAM CRADLE	1.000 EA
LB1171	LABEL CARTON 6X6 ON LINE BLANK ROLLS	1.000 EA
HW2513A11	KEY .250 X 1.250 1018 STEEL	1.000 EA
PK1182	O.P.F. CARTON, OIL	1.000 EA
HA3622A01K	TORQUE ARM, ASSEMBLY	1.000 EA
HA6462A01	COVER,MOLDED PLASTIC,25F Johnson Plastic	1.000 EA
15XN1032A04	10-32X1/4 PN HD PHIL MS	3.000 EA
10XN2520A12	O1/4-20X 3/4 HEX HEAD CAP	4.000 EA
HW1001A25	LOCKWASHER 1/4, ZINC PLT .493 OD, .255 I	4.000 EA
MP1009A01	4 X 4 ZIP POLYBAG, 4 MIL	1.000 EA
LT0066A15	H-BOX TORQUE ARM, ASSEMBLY INSTRUCTIONS	1.000 EA

34A63-872K6



34A63-872K6

34A63-872K6



34A63-872K6

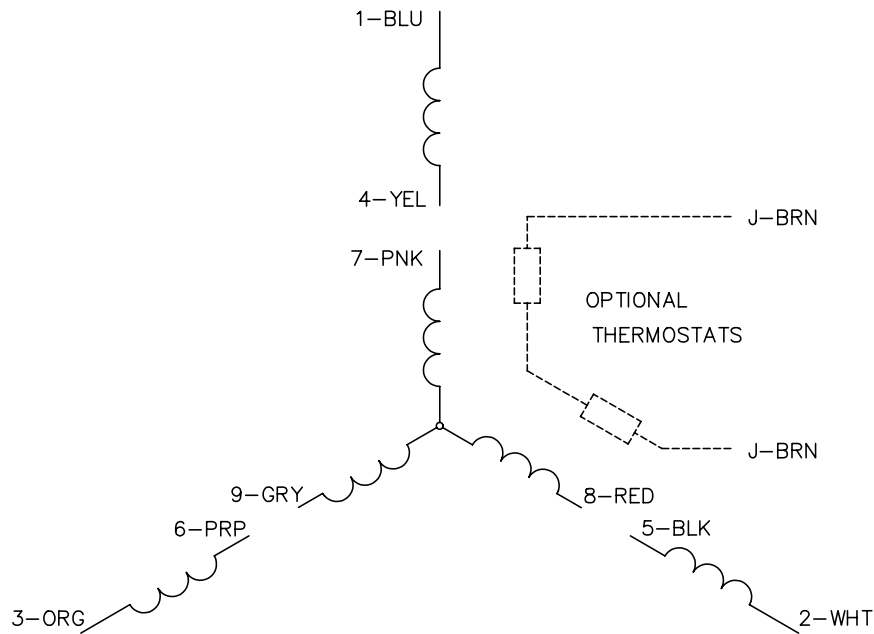
CUSTOMER IS RESPONSIBLE FOR DETERMINING THAT BALDOR'S PRODUCT WILL PERFORM SUITABLY IN THE INTENDED APPLICATION.

REV. DESC: SAMPLE CONVERSION		
REV. LTR: B	VERSION: 02	TDR: 000000473386
FILE: \CKA\00032\916	REVISED: 10:26:41 08/28/2008	BY: CKBRISO
MTL: -		

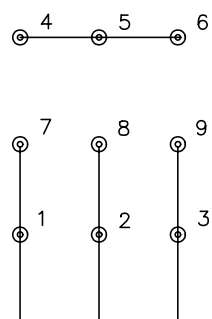
BALDOR • DODGE • RELIANCE

LY,34AC H TEFC
SH 2 of 2

CD0005

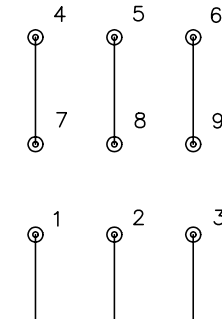


LOW VOLTAGE
(2Y)



LINE

HIGH VOLTAGE
(1Y)



LINE

NOTES:

1. INTERCHANGE ANY TWO LINE LEADS TO REVERSE ROTATION.
2. OPTIONAL THERMOSTATS ARE PROVIDED WHEN SPECIFIED.
3. ACTUAL NUMBER OF INTERNAL PARALLEL CIRCUITS MAY BE A MULTIPLE OF THOSE SHOWN ABOVE.
4. LEAD COLORS ARE OPTIONAL. LEADS MUST ALWAYS BE NUMBERED AS SHOWN.

REV. DESC: REVISE TO SHOW OPTIONAL COLORS			
REV. LTR: E	BY: JLP	REVISED: 01/19/99 10:15	TDR: 0171435
900000		FILE: AAA00005140	MDL: -
		MTL: -	

BALDOR ELECTRIC Co.

3PH, DV, 9 LEADS

CD0005