

# **BALDOR® • RELIANCE**

**Product Information Packet**

**ELECTRIC MOTOR WHOLESAL.COM**

**GM25024**

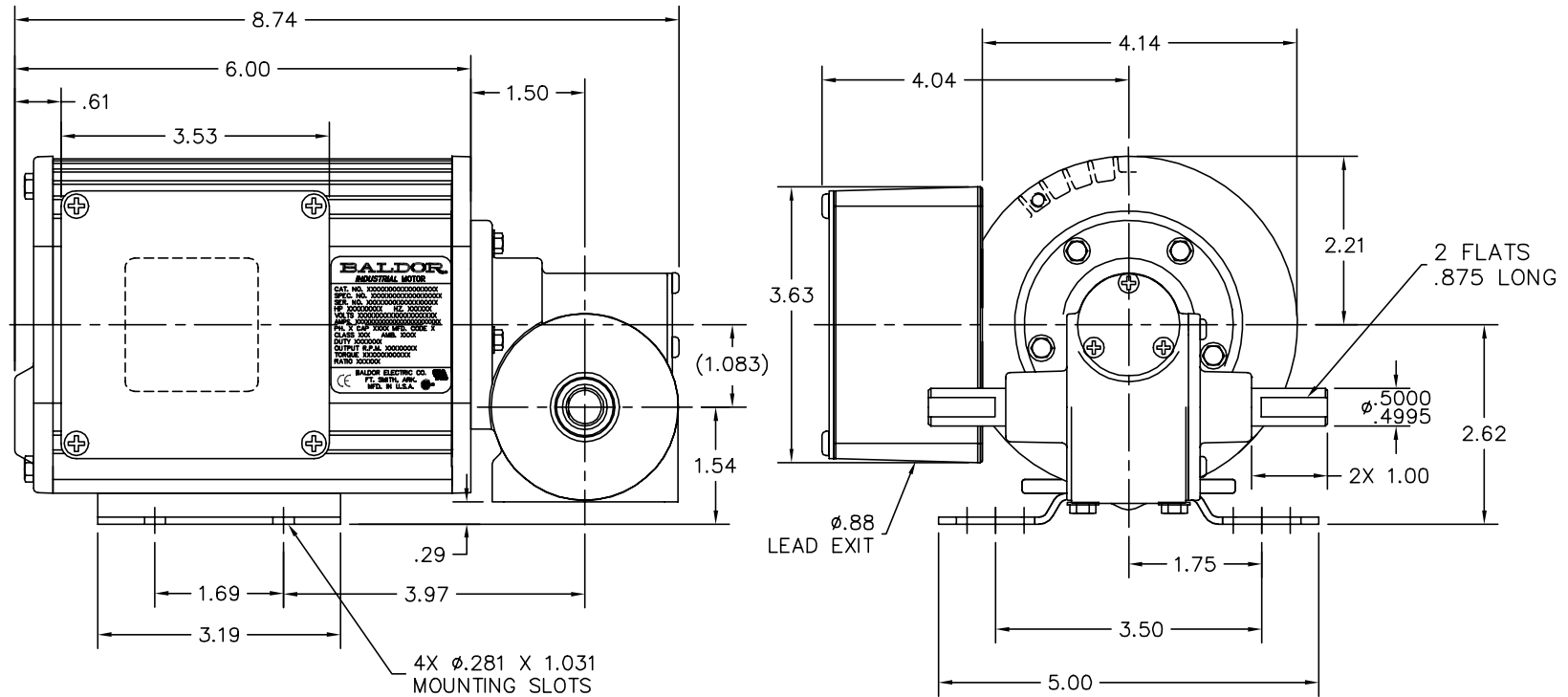
**G.M. K16BA 208-230/460V AC 10:1**

Part Detail								
Revision:	T	Status:	PRD/A	Change #:		Proprietary:	No	
Type:	AC	Prod. Type:	2516M	Elec. Spec:	25WGW004	CD Diagram:		
Enclosure:	TENV	Mfg Plant:		Mech. Spec:		Layout:		
Frame:	BA	Mounting:		Poles:	04	Created Date:		
Base:		Rotation:	R	Insulation:	F	Eff. Date:	01-13-2009	
Leads:	9#18	Literature:		Elec. Diagram:		Replaced By:		
Nameplate NP1869A01								
CAT.NO.	GM25024							
SPEC.	25E644W004G3							
SER.NO								
HP	.1//.13		HZ	50//60				
VOLTS	190/380//208-230/460							
AMB.	40C							
PH	3		CAP				CODE	-
CLASS	F		AMP	.82/.4//.76-.84/.4				
DUTY	CONT							
R.P.M.	143//174							
TORQ/IN LB	30							
RATIO	10:1		APRV-CSA				APRV-UL	
APRV-CE								

Parts List		
Part Number	Description	Quantity
SA125133	SA 25E644W004G3	1.000 EA
RA115504	RA 25E644W004G3	1.000 EA
SR001484	SR 25E644W004G3	1.000 EA
LC0005	CONN.DIA.,TY M,9-LD,DUAL VOLT,REVERSING	1.000 EA
25EP2108A03G	EP,25AC DE CL 6200 RA EXT. THRU BOLTS	1.000 EA
HW5002A45	RETAINING RING,WALDES TRUARC N5002-118	1.000 EA
HW4600D37	SEAL,10MM X 26MM X7MM	1.000 EA
RM1057	RUBBER SQUARE RING 1.424 I.D.	1.000 EA
WM0038A02	WORM,BE 10.0 INP 1.083 C.D.	1.000 EA
MJ5019A01	ADHESIVE LOCTITE #680 WAS BAD4525	0.001 EA
25BA4000G	BASE,STAMPED	1.000 EA
51XN1032A08	10-32 X 0.500 HX WS SL SR ZN	4.000 EA
MJ5004A35	ADHESIVE LOCTITE #243-31 50 ML	0.001 EA
CB0100B01G	CB,EXR 25 .88 LEAD EXIT F1 POSITION	1.000 EA
GS0120	GASKET,CONDUIT BOX FOR CB2000A17	1.000 EA
15XN0832A08	SCREW PAN HD 08-32 X 1/2 (PHILLIPS)	2.000 EA
CB0103A00G	CB,LID FOR CB0100 W/GRAY POWDER COATING	1.000 EA
GS0121A01	GASKET, LID FOR CB0100B00	1.000 EA
15XM0832A06	SCREW, 8-32X .375, THREAD FORMING	4.000 EA
25EP2110A43G	ENDPLATE,25 ODE AC FOR EXT FINNED HSG FL	1.000 EA
HW5109A08	WASHER, WAVE SPRING FOR 30MM BORE SMALLE	1.000 EA
51XT0832G05	SCREW,HEX HD 8-32 X 5/16 GRN.	1.000 EA
HA3100A08	THRUBOLT 10-32 X 5.750	2.000 EA
BHG5353-003G	HOUSING, B BOX GEAR HEAD	1.000 EA

Parts List (continued)		
Part Number	Description	Quantity
19XN1032A12	SCREW, HEX WASHER HEAD, #10-32 X .750	4.000 EA
HA4021A05	1/16 NPSF-HX SOC PIPE PLUG TAPER DRY SEA	1.000 EA
BH1104	PAPZ0808-P14 SLEEVE BRG	1.000 EA
HW4600C29	SEAL, TCM #0507416 SCW .50X.75X.165 RB	1.000 EA
BCG5490-001G	CAP, "B" BOX GEARHOUSING, MACH'D	1.000 EA
RM1078	RUBBER SQUARE RING 1.864 I.D.	1.000 EA
BH1104	PAPZ0808-P14 SLEEVE BRG	1.000 EA
HW4600C29	SEAL, TCM #0507416 SCW .50X.75X.165 RB	1.000 EA
15XM0832A08	SCREW, 8-32X .500, THREAD FORMING	3.000 EA
HA1194B02	BLADDER,BDE EXPANSION	1.000 EA
15XM0632A06	SCREW, 6-32X .375, THREAD FORMING	3.000 EA
MJ1000B02	KLUB. GH6-460 GEAR OIL 1 LB	0.008 GA
NP1869A01	NP,AC STD AD NONE V CE CSA UL GEAR MOTOR	1.000 EA
LB5040	INSTRUCTION TAG, AC & DC	1.000 EA
CPA1000	PACKING GROUP STD. SINGLE	1.000 EA
LB1171	LABEL CARTON 6X6 ON LINE BLANK ROLLS	1.000 EA

25E644W004G3



NOTES:

- 1. BASE SCREWS INSTALLED WITH LOCTITE.
- 2. CONNECTION LABEL INSTALLED UNDER CONDUIT BOX LID.

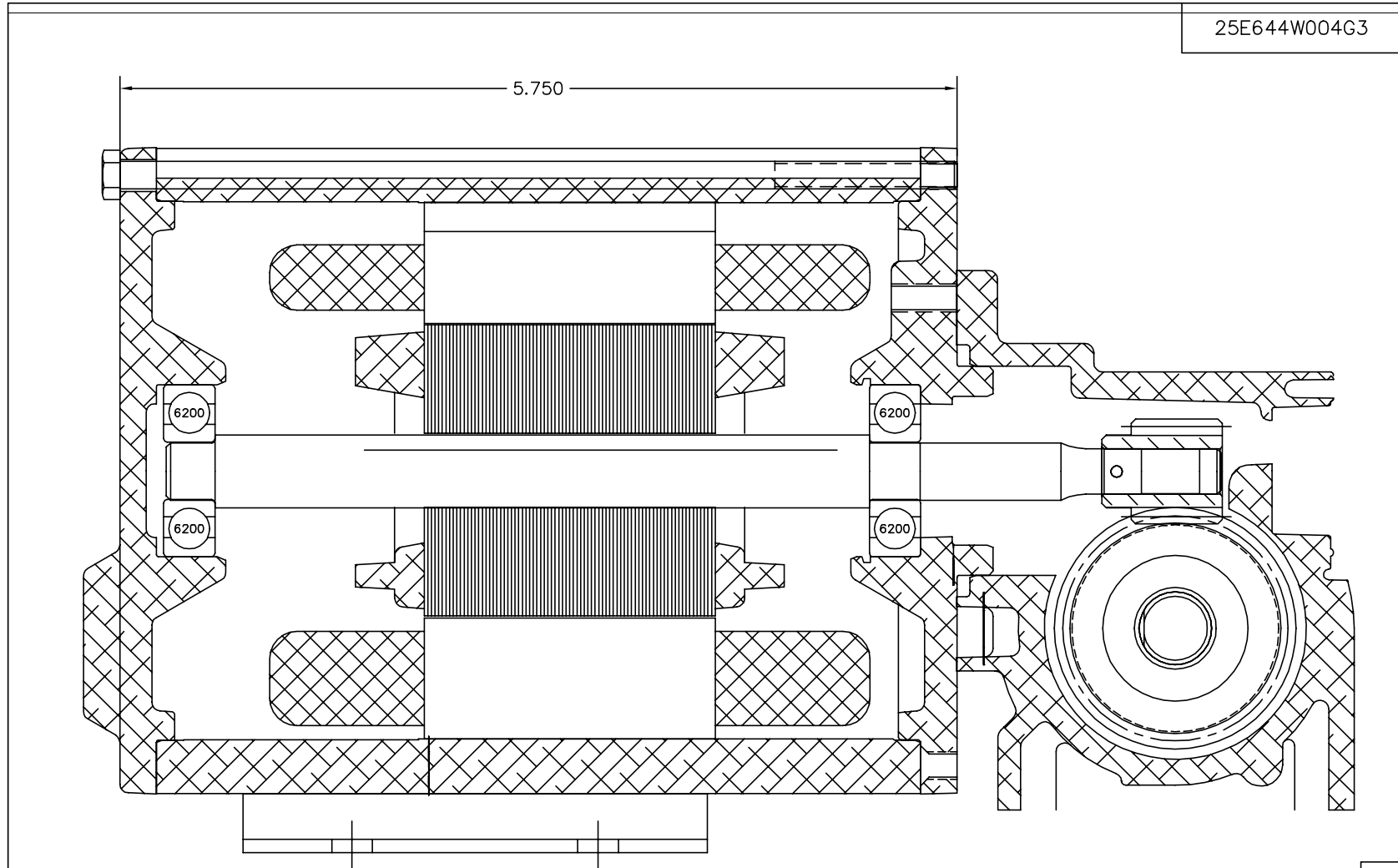
CUSTOMER IS RESPONSIBLE FOR DETERMINING THAT MOTOR PERFORMANCE IS SUITABLE IN THE APPLICATION.

REV. DESC: ADD BASE TO SHAFT CENTERLINE DIM. TO LAYOUT		
REV. LTR: B	VERSION: 02	TDR: 000000419721
25E644W004G3	FILE: \CKA\00026\9866	REVISED: 07:17:40 01/17/2007
	MTL: -	BY: CKRONSO

**BALDOR ELECTRIC Co.**

LY,25 B EXR TENV W\BASE (25E214W004G3)

25E644W004G3



25E644W004G3

25E644W004G3

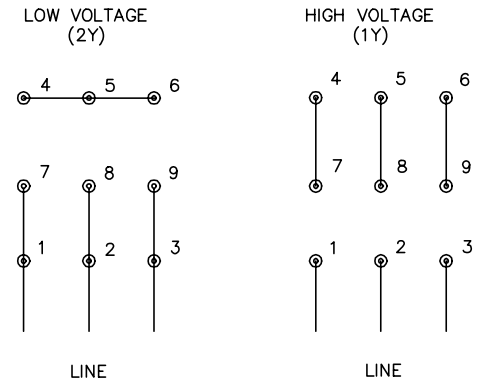
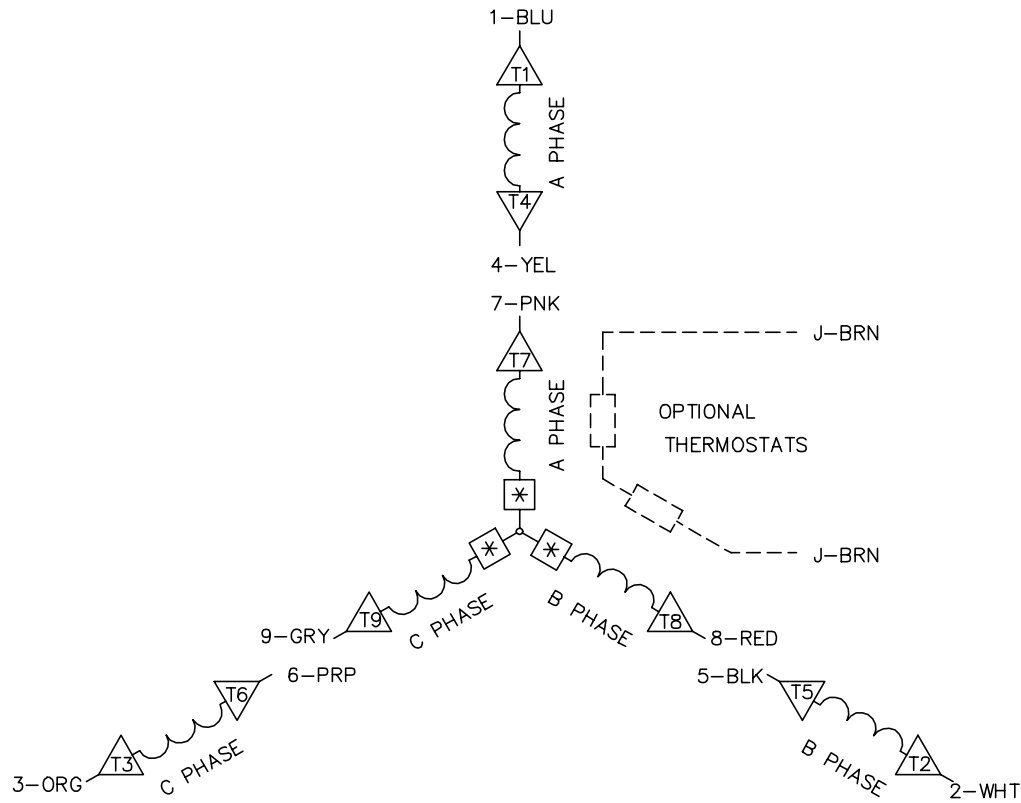
CUSTOMER IS RESPONSIBLE FOR DETERMINING THAT MOTOR PERFORMANCE IS SUITABLE IN THE APPLICATION.

REV. DESC: ADD BASE TO SHAFT CENTERLINE DIM. TO LAYOUT		
REV. LTR: B	VERSION: 02	TDR: 000000419721
25E644W004G3	FILE: \CKA\00026\866	REVISED: 07:17:40 01/17/2007
	MTL: -	BY: CKRONSO

**BALDOR ELECTRIC Co.**

LY,25 B EXR TENV W\BASE (25E214W004G3)

CD0005A05



- NOTES:
1. INTERCHANGE ANY TWO LINE LEADS TO REVERSE ROTATION.
  2. OPTIONAL THERMOSTATS ARE PROVIDED WHEN SPECIFIED.
  3. ACTUAL NUMBER OF INTERNAL PARALLEL CIRCUITS MAY BE A MULTIPLE OF THOSE SHOWN ABOVE.
  4. LEAD COLORS ARE OPTIONAL. LEADS MUST ALWAYS BE NUMBERED AS SHOWN.
  5. =MAGNET WIRE COIL END WITH I.D. NUMBER.
  6. =MAGNET WIRE COIL END WITH I.D. SYMBOL.
  7. SEE CW PRINT FOR NEST TO NEST CROSSOVER CONNECTIONS.

REV. DESC: ADD NEST NOTE			
REV. LTR: C	VERSION: 03	TDR: 000000445597	
CD0005A05	FILE: \CKA\00024\847	REVISED: 12:51:06 11/15/2007	
	MTL: -	BY: CKMICRO	

**BALDOR • DODGE • RELIANCE**

3PH, DV, 9 LEADS, CK

CD0005A05