

BALDOR® • RELIANCE

Product Information Packet

ELECTRIC MOTOR WHOLESAL.COM

GP12516

G.M. J16TA 90V DC 5:1 (GP12516)

Part Detail							
Revision:	F	Status:	PRD/A	Change #:		Proprietary:	No
Type:	DC	Prod. Type:		Elec. Spec:	24WGZ146	CD Diagram:	
Enclosure:	TENV	Mfg Plant:		Mech. Spec:		Layout:	
Frame:	K	Mounting:		Poles:	///	Created Date:	06-25-2007
Base:		Rotation:	R	Insulation:	F	Eff. Date:	04-26-2012
Field Type:		Literature:		Elec. Diagram:		Replaced By:	

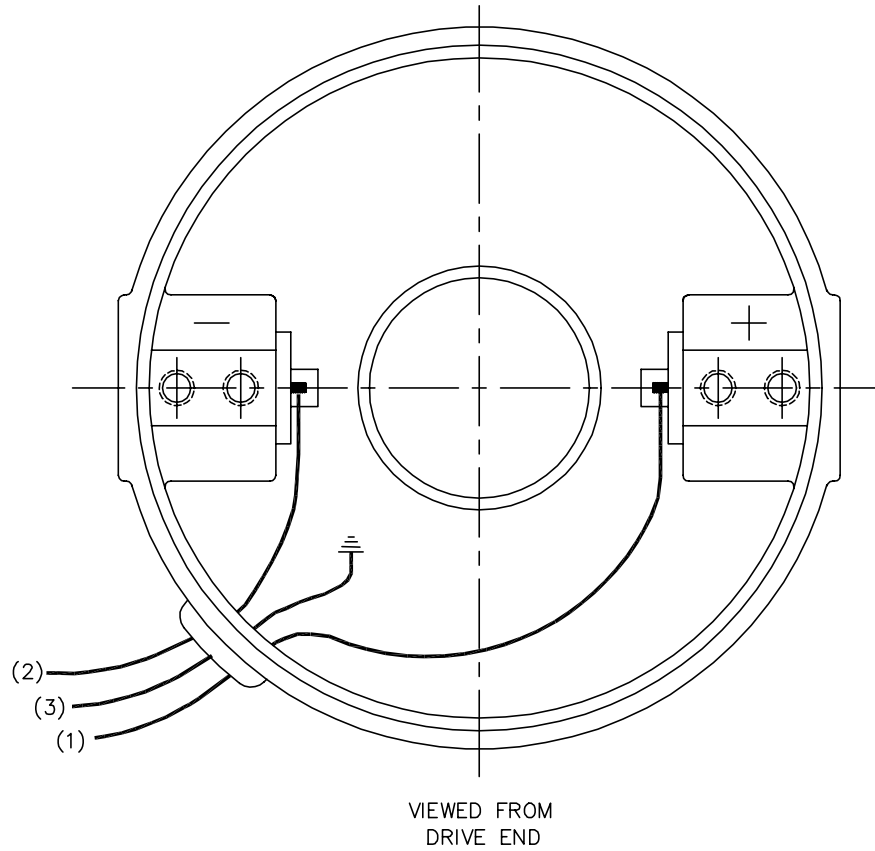
Nameplate NP1220A08			
CAT.NO.	GP12516		
SER.NO			
SPEC.	24A657Z146G4		
FRAME	K	TYPE	2416P
HP	.083	TE	
VOLTS	90		
AMP	.9		
F.F.	1.43	CLASS	F
AMB.	40	DUTY	CONT
BRUSHES	2/BP5052BP01		
R.P.M.	346		
TORQ/IN LB	10		
RATIO	5:1		
APRV-CE		APRV-CUL	

Parts List		
Part Number	Description	Quantity
SA162495	SA 24A657Z146G4	1.000 EA
AA013054	AA 24A657Z146G4	1.000 EA
SR001849	SR 24A657Z146G4	1.000 EA
LC0899A07	CONNECTION LABEL, DCPM CW ROTATION CE CO	1.000 EA
BP5052BP01SP	BRUSH, GRADE R884 NATIONAL CARBON (FOR 1	1.000 EA
24EP3106A04L	EP,24DC DE CL 6200 RA VERT. THRU BOLTS	1.000 EA
HW5002A45	RETAINING RING,WALDES TRUARC N5002-118	1.000 EA
HW4600D28	SEAL,10X20X4MM TCM #03907815PSCW	1.000 EA
24EP3102A01L	EP,24DC 0DE CL 0.63P4	1.000 EA
LD0110A04	ASM,CABLE 18-3 SJTO BR,BL,G/Y, 40"	1.000 EA
WD4102A01	STRN RELIEF HEYCO #1214/M.P. 23MPO6L10	1.000 EA
BP4529SP	BRUSH TUBE HOLDER:BBR1097	1.000 EA
BP4530SP	BRUSH TUBE CAP AE-57	1.000 EA
80XN1032A04	10-32 X 1/4 SET SCREW	2.000 EA
55XT0632G03	6-32 X 0.187 RD HD PHILLIPS, SERRATED	1.000 EA
HW5109A13	WASHER, WAVE SPRING FOR 26MM BORE SMALLE	1.000 EA
HA3100A32	THRUBOLT 10-32 X 5.500	2.000 EA
HG0048A01L	HSG,K EX	1.000 EA
RM1057	RUBBER SQUARE RING 1.424 I.D.	1.000 EA
19XN1032A12	SCREW, HEX WASHER HEAD, #10-32 X .750	2.000 EA
HA4021A05	1/16 NPSF-HX SOC PIPE PLUG TAPER DRY SEA	1.000 EA
HA1194B01	BLADDER,CJK EXPANSION	1.000 EA
15XM0632A06	SCREW, 6-32X .375, THREAD FORMING	3.000 EA
BS0141A01L	HSG,K CAP W/FOOT OPEN SNAP RING 2X .2	1.000 EA

Parts List (continued)		
Part Number	Description	Quantity
BG6203A01	6203 OPEN,C3,SLUSH	1.000 EA
19XN1032A09	SCREW, HEX WASHER HEAD, #10-32 X .563 W/	2.000 EA
HW5002A51	RET RING N5002 - 156 (WALDES) BEVELED 40	1.000 EA
HW4600D29	SEAL, TCM #060871SC-G (.625" X .875"	1.000 EA
RM1056	RUBBER SQUARE RING 2.739 I.D.	1.000 EA
15XM0832A10	SCREW, 8-32X .625, THREAD FORMING	4.000 EA
BMH1910	KEY 3/16X3/16X1 1/8 AUTO X	1.000 EA
BS0141A02L	HSG,K CAP W/FOOT CLOSED NO SNAP RING	1.000 EA
HW5109A05	WASHER, WAVE SPRING FOR 40MM BORE SMALLE	1.000 EA
RM1056	RUBBER SQUARE RING 2.739 I.D.	1.000 EA
15XM0832A10	SCREW, 8-32X .625, THREAD FORMING	4.000 EA
MJ1000B02	KLUB. GH6-460 GEAR OIL 1 LITER	0.033 GA
NP1220A08	NP,DC STD AD NONE V GEAR MOTOR CE CUL	1.000 EA
LB5040	INSTRUCTION TAG, AC & DC	1.000 EA
LB1171	LABEL CARTON 6X6 ON LINE BLANK ROLLS	1.000 EA
CPA1000	PACKING GROUP STD. SINGLE	1.000 EA
ME4000	.375-.75" DIA.#SW-04 WOVEN SHAFT PROTECT	0.080 FT

Accessories		
Part Number	Description	Multiplier
BC115	FRAC DC ANALOG,115AC,50/60HZ,1.5A,1	E9
BC138	KBWM-120 120VAC .25-HP SCR CTL, N	E9
BC140	CS2934A,120/240VAC .5/1-HP SCR CTL,NEMA	E9
BC140-FBR	W/FOR BRAKE REV SWITCH	E9
BC141	CHASSIS MOUNT FSCN 3000A20	E9
BR0180	PLUG IN RESISTOR	E9

CD1899



(1) COLOR MAY BE
RED
WHT
BLU

(2) COLOR MAY BE
BLK
BRN

(3) COLOR WHEN REQ.
GRN
GRN/YEL

VIEWED FROM
DRIVE END

REV. DESC: NEW			
REV. LTR: -	BY: PAW	REVISED: 09:06:34 09/16/2004	TDR: 341564
668100		FILE: CKA00025830	REF: CD1899
		MTL: -	

BALDOR ELECTRIC Co.

PM,2LD,REV,TANG,CK

CD1899