

BALDOR® • RELIANCE

Product Information Packet

ELECTRIC MOTOR WHOLESAL.COM

GP13532

G.M. J28TA 90V DC 20:1

Part Detail							
Revision:	L	Status:	PRD/A	Change #:		Proprietary:	No
Type:	DC	Prod. Type:		Elec. Spec:	24WZ055	CD Diagram:	CD1899
Enclosure:	TENV	Mfg Plant:		Mech. Spec:		Layout:	24A657Z055G3
Frame:	K	Mounting:		Poles:	///	Created Date:	01-09-2008
Base:		Rotation:	R	Insulation:	F	Eff. Date:	08-05-2015
Field Type:		Literature:		Elec. Diagram:		Replaced By:	

Nameplate NP1220A08			
CAT.NO.	GP13532		
SER.NO.			
SPEC.	24A657Z055G3		
FRAME	K	TYPE	2428P
HP	.17	TE	
VOLTS	90		
AMP	1.73		
F.F.	1.25	CLASS	F
AMB.	40	DUTY	CONT
BRUSHES	2/BP5052CC01		
R.P.M.	88		
TORQ/IN LB	88		
RATIO	20:1		
APRV-CE		APRV-CUL	

Parts List		
Part Number	Description	Quantity
SA167393	SA 24A657Z055G3	1.000 EA
AA013258	AA 24A657Z055G3	1.000 EA
SR001883	SR 24A657Z055G3	1.000 EA
LC0899A07	CONNECTION LABEL, DCPM CW ROTATION CE CO	1.000 EA
BP5052CC01	BRUSH, GRADE N1 'NATIONAL ELECTRICAL CA	2.000 EA
24EP3106A04L	EP,24DC DE CL 6200 RA VERT. THRU BOLTS	1.000 EA
HW5002A45	RETAINING RING,WALDES TRUARC N5002-118	1.000 EA
HW4600G58	SEAL,10X20X4MM PGS 25002184 VITON VT802	1.000 EA
HW4600G59	SEAL,.625" X .875" VITON VT802	1.000 EA
24EP3102A01L	EP,24DC 0DE CL 0.63P4	1.000 EA
LD0110A04	ASM,CABLE 18-3 SJTO BR,BL,G/Y, 40"	1.000 EA
WD4102A01	SR-6L-1 HEYCO STRN RELIEF OR 23MPO6L10 M	1.000 EA
BP4529SP	BRUSH TUBE HOLDER:BBR1097	1.000 EA
BP4530SP	BRUSH TUBE CAP:BBR1094	1.000 EA
80XN1032A04	10-32 X 1/4 SET SCREW	2.000 EA
55XT0632G03	6-32 X 0.187 RD HD PHILLIPS, SERRATED	1.000 EA
HW5109A13	WASHER, WAVE SPRING FOR 26MM BORE SMALLE	1.000 EA
HA3100A11	THRUBOLT 10-32 X 6.750	2.000 EA
HG0048A01L	HSG,K EX	1.000 EA
RM1057	RUBBER SQUARE RING 1.424 I.D.	1.000 EA
19XN1032A12	SCREW, HEX WASHER HEAD, #10-32 X .750	2.000 EA
HA4021A05	1/16 NPSF-HX SOC PIPE PLUG TAPER DRY SEA	1.000 EA
HA1194B01	BLADDER,CJK EXPANSION	1.000 EA
15XM0632A06	SCREW, 6-32X .375, THREAD FORMING	3.000 EA

Parts List (continued)		
Part Number	Description	Quantity
BS0141A01L	HSG,K CAP W/FOOT OPEN SNAP RING 2X .2	1.000 EA
BG6203A01	6203 OPEN,C3,SLUSH	1.000 EA
19XN1032A09	SCREW, HEX WASHER HEAD, #10-32 X .563 W/	2.000 EA
HW5002A51	RET RING N5002 - 156 (WALDES) BEVELED 40	1.000 EA
RM1056	RUBBER SQUARE RING 2.739 I.D.	1.000 EA
60XM0832A10	SCREW, PAN TORX 8-32X.625 THREAD FORMING	4.000 EA
60XM0832A10	SCREW, PAN TORX 8-32X.625 THREAD FORMING	4.000 EA
BMH1910	KEY 3/16X3/16X1 1/8 AUTO X	1.000 EA
BS0141A02L	HSG,K CAP W/FOOT CLOSED NO SNAP RING	1.000 EA
HW5109A05	WASHER, WAVE SPRING FOR 40MM BORE SMALLE	1.000 EA
RM1056	RUBBER SQUARE RING 2.739 I.D.	1.000 EA
MJ1000B02	KLUB. GH6-460 GEAR OIL 1 GALLON	0.033 GA
NP1220A08	NP,DC STD AD NONE V GEAR MOTOR CE CUL	1.000 EA
MN416A01	TAG-INSTAL-MAINT no wire (1200/bx) 11/14	1.000 EA
CPA1000	PACKING GROUP STD. SINGLE	1.000 EA
ME4000	.375-.75" DIA.#SW-04 WOVEN SHAFT PROTECT	0.080 FT

Accessories		
Part Number	Description	Multiplier
BC130	FRAC DC ANALOG,115AC,50/60HZ,3A,1	E9
BC138	3478# KBWM-120 CN3000A57	E9
BC140	CS2934A,120/240VAC .5/1-HP SCR CTL,NEMA	E9
BC140-FBR	3479G KBMD-240D w/FBR CN3000A54	E9
BC141	CHASSIS MOUNT FSCN CN3000A20	E9
BR0101	PLUG IN RESISTOR	E9

DC Motor Performance Data

Record # 2044 - Typical performance - not guaranteed values

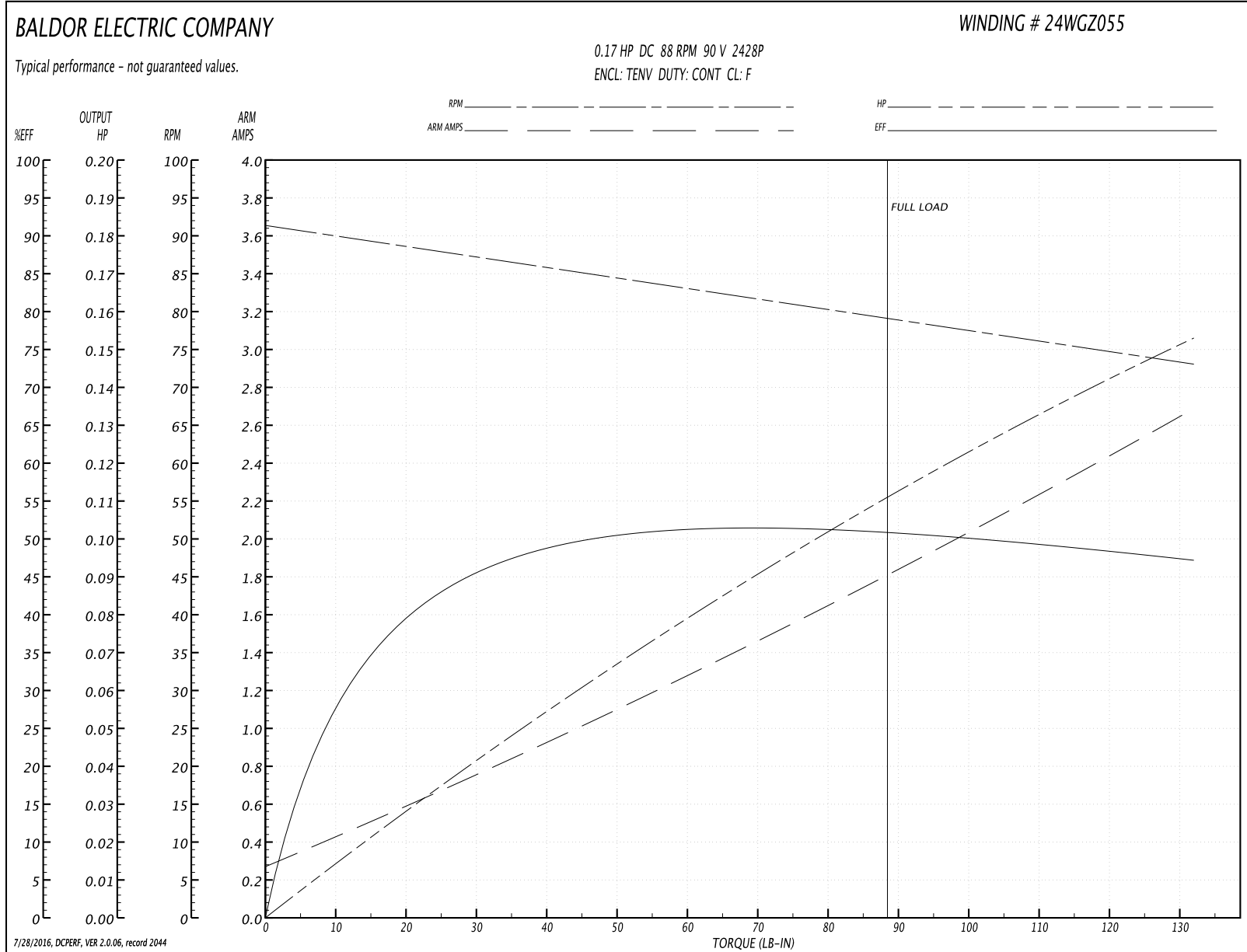
Winding: 24WGZ055-R004 Gear Type: RIGHTANGLE	Type: 2428P Gear Style: K	Enclosure: TENV Gear Ratio: 20:1
---	--	---

Nameplate Data		General Characteristics	
Rated Output (HP)	0.17	Armature Resistance @ 25°C	6.23 Ω
R.P.M.	88		
Armature Volts	90	Voltage Constant	48.3 v/krpm
Armature Amps	1.73		
Field Volts		Armature Inductance	23.7 mH
Field Amps		Armature Inertia	20.92 OI ²
Rating - Duty	40C AMB-CONT		
Form Factor	1.25	Maximum allowable inrush amps	16

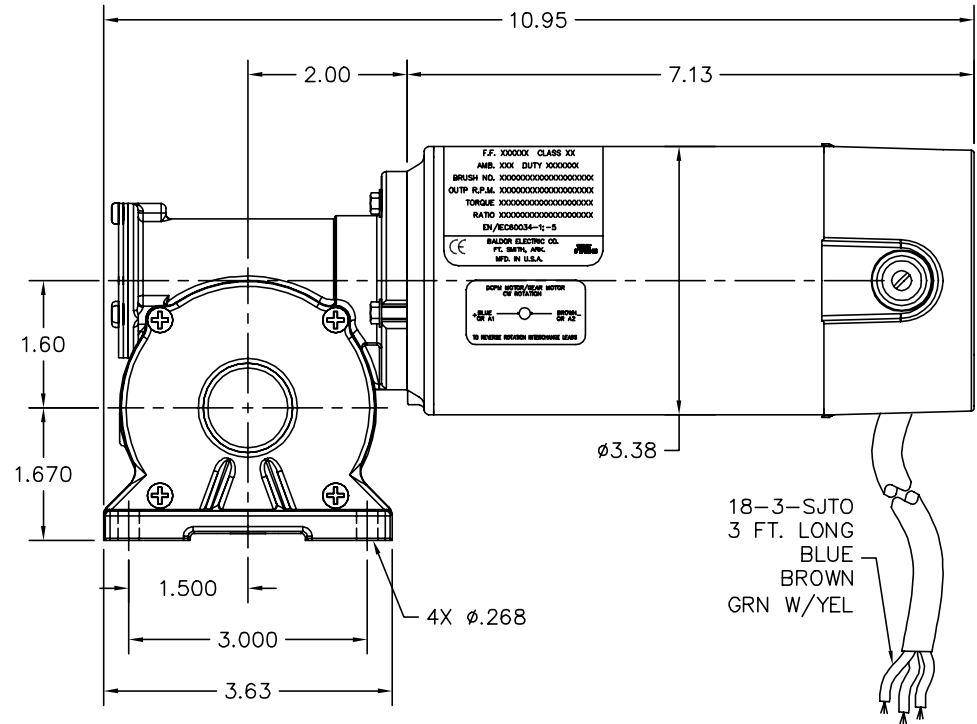
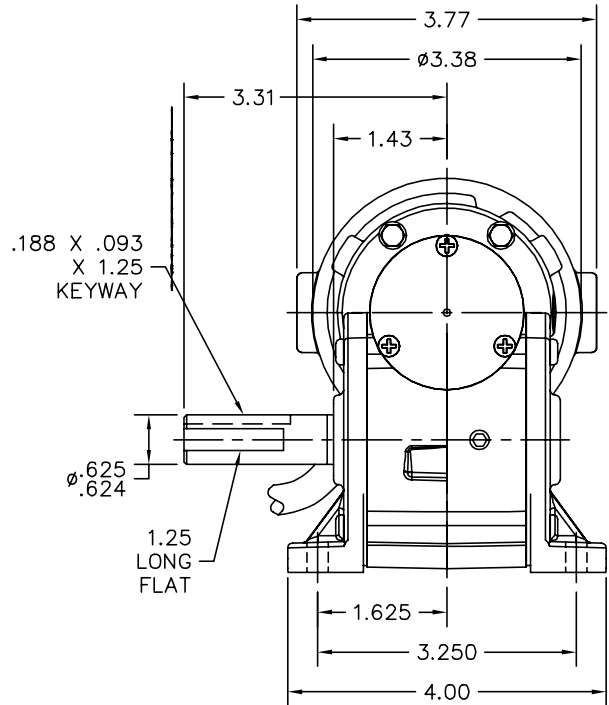
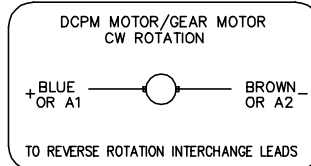
Load Characteristics at 90 Armature Volts

Load Point	1	2	3	4	5	6	7
Armature Amps	0.25	0.65	1.01	1.38	1.78	2.23	2.7
R.P.M.	91.4	88.1	85.2	82.4	79.5	76	72.9
Torque (LB-IN)	0	22	44	66	88	110	132

Performance Graph at 90.0 Arm V, 0.17HP Typical performance - Not guaranteed values



24A657Z055G3



CUSTOMER IS RESPONSIBLE FOR DETERMINING THAT BALDOR'S PRODUCT WILL PERFORM SUITABLY IN THE INTENDED APPLICATION.

REV. DESC: CHANGE OUTPUT SHAFT TOL TO .625/.624		
REV. LTR: B	VERSION: 02	TDR: 000000718348
FILE: \CKA\00033\581	REVISED: 10:22:24 10/27/2011	
MTL: -	BY: CKJASWO	

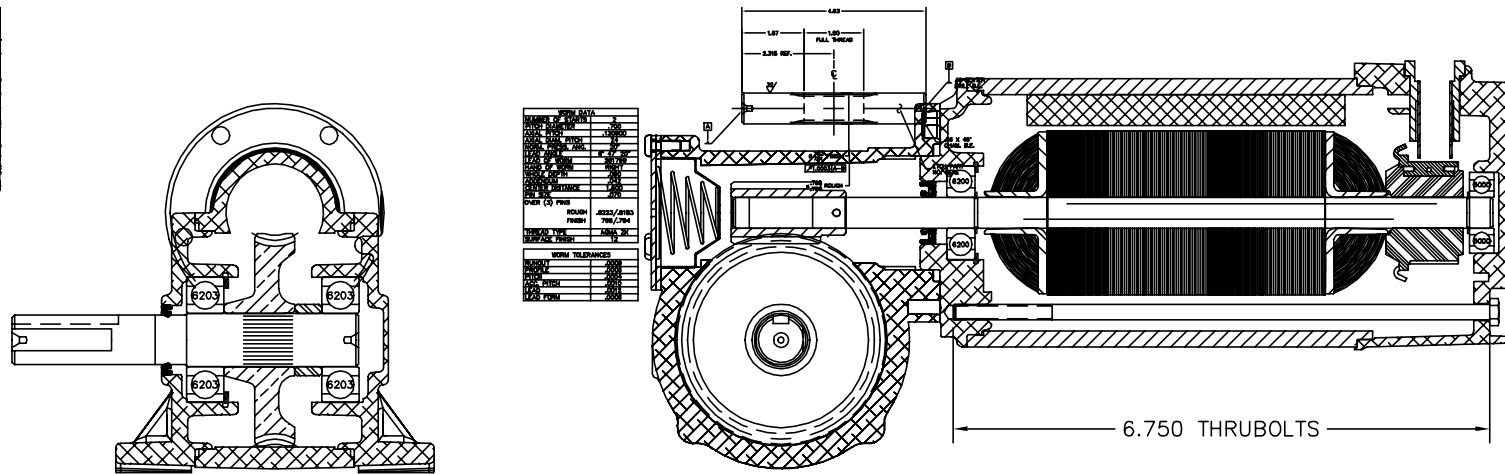
BALDOR

LY,24DC K DOM TENV GP .625 KEY & FLAT (GP13532)

SH 1 of 2

24A657Z055G3

24A657Z055G3



CUSTOMER IS RESPONSIBLE FOR DETERMINING THAT BALDOR'S PRODUCT WILL PERFORM SUITABLY IN THE INTENDED APPLICATION.

REV. DESC: CHANGE OUTPUT SHAFT TOL TO .625/.624		
REV. LTR: B	VERSION: 02	TDR: 000000718348
FILE: \CKA\00033\581	REVISED: 10:22:24 10/27/2011	
MTL: -	BY: CKJASWO	

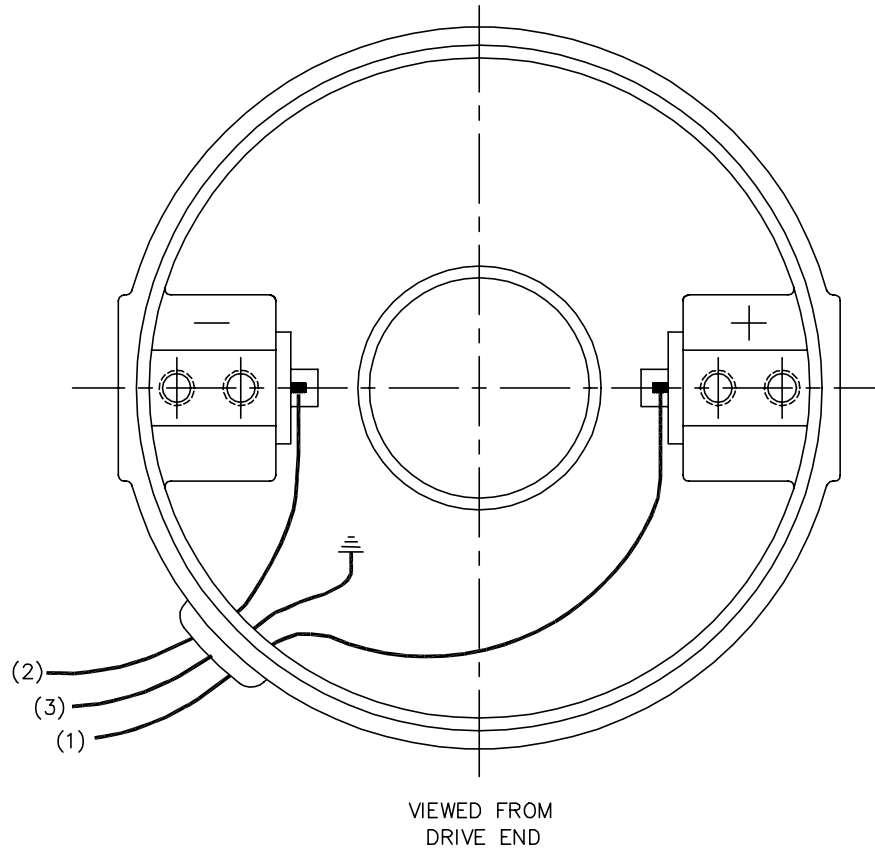
BALDOR

LY,24DC K DOM TENV GP .625 KEY & FLAT (GP13532)

SH 2 of 2

24A657Z055G3

CD1899



(1) COLOR MAY BE
RED
WHT
BLU

(2) COLOR MAY BE
BLK
BRN

(3) COLOR WHEN REQ.
GRN
GRN/YEL

VIEWED FROM
DRIVE END

REV. DESC: NEW			
REV. LTR: -	BY: PAW	REVISED: 09:06:34 09/16/2004	TDR: 341564
668100		FILE: CKA00025830	REF: CD1899
		MTL: -	

BALDOR ELECTRIC Co.

PM,2LD,REV,TANG,CK

CD1899