

BALDOR® • RELIANCE

Product Information Packet

ELECTRIC MOTOR WHOLESAL.COM

GP231001

1/17HP,2500RPM,DC,FTA-0,2314P,TENV,GM

Part Detail							
Revision:	AB	Status:	PRD/A	Change #:		Proprietary:	No
Type:	DC	Prod. Type:		Elec. Spec:	23WGZ005	CD Diagram:	
Enclosure:	TENV	Mfg Plant:		Mech. Spec:		Layout:	
Frame:	FTA	Mounting:		Poles:	///	Created Date:	
Base:		Rotation:		Insulation:	F	Eff. Date:	12-09-2011
Field Type:		Literature:		Elec. Diagram:		Replaced By:	

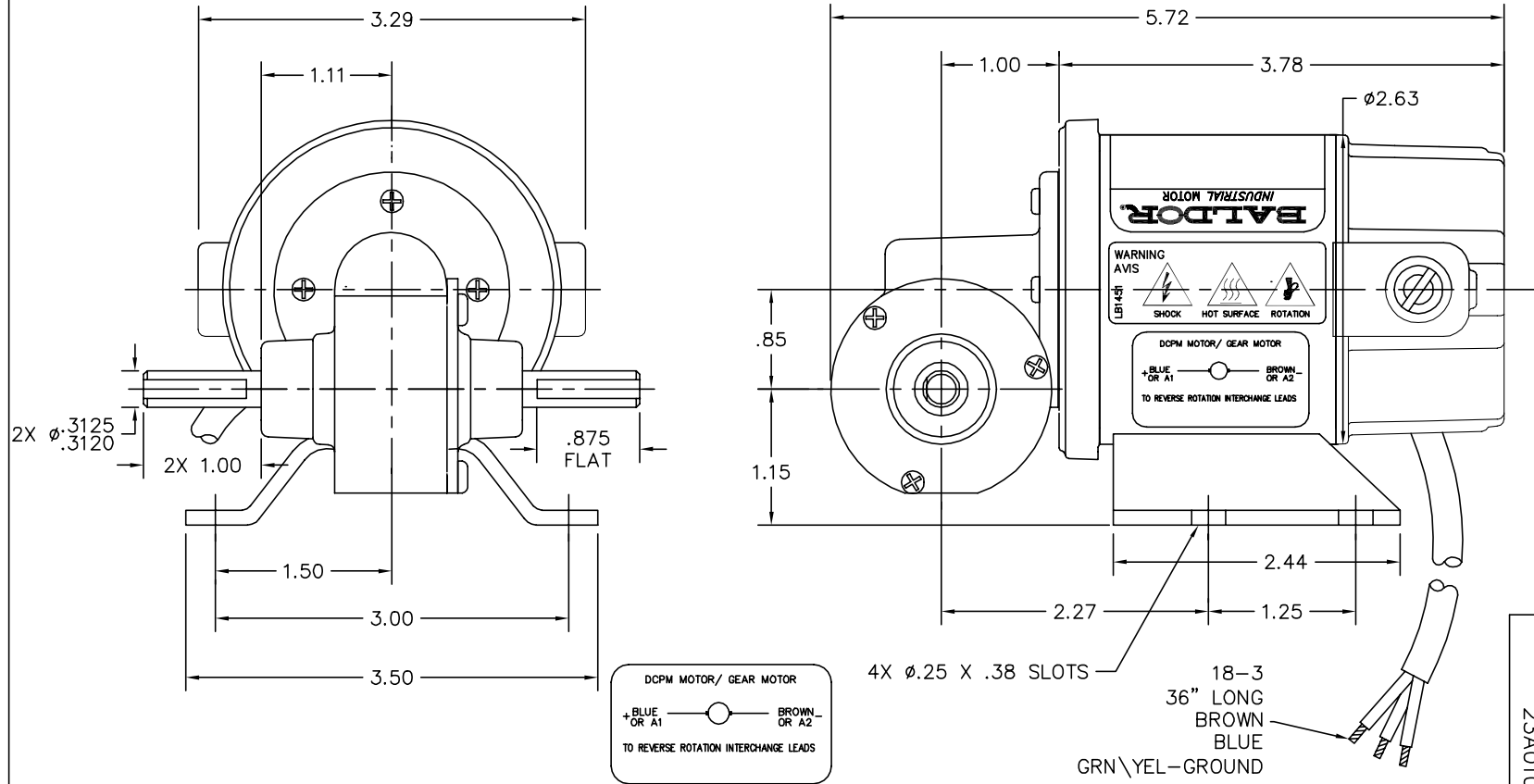
Nameplate NP1220A08			
CAT.NO.	GP231001		
SER.NO			
SPEC.	23A010Z005G1		
FRAME	FTA	TYPE	2314P
HP	1/17	TE	
VOLTS	90DC		
AMP	.62		
F.F.	1.60	CLASS	F
AMB.	40	DUTY	CONT
BRUSHES	2/BP5060BD02		
R.P.M.	312		
TORQ/IN LB	6		
RATIO	8:1		
APRV-CE		APRV-CUL	

Parts List		
Part Number	Description	Quantity
SA048868	SA 23A010Z005G1	1.000 EA
AA005501	AA 23A010Z005G1	1.000 EA
SR000259	SR 23A010Z005G1	1.000 EA
LC0899A06	CONNECTION LABEL, DCPM NO ROTATION CE CO	1.000 EA
BP5060BD02SP	CARBON BRUSH-1/8X3/16-CARBONE # BAL-22	1.000 EA
23BA4002L	23BA4002-BLACK POWDER COATED	1.000 EA
96XN1032A05	10-32X5/16 FLAT HD PHLPS DRV	2.000 EA
23EP3108A01L	EP,23DC ODE CL 0.63 P4	1.000 EA
HW5109A06	WASHER, WAVE SPRING FOR 22MM BORE SMALLE	1.000 EA
55XT0632G03	6-32 X 0.187 RD HD PHILLIPS, SERRATED	1.000 EA
23EP3101A03L	EP, 23DC DE CL 6200 RA 1.500 B.C. FTA	1.000 EA
WD4102A01	STRN RELIEF HEYCO #1214/M.P. 23MPO6L10	1.000 EA
80XN0632J03	SCREW, 6-32 X 3/16", SHS, AS	2.000 EA
BHG1253-001L	HOUSING, FTA GEAR HEAD	1.000 EA
BCG1121-001L	HOUSING, FTA GEAR CAP	1.000 EA
BH1161A01	BUSH .311X.439X.592(STERLING) BBG1	1.000 EA
MJ5001A13	LOCTITE #3D AVIATION FORM-A-GASKET,ITEM#	0.001 EA
BH1161A01	BUSH .311X.439X.592(STERLING) BBG1	1.000 EA
GS0006	GASKET "FTA" 1.438 I.D. BGA1212	1.000 EA
GS0005	GASKET "FTA" 1.250 I.D. BGA1210	1.000 EA
BMH1508	SCREW,BIND 6-32 X 3/8"	3.000 EA
BMH1507	6-32 X 1/2 BD/HD"W INTERNAL TOOTH WSHER	3.000 EA
HW4600D26	SEAL, TCM #031051VC (.312" X .500"	2.000 EA
HW1034A03	WASHER,BUNA N 1/2"X3/8"X 1/32"STD WASHER	1.000 EA

Parts List (continued)		
Part Number	Description	Quantity
HW5002A45	RETAINING RING,WALDES TRUARC N5002-118	1.000 EA
MJ1000A41	SYN-TECH GREASE NS-3508-G	0.010 LB
HA3170A09	THRUBOLT,FLAT HD. #8-32 THDS X 4.187 LON	2.000 EA
WM0094A03	WORM,FTA 8.0 .845 CD	1.000 EA
LD0110A29	ASM,CABLE 40 18-3 BRN,BLU,G/Y (4) 23F	1.000 EA
BP4515SP	BRUSH CAP #AE-51	1.000 EA
BP4517	BRUSH TUBE ASM	2.000 EA
LB5040	INSTRUCTION TAG, AC & DC	1.000 EA
LB1451	WARNING LABEL, CE WARNING SYMBOLS ONLY	1.000 EA
NP1220A08	NP,DC STD AD NONE V GEAR MOTOR CE CUL	1.000 EA
CPA1000	PACKING GROUP STD. SINGLE	1.000 EA
LB1171	LABEL CARTON 6X6 ON LINE BLANK ROLLS	1.000 EA

Accessories		
Part Number	Description	Multiplier
BC110	FRAC DC ANALOG,115AC,50/60HZ,1.0A,1	E9
BC138	KBWM-120 120VAC .25-HP SCR CTL, N	E9
BC140	CS2934A,120/240VAC .5/1-HP SCR CTL,NEMA	E9
BC140-FBR	W/FOR BRAKE REV SWITCH	E9
BC141	CHASSIS MOUNT FSCN 3000A20	E9
BR0251	PLUG IN RESISTOR	E9

23A010Z005G1



CUSTOMER IS RESPONSIBLE FOR DETERMINING THAT BALDOR'S PRODUCT WILL PERFORM SUITABLY IN THE INTENDED APPLICATION.

REV. DESC: NEW (REPLACES 23LYA010)		
REV. LTR: -	VERSION: 00	TDR: 000000724046
FILE: \CKA\00037\115		REVISED: 06: 48: 25 12/07/2011
MTL: -		BY: CKAPRBO

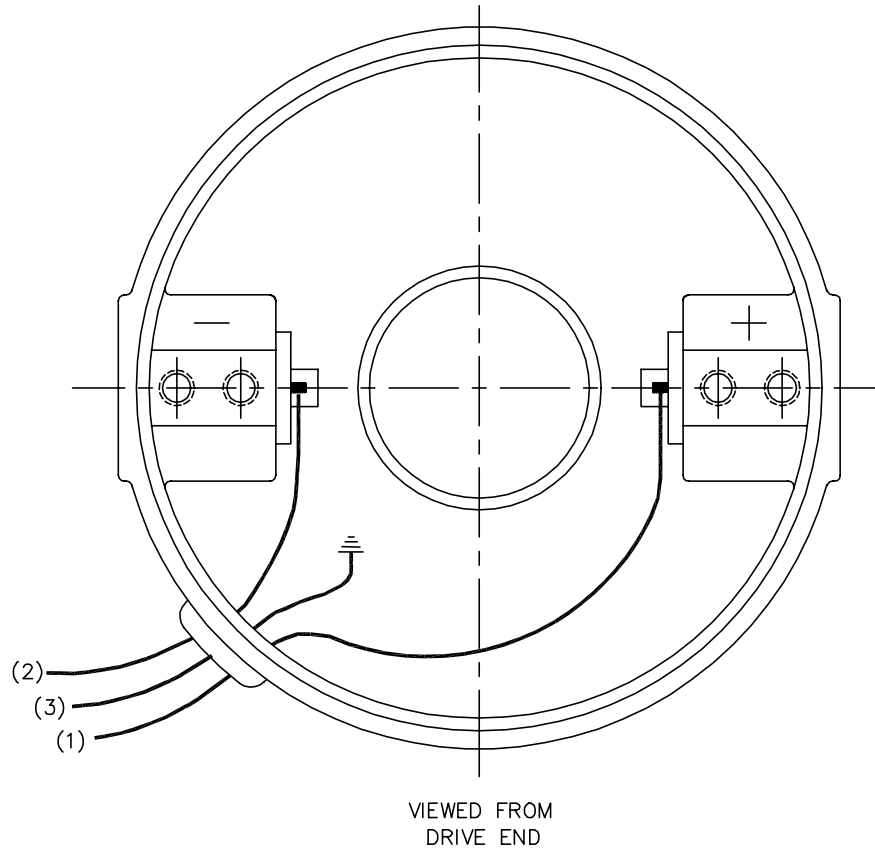
BALDOR • DODGE • RELIANCE

LAYOUT, 23 FRAME FTA GEARHEAD 2X .3125 X 1.00 EXT.

SH 1 of 1

23A010Z005G1

CD1899



(1) COLOR MAY BE
RED
WHT
BLU

(2) COLOR MAY BE
BLK
BRN

(3) COLOR WHEN REQ.
GRN
GRN/YEL

VIEWED FROM
DRIVE END

REV. DESC: NEW			
REV. LTR: -	BY: PAW	REVISED: 09:06:34 09/16/2004	TDR: 341564
668100		FILE: CKA00025830	REF: CD1899
		MTL: -	

BALDOR ELECTRIC Co.

PM,2LD,REV,TANG,CK

CD1899