

BALDOR® • RELIANCE

Product Information Packet

ELECTRIC MOTOR WHOLESAL.COM

GP231004

.04HP,DC,CB-0,2314P,TENV,GM

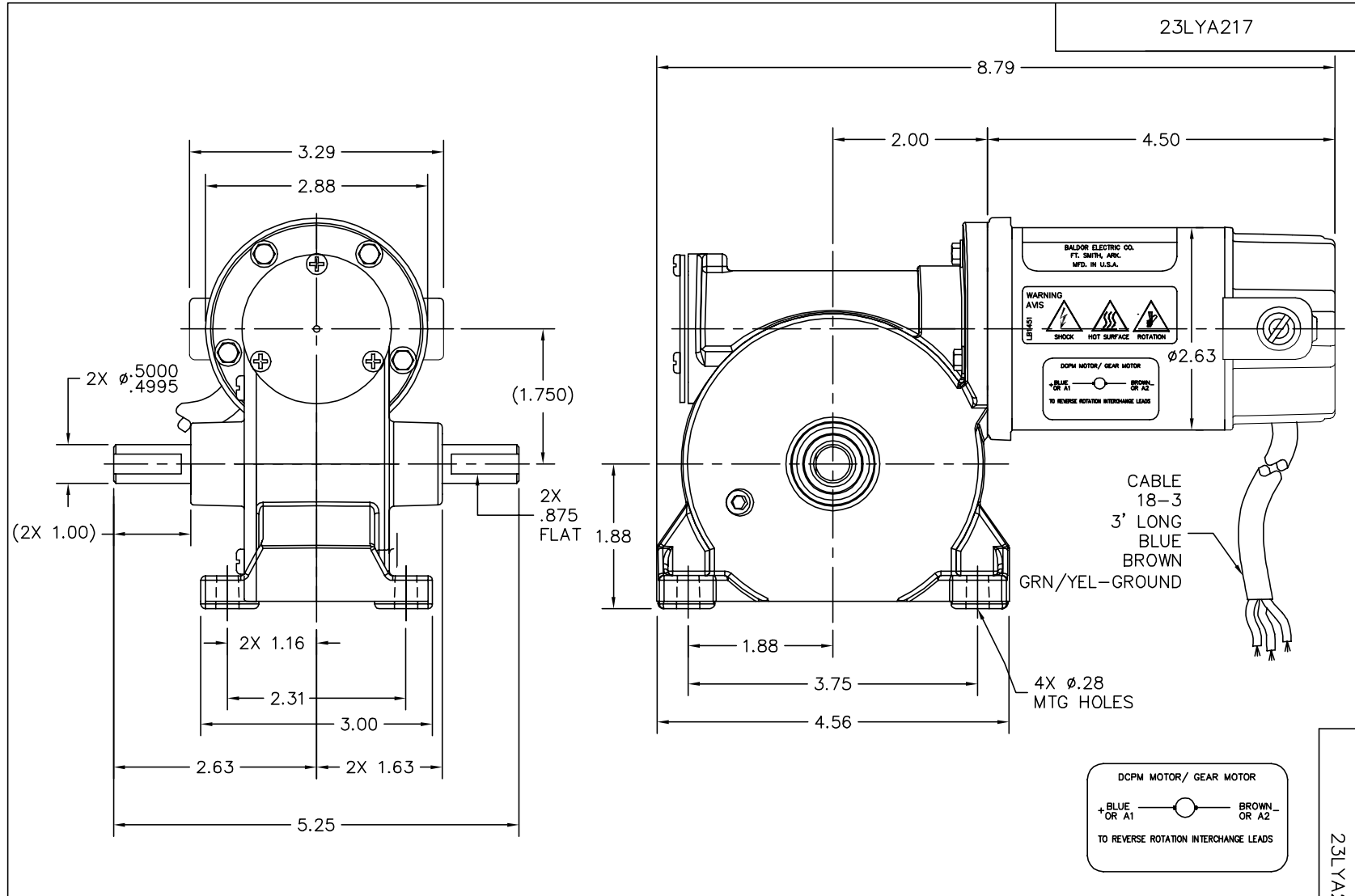
Part Detail							
Revision:	T	Status:	PRD/A	Change #:		Proprietary:	No
Type:	DC	Prod. Type:		Elec. Spec:	23WZ002	CD Diagram:	
Enclosure:	TENV	Mfg Plant:		Mech. Spec:		Layout:	
Frame:	CB	Mounting:		Poles:	///	Created Date:	
Base:		Rotation:		Insulation:	F	Eff. Date:	04-25-2012
Field Type:		Literature:		Elec. Diagram:		Replaced By:	

Nameplate NP1220A08			
CAT.NO.	GP231004		
SER.NO			
SPEC.	23A217Z002G2		
FRAME	CB	TYPE	2314P
HP	.04	TE	
VOLTS	90DC		
AMP	.53		
F.F.	1.35	CLASS	F
AMB.	40	DUTY	CONT
BRUSHES	2/BP5060BD02		
R.P.M.	22		
TORQ/IN LB	45		
RATIO	72:1		
APRV-CE		APRV-CUL	

Parts List		
Part Number	Description	Quantity
SA069875	SA 23A217Z002G2	1.000 EA
AA007102	AA 23A217Z002G2	1.000 EA
SR000567	SR 23A217Z002G2	1.000 EA
LC0899A06	CONNECTION LABEL, DCPM NO ROTATION CE CO	1.000 EA
BP5060BD02SP	CARBON BRUSH-1/8X3/16-CARBONE # BAL-22	1.000 EA
MJ5005A02	DYNA-WEIGHT COMPOUND BAL-1-FS,16#/KIT,	0.010 LB
23EP3108A01L	EP,23DC ODE CL 0.63 P4	1.000 EA
HW5109A06	WASHER, WAVE SPRING FOR 22MM BORE SMALLE	1.000 EA
55XT0632G03	6-32 X 0.187 RD HD PHILLIPS, SERRATED	1.000 EA
WD4102A01	STRN RELIEF HEYCO #1214/M.P. 23MPO6L10	1.000 EA
23EP3101A01L	EP,23DC DE CL 6200 RA 2.375	1.000 EA
HA3170A09	THRUBOLT,FLAT HD. #8-32 THDS X 4.187 LON	2.000 EA
80XN0632J03	SCREW, 6-32 X 3/16", SHS, AS	2.000 EA
HW5002A45	RETAINING RING,WALDES TRUARC N5002-118	1.000 EA
HW4600D28	SEAL,10X20X4MM TCM #03907815PSCW	1.000 EA
HG0041A01L	HSG,CB EX STD W/ BLACK POWDER COAT	1.000 EA
BCG4172-002L	BS,C OP .5941 W/ BLACK POWDWER COAT	1.000 EA
RM1020A21	O-RING,3.240 I.D. X .052 BUNA (PGS) BGA4	1.000 EA
BH1104	PAPZ0808-P14 SLEEVE BRG	1.000 EA
BH1104	PAPZ0808-P14 SLEEVE BRG	1.000 EA
HA1194B01	BLADDER,CJK EXPANSION	1.000 EA
15XM0632A06	SCREW, 6-32X .375, THREAD FORMING	3.000 EA
15XM0832A08	SCREW, 8-32X .500, THREAD FORMING	4.000 EA
19XN1032A09	SCREW, HEX WASHER HEAD, #10-32 X .563 W/	4.000 EA

Parts List (continued)		
Part Number	Description	Quantity
HW4600C29	SEAL, TCM #0507416 SCW .50X.75X.165 RB	1.000 EA
HW4600C29	SEAL, TCM #0507416 SCW .50X.75X.165 RB	1.000 EA
RM1057	RUBBER SQUARE RING 1.424 I.D.	1.000 EA
MJ1000B02	KLUB. GH6-460 GEAR OIL 1 LITER	0.030 GA
HA4021A05	1/16 NPSF-HX SOC PIPE PLUG TAPER DRY SEA	1.000 EA
BP4515SP	BRUSH CAP #AE-51	1.000 EA
WM0055A09	WORM,JC 72.0 INP	1.000 EA
LD0110A29	ASM,CABLE 40 18-3 BRN,BLU,G/Y (4) 23F	1.000 EA
BP4517	BRUSH TUBE ASM	2.000 EA
NP1220A08	NP,DC STD AD NONE V GEAR MOTOR CE CUL	1.000 EA
LB1451	WARNING LABEL, CE WARNING SYMBOLS ONLY	1.000 EA
LB5040	INSTRUCTION TAG, AC & DC	1.000 EA
CPA1000	PACKING GROUP STD. SINGLE	1.000 EA
LB1171	LABEL CARTON 6X6 ON LINE BLANK ROLLS	1.000 EA

Accessories		
Part Number	Description	Multiplier
BC110	FRAC DC ANALOG,115AC,50/60HZ,1.0A,1	E9
BC138	KBWM-120 120VAC .25-HP SCR CTL, N	E9
BC140	CS2934A,120/240VAC .5/1-HP SCR CTL,NEMA	E9
BC140-FBR	W/FOR BRAKE REV SWITCH	E9
BC141	CHASSIS MOUNT FSCN 3000A20	E9
BR0250	PLUG IN RESISTOR	E9



CUSTOMER IS RESPONSIBLE FOR DETERMINING THAT BALDOR'S PRODUCT WILL PERFORM SUITABLY IN THE INTENDED APPLICATION.

REV. DESC: ADD NP, WARNING, AND CONNECTION LABEL.

REV. LTR: C	VERSION: 02	TDR: 000000740646
FILE: \CKA\00014\585	REVISED: 05:36:35 04/05/2012	
MTL: -	BY: CKAPRB0	

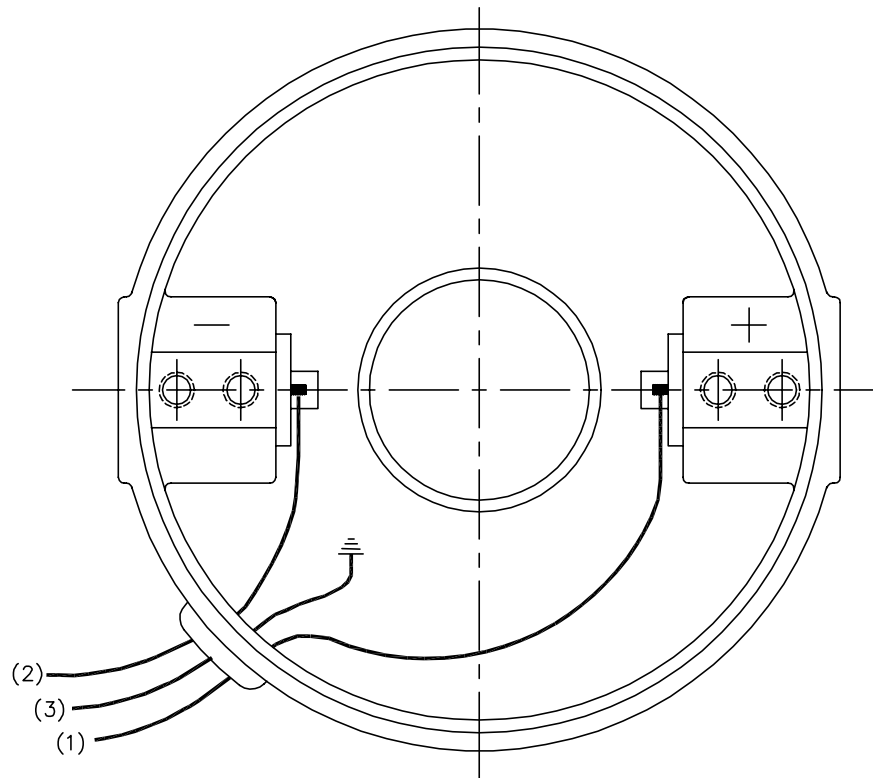
BALDOR • DODGE • RELIANCE

LAYOUT,23 CB TENV GP NONE .500 1.000 FLAT

SH 1 of 1

23LYA217

CD1899



(1) COLOR MAY BE
RED
WHT
BLU

(2) COLOR MAY BE
BLK
BRN

(3) COLOR WHEN REQ.
GRN
GRN/YEL

VIEWED FROM
DRIVE END

REV. DESC: NEW			
REV. LTR: -	BY: PAW	REVISED: 09:06:34 09/16/2004	TDR: 341564
668100		FILE: CKA00025830	REF: CD1899
		MTL: -	

BALDOR ELECTRIC Co.

PM,2LD,REV,TANG,CK

CD1899