

# **BALDOR® • RELIANCE**

**Product Information Packet**

**ELECTRIC MOTOR WHOLESAL.COM**

**GP231005**

**.11HP,1845RPM,DC,GNA-0,2308P,TENV,GM**

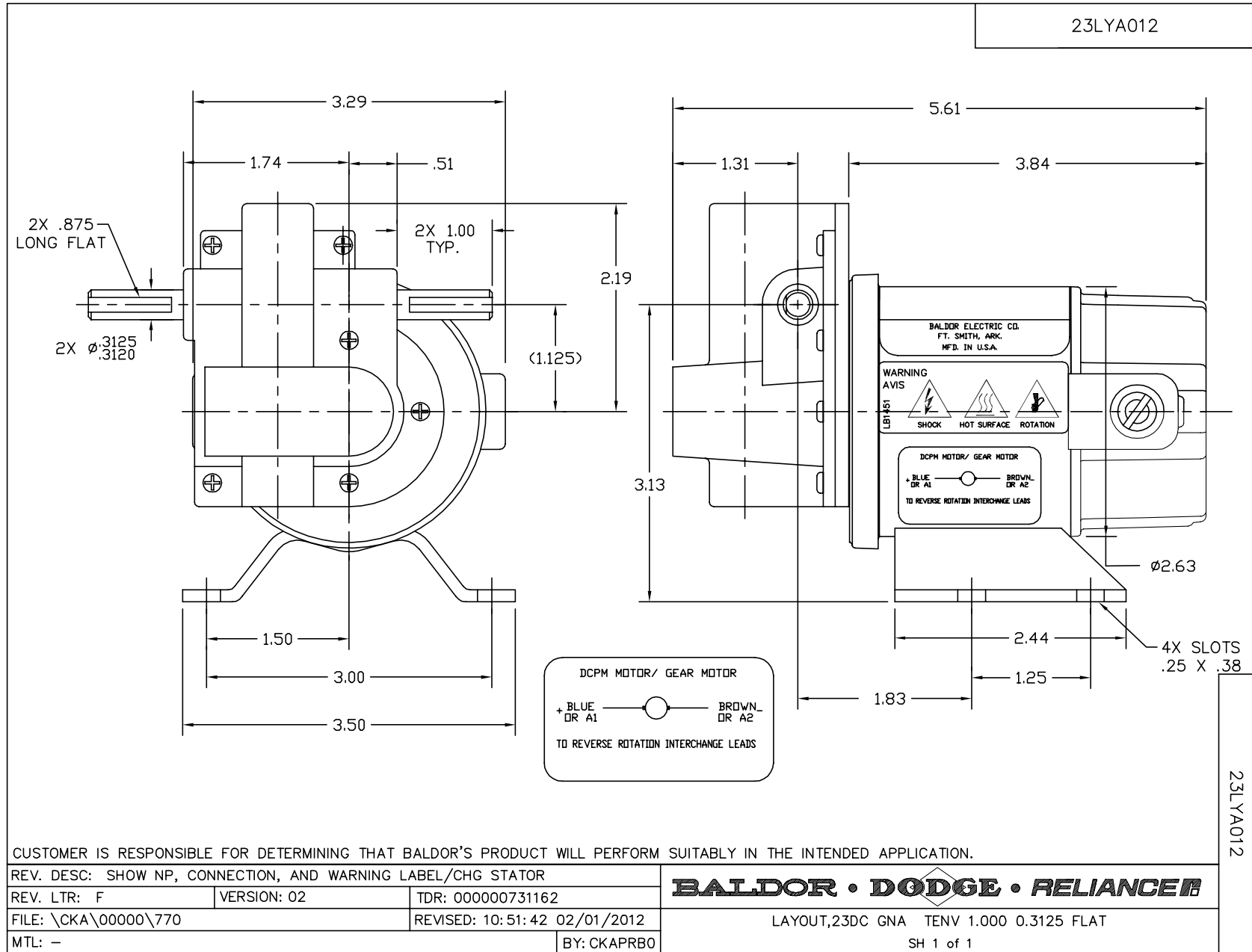
Part Detail							
Revision:	Z	Status:	PRD/A	Change #:		Proprietary:	No
Type:	DC	Prod. Type:		Elec. Spec:	23WGZ001	CD Diagram:	
Enclosure:	TENV	Mfg Plant:		Mech. Spec:		Layout:	
Frame:	GNA	Mounting:		Poles:	///	Created Date:	
Base:		Rotation:		Insulation:	F	Eff. Date:	02-03-2012
Field Type:		Literature:		Elec. Diagram:		Replaced By:	

Nameplate NP1220A08			
CAT.NO.	GP231005		
SER.NO			
SPEC.	23A012Z001G1		
FRAME	GNA	TYPE	2308P
HP	1/97	TE	
VOLTS	90		
AMP	.29		
F.F.	1.30	CLASS	F
AMB.	40	DUTY	CONT
BRUSHES	2/BP5060BD02		
R.P.M.	8.2		
TORQ/IN LB	15		
RATIO	225:1		
APRV-CE		APRV-CUL	

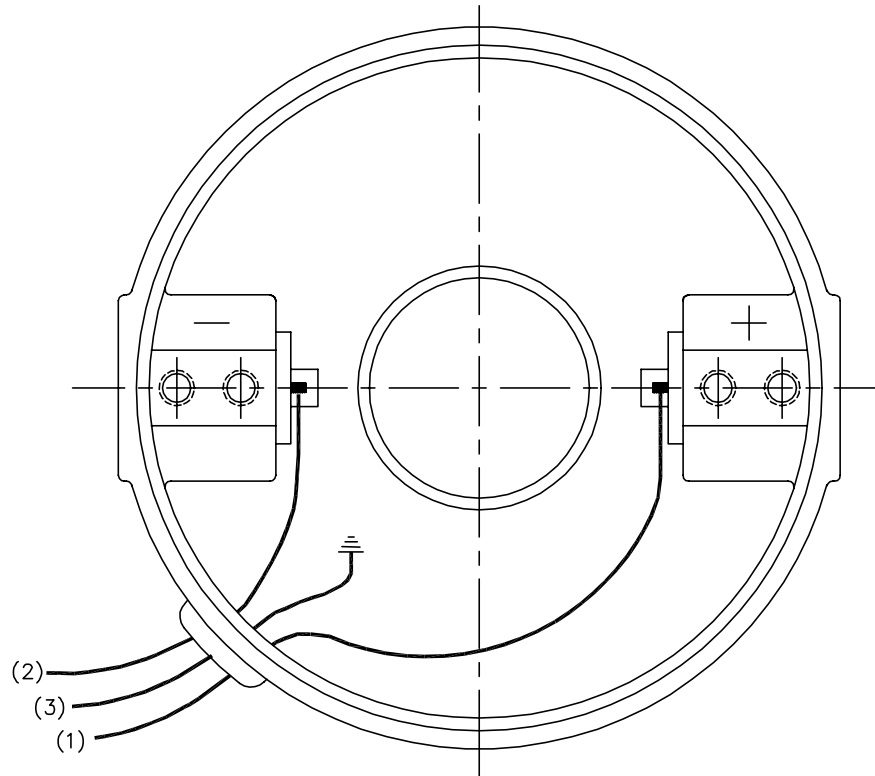
Parts List		
Part Number	Description	Quantity
SA048883	SA 23A012Z001G1	1.000 EA
AA005516	AA 23A012Z001G1	1.000 EA
SR000260	SR 23A012Z001G1	1.000 EA
WR000077	WR 23A012Z001G1	1.000 EA
LC0899A06	CONNECTION LABEL, DCPM NO ROTATION CE CO	1.000 EA
BP5060BD02SP	CARBON BRUSH-1/8X3/16-CARBONE # BAL-22	1.000 EA
23BA4002L	23BA4002-BLACK POWDER COATED	1.000 EA
96XN1032A05	10-32X5/16 FLAT HD PHLPS DRV	2.000 EA
23EP3108A01L	EP,23DC ODE CL 0.63 P4	1.000 EA
HW5109A06	WASHER, WAVE SPRING FOR 22MM BORE SMALLE	1.000 EA
55XT0632G03	6-32 X 0.187 RD HD PHILLIPS, SERRATED	1.000 EA
23EP3101A04L	ENDPLATE, 23 FRAME, WITH GNA MTG.	1.000 EA
WD4102A01	STRN RELIEF HEYCO #1214/M.P. 23MPO6L10	1.000 EA
80XN0632J03	SCREW, 6-32 X 3/16", SHS, AS	2.000 EA
HW5002A45	RETAINING RING,WALDES TRUARC N5002-118	1.000 EA
BHG1254-001L	HOUSING, GNA GEARHEAD	1.000 EA
BCG1255-001L	HOUSING, GNA GEARHEAD CAP	1.000 EA
BH1161A02	BRG,BUSH .250X.438X.410(STERLING) BBG1	3.000 EA
BH1161A01	BUSH .311X.439X.592(STERLING) BBG1	2.000 EA
GS0004	GASKET, 110-8 (EVERSEAL) FOR GNA TO HSG	1.000 EA
15XN0632A04	SCREW, 6/32 X 1/4" PAN, PHIL, M.S.	1.000 EA
BMH1507	6-32 X 1/2 BD/HD"W INTERNAL TOOTH WSHER	2.000 EA
15XN0632A20	SCREW,6-32 X 1 1/4" P/HD SLT/ZN BMH1502	1.000 EA
HA1074A02	SEALING WASHER,S.S.,#8 94709A112 MCMASTE	1.000 EA

Parts List (continued)		
Part Number	Description	Quantity
BMH1745	WASHER,PREC. 1/2"X.252"X.050"	2.000 EA
HW1034A01	WASHER,BUNA N9/16"X.312"X1/16"STD WASHER	1.000 EA
HW4600D26	SEAL, TCM #031051VC (.312" X .500"	2.000 EA
HA4032A02	STEEL CAP,.500"OD(WAS BSE1568)	2.000 EA
HW1034A03	WASHER,BUNA N 1/2"X3/8"X 1/32"STD WASHER	2.000 EA
GS0005	GASKET "FTA" 1.250 I.D. BGA1210	1.000 EA
MJ5001A13	LOCTITE #3D AVIATION FORM-A-GASKET,ITEM#	0.010 EA
MJ1000A41	SYN-TECH GREASE NS-3508-G	0.010 LB
HA3170A08	THRUBOLT,FLAT HD. #8-32 THDS X 3.437 LON	2.000 EA
WM0099A03	WORM,FTA 15.0 INP (.75 CD)	1.000 EA
LD0110A29	ASM,CABLE 40 18-3 BRN,BLU,G/Y (4) 23F	1.000 EA
BP4515SP	BRUSH CAP #AE-51	1.000 EA
BP4517	BRUSH TUBE ASM	2.000 EA
NP1220A08	NP,DC STD AD NONE V GEAR MOTOR CE CUL	1.000 EA
LB1451	WARNING LABEL, CE WARNING SYMBOLS ONLY	1.000 EA
LB5040	INSTRUCTION TAG, AC & DC	1.000 EA
CPA1000	PACKING GROUP STD. SINGLE	1.000 EA
LB1171	LABEL CARTON 6X6 ON LINE BLANK ROLLS	1.000 EA

Accessories		
Part Number	Description	Multiplier
BC110	FRAC DC ANALOG,115AC,50/60HZ,1.0A,1	E9
BC138	KBWM-120 120VAC .25-HP SCR CTL, N	E9
BC140	CS2934A,120/240VAC .5/1-HP SCR CTL,NEMA	E9
BC140-FBR	W/FOR BRAKE REV SWITCH	E9
BC141	CHASSIS MOUNT FSCN 3000A20	E9
BR1000	PLUG IN RESISTOR	E9



CD1899



(1) COLOR MAY BE  
RED  
WHT  
BLU

(2) COLOR MAY BE  
BLK  
BRN

(3) COLOR WHEN REQ.  
GRN  
GRN/YEL

VIEWED FROM  
DRIVE END

REV. DESC: NEW			
REV. LTR: -	BY: PAW	REVISED: 09:06:34 09/16/2004	TDR: 341564
668100		FILE: CKA00025830	REF: CD1899
		MTL: -	

**BALDOR ELECTRIC Co.**

PM,2LD,REV,TANG,CK

CD1899