

BALDOR® • RELIANCE

Product Information Packet

ELECTRIC MOTOR WHOLESAL.COM

GP233021

.06HP,DC,BA,2318P,TENV,GM

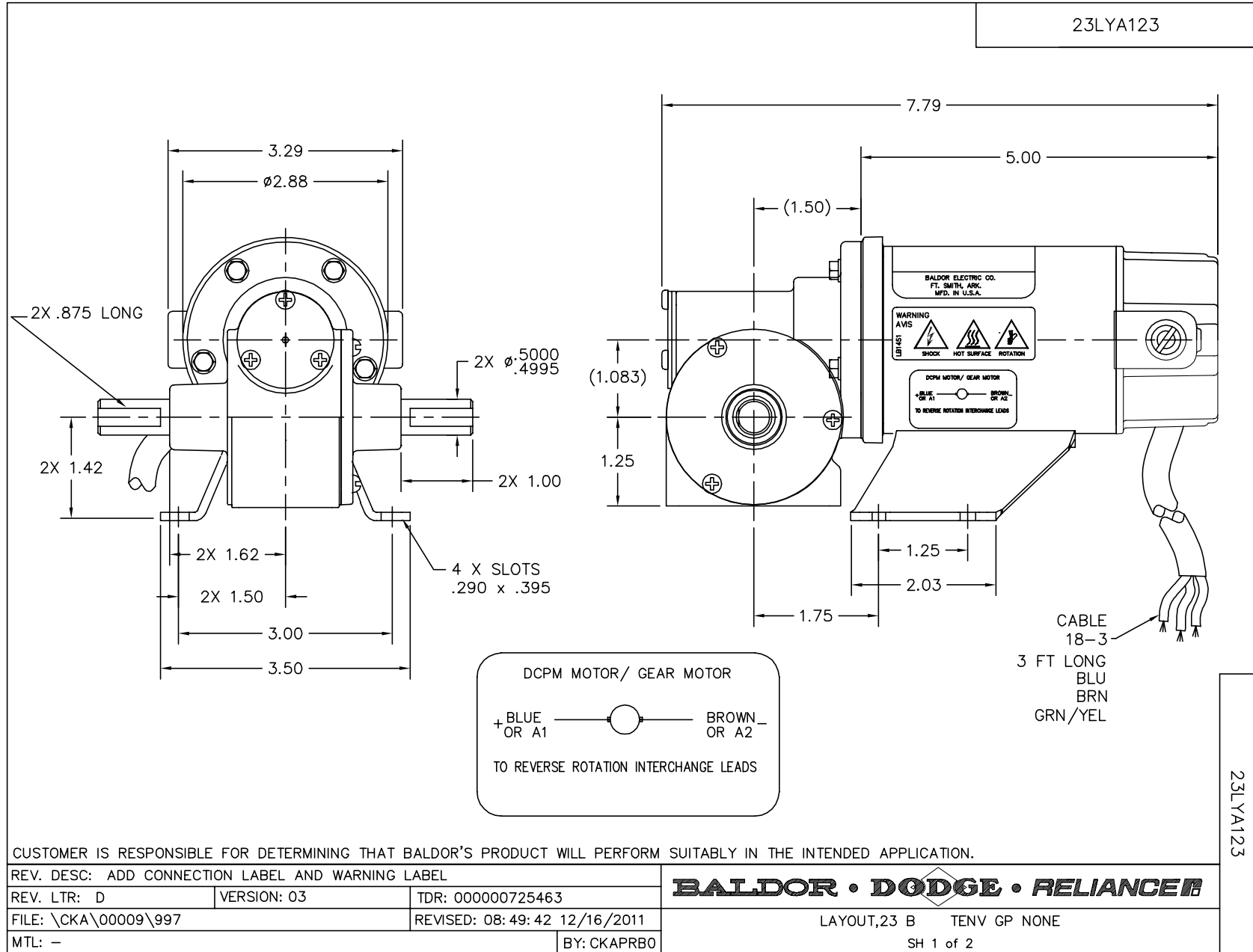
Part Detail							
Revision:	W	Status:	PRD/A	Change #:		Proprietary:	No
Type:	DC	Prod. Type:		Elec. Spec:	23WGZ004	CD Diagram:	
Enclosure:	TENV	Mfg Plant:		Mech. Spec:		Layout:	
Frame:	BA	Mounting:		Poles:	///	Created Date:	
Base:		Rotation:		Insulation:	F	Eff. Date:	12-20-2011
Field Type:		Literature:		Elec. Diagram:		Replaced By:	

Nameplate NP1220A08			
CAT.NO.	GP233021		
SER.NO			
SPEC.	23A123Z004G1		
FRAME	BA	TYPE	2318P
HP	.067	TE	
VOLTS	180DC		
AMP	.42		
F.F.	1.4	CLASS	F
AMB.	40	DUTY	CONT
BRUSHES	2/BP5060BF02		
R.P.M.	175		
TORQ/IN LB	17		
RATIO	10:1		
APRV-CE		APRV-CUL	

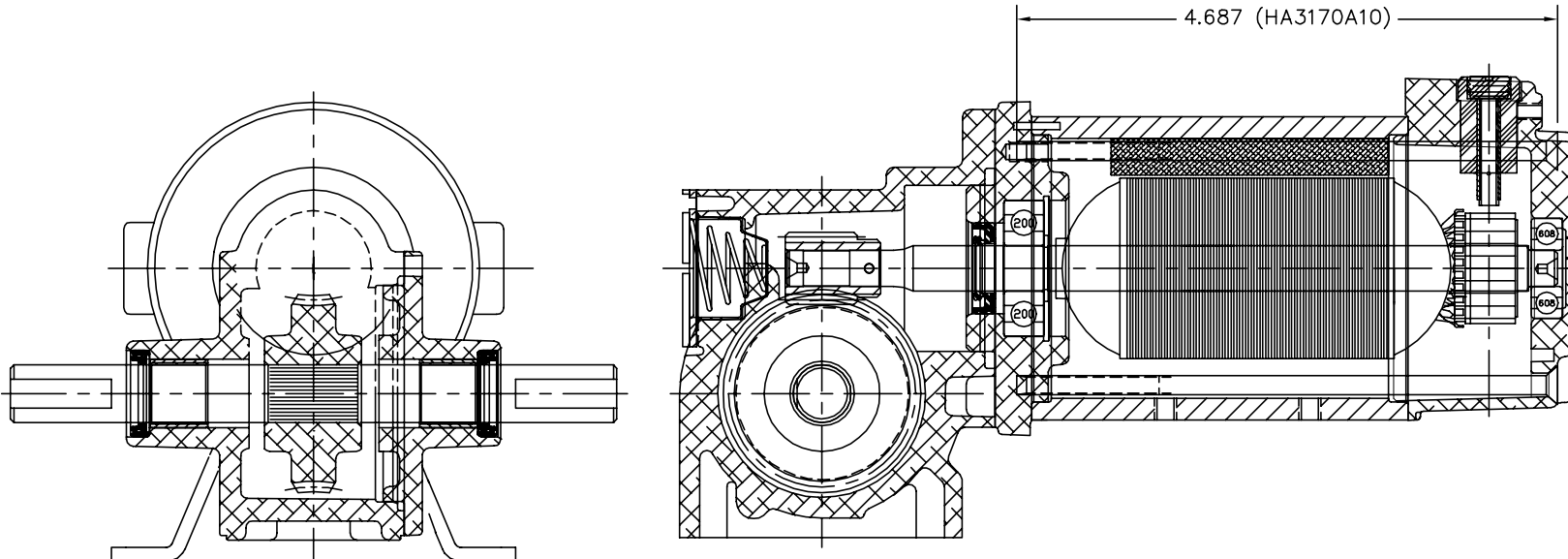
Parts List		
Part Number	Description	Quantity
SA053627	SA 23A123Z004G1	1.000 EA
AA006015	AA 23A123Z004G1	1.000 EA
SR000372	SR 23A123Z004G1	1.000 EA
LC0899A06	CONNECTION LABEL, DCPM NO ROTATION CE CO	1.000 EA
BP5060BF02SP	1/8X3/16 GRD A252 BRUSH CARBONE#BAL-40	1.000 EA
23BA4001L	23BA4001-PAINTED	1.000 EA
96XN1032A05	10-32X5/16 FLAT HD PHLPS DRV	2.000 EA
HW3022A04	PIN,ROLL 1/16" X 3/8" BMH1433	1.000 EA
HA4021A05	1/16 NPSF-HX SOC PIPE PLUG TAPER DRY SEA	1.000 EA
23EP3108A01L	EP,23DC ODE CL 0.63 P4	1.000 EA
HW5109A06	WASHER, WAVE SPRING FOR 22MM BORE SMALLE	1.000 EA
BG6200C03	6200 D.SH,C3,POLYREX EM	1.000 EA
BG6608C03	608 D.SH,C3,POLYREX EM	1.000 EA
55XT0632G03	6-32 X 0.187 RD HD PHILLIPS, SERRATED	1.000 EA
WD4102A01	STRN RELIEF HEYCO #1214/M.P. 23MPO6L10	1.000 EA
23EP3101A01L	EP,23DC DE CL 6200 RA 2.375	1.000 EA
MJ5082A02	ADHESIVE,KIT PERMABOND TA04592K002L0101	0.002 EA
HA3170A10	THRUBOLT,FLAT HD. #8-32 THDS X 4.687 LON	2.000 EA
80XN0632J03	SCREW, 6-32 X 3/16", SHS, AS	2.000 EA
HW5002A45	RETAINING RING,WALDES TRUARC N5002-118	1.000 EA
HW4600D28	SEAL,10X20X4MM TCM #03907815PSCW	1.000 EA
BHG5353-002L	HOUSING, B BOX GEAR HEAD	1.000 EA
BCG5490-001L	CAP, "B" BOX GEARHOUSING, MACH'D	1.000 EA
RM1057	RUBBER SQUARE RING 1.424 I.D.	1.000 EA

Parts List (continued)		
Part Number	Description	Quantity
19XN1032A09	SCREW, HEX WASHER HEAD, #10-32 X .563 W/	4.000 EA
BH1104	PAPZ0808-P14 SLEEVE BRG	1.000 EA
BH1104	PAPZ0808-P14 SLEEVE BRG	1.000 EA
HW4600C29	SEAL, TCM #0507416 SCW .50X.75X.165 RB	1.000 EA
HW4600C29	SEAL, TCM #0507416 SCW .50X.75X.165 RB	1.000 EA
RM1078	RUBBER SQUARE RING 1.864 I.D.	1.000 EA
15XM0832A08	SCREW, 8-32X .500, THREAD FORMING	3.000 EA
HA1194B02	BLADDER,BDE EXPANSION	1.000 EA
15XM0632A06	SCREW, 6-32X .375, THREAD FORMING	3.000 EA
MJ1000B02	KLUB. GH6-460 GEAR OIL 1 LITER	0.008 GA
MJ5019A01	ADHESIVE LOCTITE #680 WAS BAD4525	0.010 EA
NP1220A08	NP,DC STD AD NONE V GEAR MOTOR CE CUL	1.000 EA
LB1451	WARNING LABEL, CE WARNING SYMBOLS ONLY	1.000 EA
LD0110A29	ASM,CABLE 40 18-3 BRN,BLU,G/Y (4) 23F	1.000 EA
BP4515SP	BRUSH CAP #AE-51	1.000 EA
BP4517	BRUSH TUBE ASM	2.000 EA
WM0038A02	WORM,BE 10.0 INP 1.083 C.D.	1.000 EA
CPA1000	PACKING GROUP STD. SINGLE	1.000 EA
LB5040	INSTRUCTION TAG, AC & DC	1.000 EA
LB1171	LABEL CARTON 6X6 ON LINE BLANK ROLLS	1.000 EA

Accessories		
Part Number	Description	Multiplier
BC139	.25HP-230V/SCR CNTL,AC,HP RES REQ.	E9
BC140	CS2934A,120/240VAC .5/1-HP SCR CTL,NEMA	E9
BC140-FBR	W/FOR BRAKE REV SWITCH	E9
BC142	3HP-230V/ CHASSIS MOUNT/KBMM-225	E9
BR0350	PLUG IN RESISTOR	E9



23LYA123



CUSTOMER IS RESPONSIBLE FOR DETERMINING THAT BALDOR'S PRODUCT WILL PERFORM SUITABLY IN THE INTENDED APPLICATION.

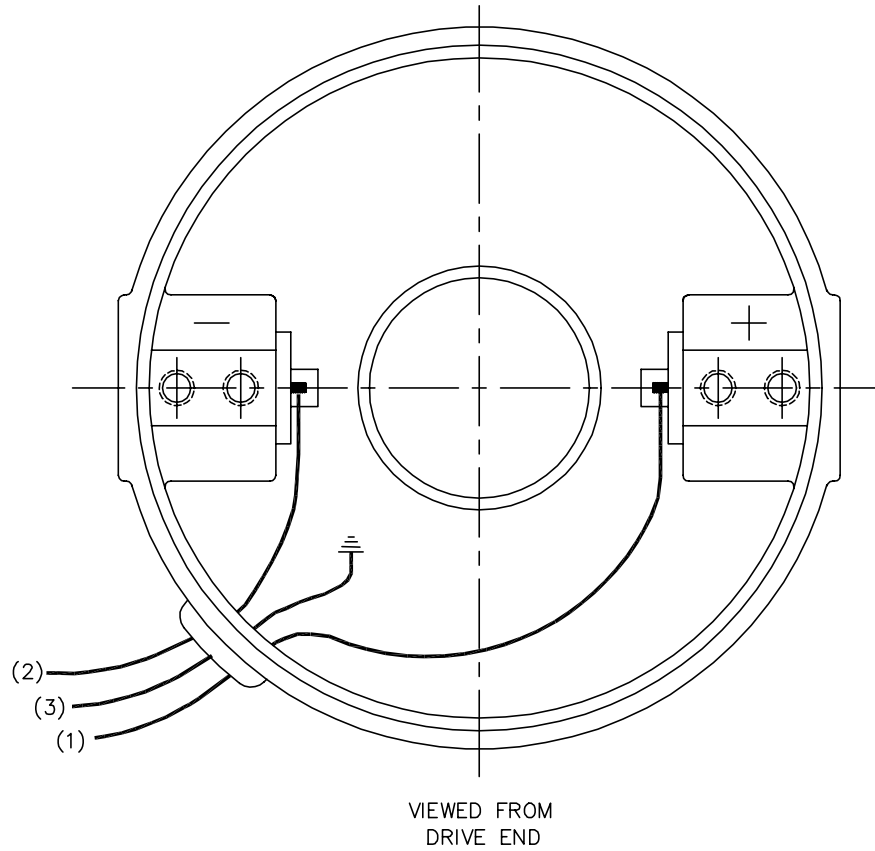
REV. DESC: ADD CONNECTION LABEL AND WARNING LABEL		
REV. LTR: D	VERSION: 03	TDR: 000000725463
FILE: \CKA\00009\997		REVISED: 08: 49: 43 12/16/2011
MTL: -		BY: CKAPRBO

BALDOR • DODGE • RELIANCE

LAYOUT,23 B TENV GP NONE
SH 2 of 2

23LYA123

CD1899



(1) COLOR MAY BE
RED
WHT
BLU

(2) COLOR MAY BE
BLK
BRN

(3) COLOR WHEN REQ.
GRN
GRN/YEL

VIEWED FROM
DRIVE END

REV. DESC: NEW			
REV. LTR: -	BY: PAW	REVISED: 09:06:34 09/16/2004	TDR: 341564
668100		FILE: CKA00025830	REF: CD1899
		MTL: -	

BALDOR ELECTRIC Co.

PM,2LD,REV,TANG,CK

CD1899