

BALDOR® • RELIANCE

Product Information Packet

ELECTRIC MOTOR WHOLESAL.COM

GP233029

.33HP,2705RPM,DC,DA-0,2314P,TENV,GM

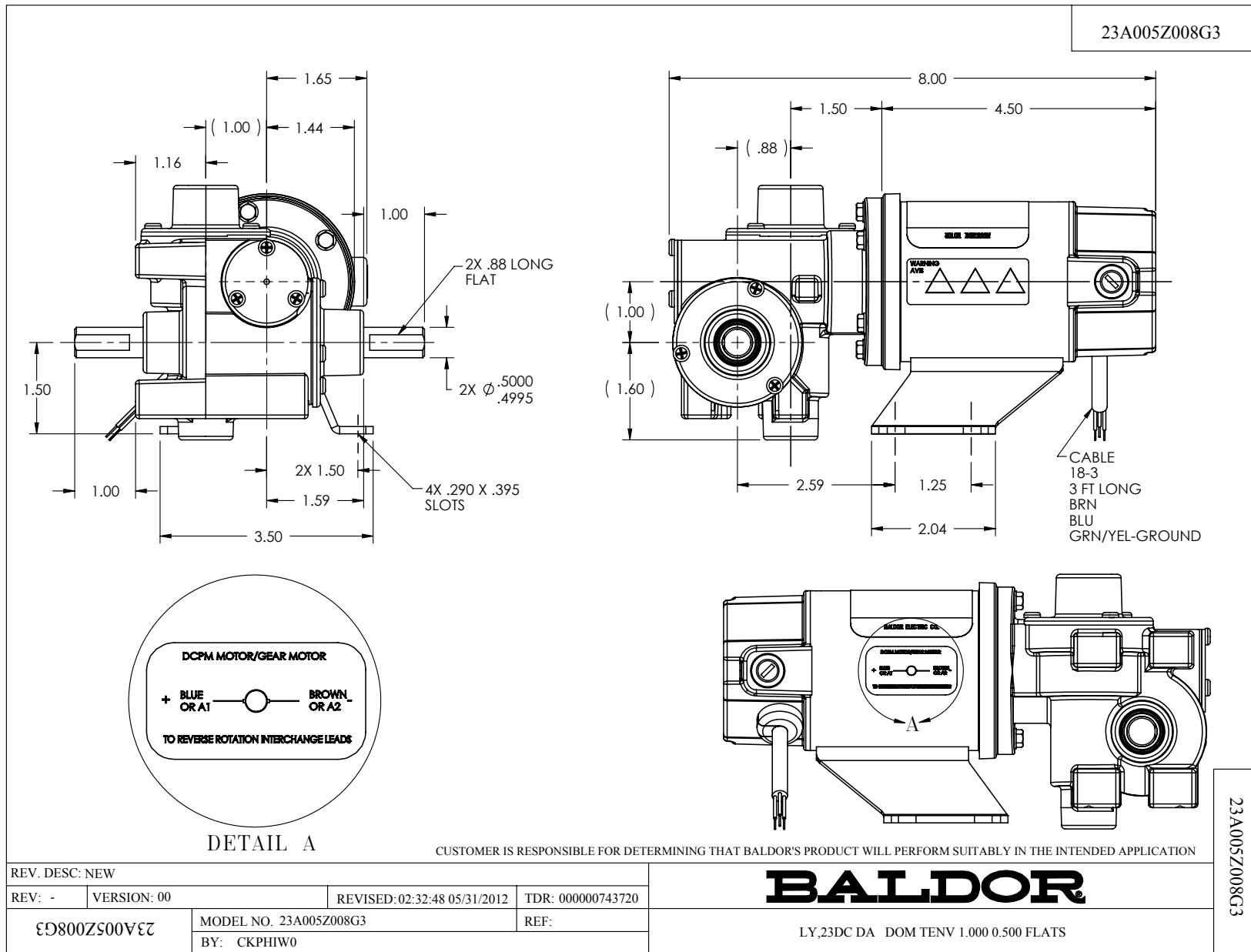
Part Detail							
Revision:	AD	Status:	PRD/A	Change #:		Proprietary:	No
Type:	DC	Prod. Type:		Elec. Spec:	23WGZ008	CD Diagram:	
Enclosure:	TENV	Mfg Plant:		Mech. Spec:		Layout:	
Frame:	DA	Mounting:		Poles:	///	Created Date:	
Base:		Rotation:		Insulation:	F	Eff. Date:	06-05-2012
Field Type:		Literature:		Elec. Diagram:		Replaced By:	

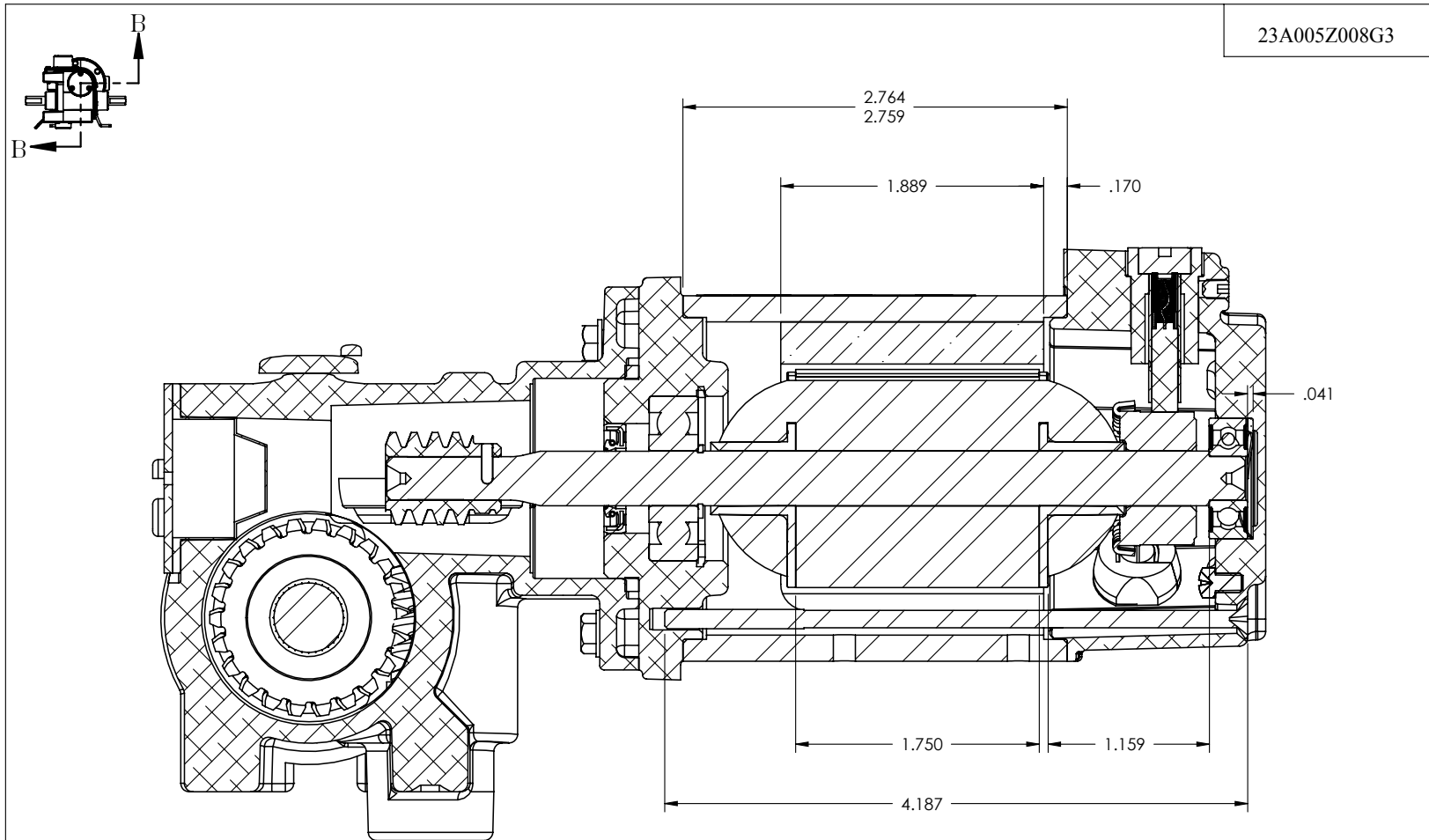
Nameplate NP1220A08			
CAT.NO.	GP233029		
SER.NO			
SPEC.	23A005Z008G3		
FRAME	DA	TYPE	2314P
HP	1/31	TE	
VOLTS	180DC		
AMP	.20		
F.F.	1.35	CLASS	F
AMB.	40	DUTY	CONT
BRUSHES	2/BP5060BF02		
R.P.M.	4.1		
TORQ/IN LB	75		
RATIO	660:1		
APRV-CE		APRV-CUL	

Parts List		
Part Number	Description	Quantity
SA048848	SA 23A005Z008G3	1.000 EA
AA005481	AA 23A005Z008G3	1.000 EA
SR000241	SR 23A005Z008G3	1.000 EA
WR000073	WR 23A005Z008G3	1.000 EA
LC0899A06	CONNECTION LABEL, DCPM NO ROTATION CE CO	1.000 EA
BP5060BF02SP	1/8X3/16 GRD A252 BRUSH CARBONE#BAL-40	1.000 EA
23EP3101A02L	EP,23DC DE CL 6200 RA 2.375	1.000 EA
HW5002A45	RETAINING RING,WALDES TRUARC N5002-118	1.000 EA
HW4600D28	SEAL,10X20X4MM TCM #03907815PSCW	1.000 EA
23SH0446B01	SH,ARM B 23 14	1.000 EA
23BA4001L	23BA4001-PAINTED	1.000 EA
96XN1032A05	10-32X5/16 FLAT HD PHLPS DRV	2.000 EA
23EP3108A01L	EP,23DC ODE CL 0.63 P4	1.000 EA
WD4102A01	STRN RELIEF HEYCO #1214/M.P. 23MPO6L10	1.000 EA
HW5109A06	WASHER, WAVE SPRING FOR 22MM BORE SMALLE	1.000 EA
55XT0632G03	6-32 X 0.187 RD HD PHILLIPS, SERRATED	1.000 EA
HG0058A02L	HSG,DA EX OPEN OUTPUT NO FEET HOLES	1.000 EA
19XN1032A09	SCREW, HEX WASHER HEAD, #10-32 X .563 W/	4.000 EA
RM1057	RUBBER SQUARE RING 1.424 I.D.	1.000 EA
HW4600C29	SEAL, TCM #0507416 SCW .50X.75X.165 RB	1.000 EA
BH1104	PAPZ0808-P14 SLEEVE BRG	2.000 EA
HA1194B02	BLADDER,BDE EXPANSION	1.000 EA
15XM0632A06	SCREW, 6-32X .375, THREAD FORMING	3.000 EA
BCG1123-005L	BS,D OP BUSHING	1.000 EA

Parts List (continued)		
Part Number	Description	Quantity
BH1104	PAPZ0808-P14 SLEEVE BRG	1.000 EA
HA4032A01	STEEL CAP, .750"OD(HERSHEYWAS BSE1567	1.000 EA
HW1034A02	WASHER,BUNA N 3/4"X9/16"X1/32"STD WASHER	1.000 EA
RM1020A51	O-RING -030 BUNA N70 COMPOUND	1.000 EA
15XM0632A06	SCREW, 6-32X .375, THREAD FORMING	3.000 EA
BMH5170	D & E INT SPACER\BRG PACK ALSO B OUTPUT	1.000 EA
BMH5171	D OUTPUT SPACER\BRG PACK	1.000 EA
BCG1123-005L	BS,D OP BUSHING	1.000 EA
BH1104	PAPZ0808-P14 SLEEVE BRG	1.000 EA
HW4600C29	SEAL, TCM #0507416 SCW .50X.75X.165 RB	1.000 EA
RM1020A51	O-RING -030 BUNA N70 COMPOUND	1.000 EA
15XM0632A06	SCREW, 6-32X .375, THREAD FORMING	3.000 EA
MJ1000A41	SYN-TECH GREASE NS-3508-G	0.030 LB
LD0110A29	ASM,CABLE 40 18-3 BRN,BLU,G/Y (4) 23F	1.000 EA
HA3170A09	THRUBOLT,FLAT HD. #8-32 THDS X 4.187 LON	2.000 EA
BP4515SP	BRUSH CAP #AE-51	1.000 EA
80XN0632J03	SCREW, 6-32 X 3/16", SHS, AS	2.000 EA
BP4517	BRUSH TUBE ASM	2.000 EA
LB5040	INSTRUCTION TAG, AC & DC	1.000 EA
LB1451	WARNING LABEL, CE WARNING SYMBOLS ONLY	1.000 EA
NP1220A08	NP,DC STD AD NONE V GEAR MOTOR CE CUL	1.000 EA
CPA1000	PACKING GROUP STD. SINGLE	1.000 EA
LB1171	LABEL CARTON 6X6 ON LINE BLANK ROLLS	1.000 EA

Accessories		
Part Number	Description	Multiplier
BC139	.25HP-230V/SCR CNTL,AC,HP RES REQ.	E9
BC140	CS2934A,120/240VAC .5/1-HP SCR CTL,NEMA	E9
BC140-FBR	W/FOR BRAKE REV SWITCH	E9
BC142	3HP-230V/ CHASSIS MOUNT/KBMM-225	E9
BR1000	PLUG IN RESISTOR	E9





23A005Z008G3

SECTION B-B

CUSTOMER IS RESPONSIBLE FOR DETERMINING THAT BALDOR'S PRODUCT WILL PERFORM SUITABLY IN THE INTENDED APPLICATION

REV. DESC: NEW			
REV: -	VERSION: 00	REVISED: 02:32:48 05/31/2012	TDR: 000000743720
23A005Z008G3	MODEL NO. 23A005Z008G3	REF:	
	BY: CKPHIW0		

BALDOR

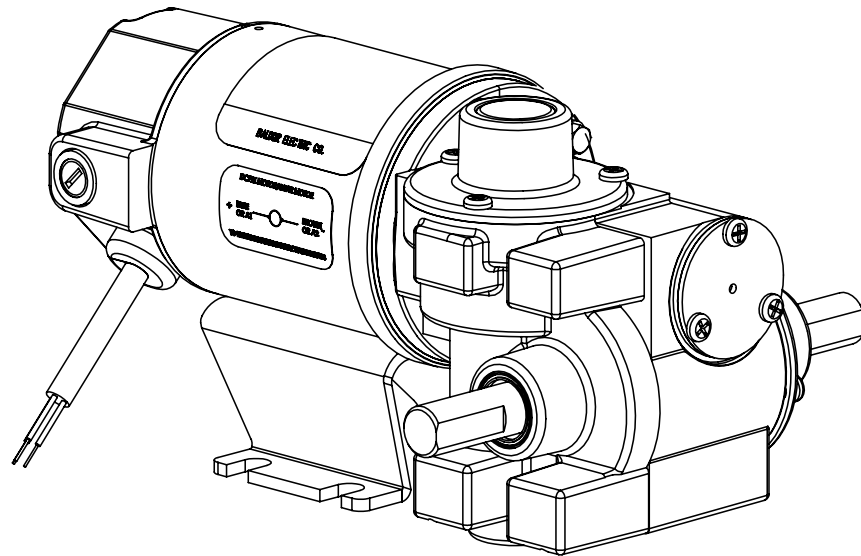
LY,23DC DA DOM TENV 1.000 0.500 FLATS

23A005Z008G3

ITEM NO.	PART NUMBER	QTY.
1	23EP3101A02	1
2	SKF - 6200 - 8,DE,NC,8_68	1
3	HW5002A45	1
4	HW4600D28	1
5	23SH0446B01	1
6	HW5060A23	1
7	23AA2014	1
8	BG6608C	1
9	WM0053A04	1
10	HW3082B05	1
11	23SB3000B19	1
12	PM1036A02	2
13	HW3022A04	1
14	23BA4001	1
15	96XN1032A05	2
16	23EP3108A01	1
17	HW5109A06	1
18	55XT0632G03	2
19	BP4517	2
20	80XN0632J03	2
21	BP5060-02	2
22	BP4515	2
23	WD4102A01	1
24	ld0111a01	1
25	HA3170A09	2
26	HG0058A02	1
27	19XN1032A09	4
28	RM1057	1
29	BH1104	3
30	HW4600C29	2
31	HA1194B02	1
32	15XM0632A06	9
33	BCG1123-005	2
34	HW1034A02	1
35	HA4032A01	1
36	RM1020A51	2
37	WM0078A05	1
38	BGE4343	1
39	BSG2743	1
40	BGE4609	1
41	HW5060A27	1
42	NP1220 23DC DOM	1
43	23DC_LC0899A06	1
44	LB1451	1

CUSTOMER IS RESPONSIBLE FOR DETERMINING THAT BALDOR'S PRODUCT WILL PERFORM SUITABLY IN THE INTENDED APPLICATION

23A005Z008G3



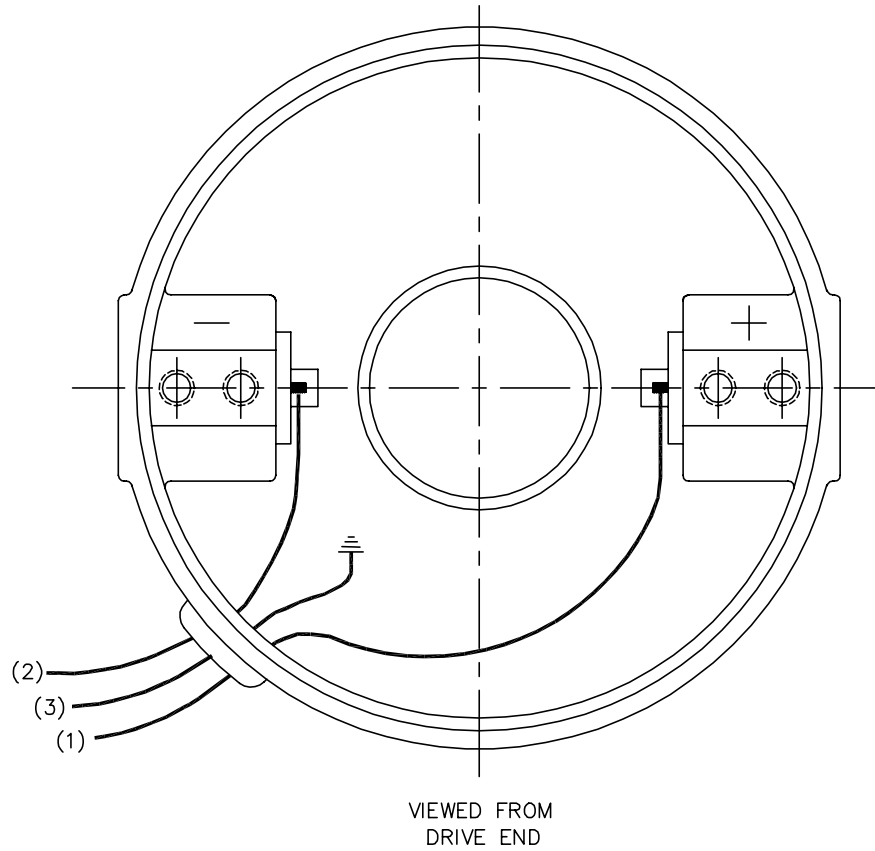
23A005Z008G3

REV. DESC: NEW			
REV: -	VERSION: 00	REVISED: 02:32:48 05/31/2012	TDR: 000000743720
MODEL NO. 23A005Z008G3		REF:	
BY: CKPHIW0			

BALDOR

LY,23DC DA DOM TENV 1.000 0.500 FLATS

CD1899



(1) COLOR MAY BE
RED
WHT
BLU

(2) COLOR MAY BE
BLK
BRN

(3) COLOR WHEN REQ.
GRN
GRN/YEL

VIEWED FROM
DRIVE END

REV. DESC: NEW			
REV. LTR: -	BY: PAW	REVISED: 09:06:34 09/16/2004	TDR: 341564
668100		FILE: CKA00025830	REF: CD1899
		MTL: -	

BALDOR ELECTRIC Co.

PM,2LD,REV,TANG,CK

CD1899