

BALDOR® • RELIANCE

Product Information Packet

ELECTRIC MOTOR WHOLESAL.COM

GP24120

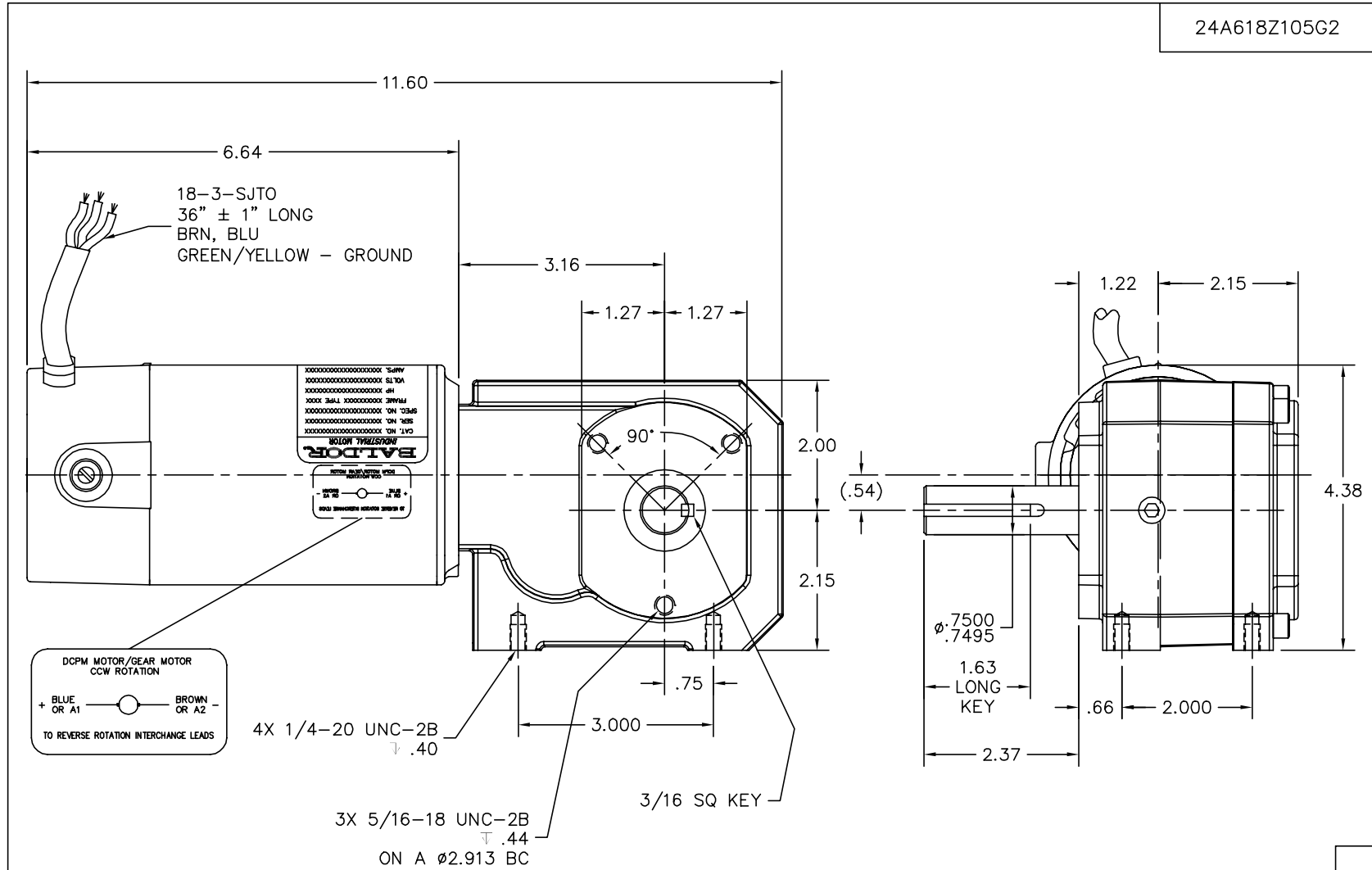
.25HP, DC, G-BOX WORM_HELICAL, TENV GM

Part Detail							
Revision:	M	Status:	PRD/A	Change #:		Proprietary:	No
Type:	DC	Prod. Type:		Elec. Spec:	24WGZ105	CD Diagram:	
Enclosure:	TENV	Mfg Plant:		Mech. Spec:		Layout:	
Frame:	G	Mounting:		Poles:	///	Created Date:	04-20-2006
Base:		Rotation:	R	Insulation:	F	Eff. Date:	07-19-2012
Field Type:		Literature:		Elec. Diagram:		Replaced By:	

Nameplate NP1220A08			
CAT.NO.	GP24120		
SER.NO			
SPEC.	24A618Z105G2		
FRAME	G	TYPE	2424P
HP	.13	TE	
VOLTS	90		
AMP	1.36		
F.F.	1.36	CLASS	F
AMB.	40	DUTY	CONT
BRUSHES	2/BP5052BP01		
R.P.M.	14		
TORQ/IN LB	280		
RATIO	120:1		
APRV-CE		APRV-CUL	

Parts List		
Part Number	Description	Quantity
SA148378	SA 24A618Z105G2	1.000 EA
AA012446	AA 24A618Z105G2	1.000 EA
LC0899A08	CONNECTION LABEL, DCPM CCW ROTATION CE C	1.000 EA
BP5052BP01SP	BRUSH, GRADE R884 NATIONAL CARBON (FOR 1	1.000 EA
24EP3107A12L	EP,24DC DE CL 6200 W/THRU HOLES FOR G	1.000 EA
HW5002A45	RETAINING RING,WALDES TRUARC N5002-118	1.000 EA
HW4600D28	SEAL,10X20X4MM TCM #03907815PSCW	1.000 EA
24EP3103A45L	EP,24DC ODE CL 0.63 P3R	1.000 EA
HW5109A13	WASHER, WAVE SPRING FOR 26MM BORE SMALLE	1.000 EA
80XN1032A04	10-32 X 1/4 SET SCREW	2.000 EA
BP4529SP	BRUSH TUBE HOLDER:BBR1097	1.000 EA
BP4530SP	BRUSH TUBE CAP AE-57	1.000 EA
55XT0632G03	6-32 X 0.187 RD HD PHILLIPS, SERRATED	1.000 EA
LD0110A15	ASM,CABLE 18-3 SJTO BR,BL,G/Y, 40"	1.000 EA
WD4102A01	STRN RELIEF HEYCO #1214/M.P. 23MPO6L10	1.000 EA
HA3100A10	THRUBOLT 10-32 X 6.250	2.000 EA
HG0074A04L	HSG,G MACHINED STD.	1.000 EA
HA4021A05	1/16 NPSF-HX SOC PIPE PLUG TAPER DRY SEA	1.000 EA
RM1057	RUBBER SQUARE RING 1.424 I.D.	1.000 EA
84XN1032J14	#10-32 X 7/8 SOC HD CAP BKOX	4.000 EA
MJ5004A35	ADHESIVE LOCTITE #243-31 50 ML	0.001 EA
SG0056A26	SHAFT,ASSY G INP 2RED 4.0/30.0	1.000 EA
HW5109A04	WASHER, SPLIT WAVE SPRING, FOR 32MM BORE	1.000 EA
SG0056A18	SHAFT,ASSY G OUTP 2RED 0.0/4.0	1.000 EA

Parts List (continued)		
Part Number	Description	Quantity
HW5109A10	WASHER, WAVE SPRING FOR 47MM BORE SMALLE	1.000 EA
HW3075J05	1/4 X 1/2 GROOVE PIN TYPE H	2.000 EA
CG0011A04L	HSG,CAP G MACHINED 3X 5/16-18 MOUNTING	1.000 EA
84XN2520J16	1/4-20 X 1 SOC HD CAP SCREW	6.000 EA
HW4600D39	SEAL, .750 X 1.250 X .250 SINGLE	1.000 EA
MJ1000B02	KLUB. GH6-460 GEAR OIL 1 LITER	0.050 GA
MJ5001A19	LOCTITE #598 ULTRA BLACK, 50 LB PAIL, IT	0.010 LB
HW2501D15	KEY, 3/16 X 1.625	1.000 EA
NP1220A08	NP,DC STD AD NONE V GEAR MOTOR CE CUL	1.000 EA
CPA1000	PACKING GROUP STD. SINGLE	1.000 EA
LB1171	LABEL CARTON 6X6 ON LINE BLANK ROLLS	1.000 EA
ME4000	.375-.75" DIA.#SW-04 WOVEN SHAFT PROTECT	0.125 FT

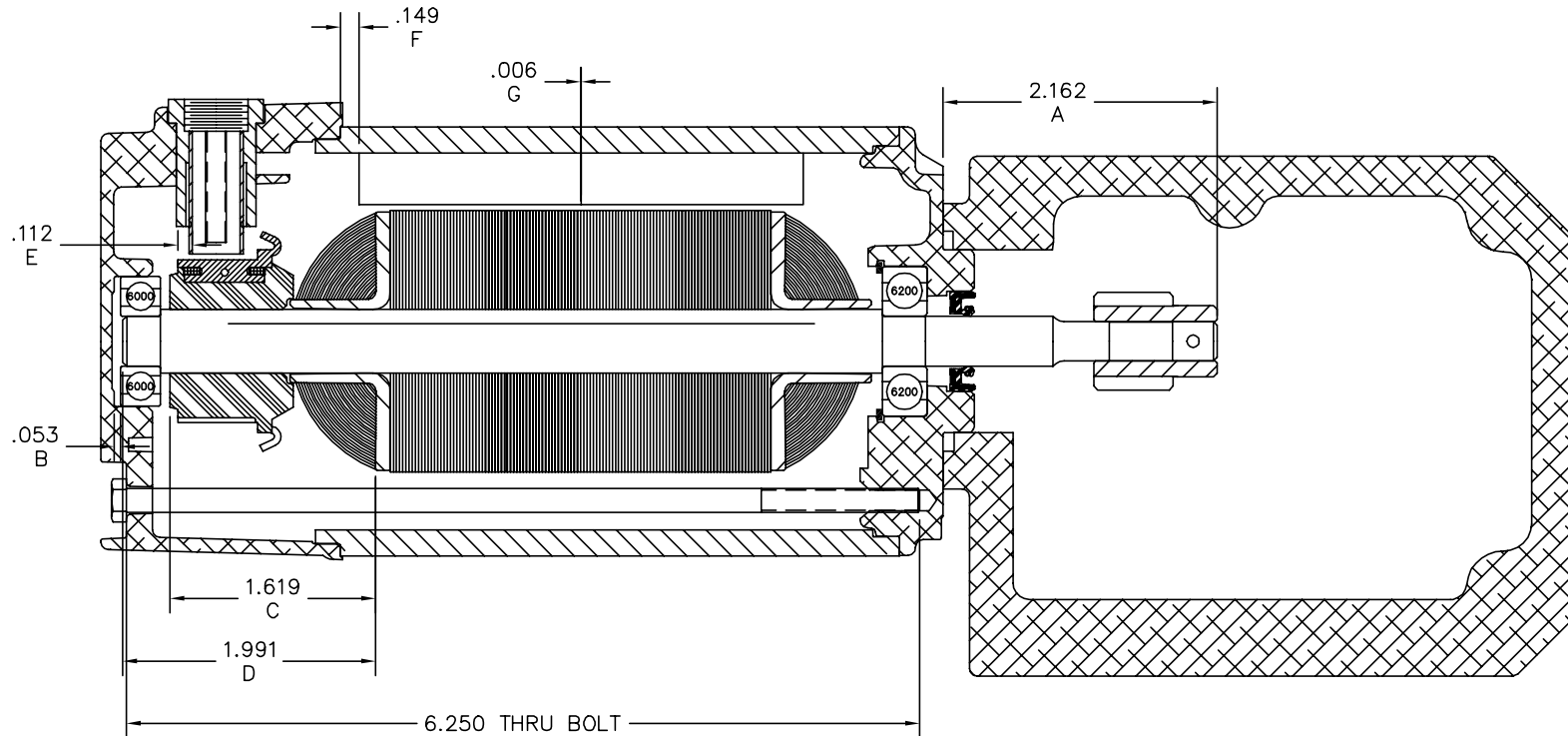


CUSTOMER IS RESPONSIBLE FOR DETERMINING THAT MOTOR PERFORMANCE IS SUITABLE IN THE APPLICATION.

REV. DESC: CHG LABEL VIEW			BALDOR • DODGE • RELIANCE	
REV. LTR: D	VERSION: 04	TDR: 000000454240		
24A618Z105G2	FILE: \CKA\00029\828	REVISED: 15:50:21 01/23/2008	LY,24DC GB DOM TENV	
	MTL: -	BY: CKGLEHO		

24A618Z105G2

24A618Z105G2



24A618Z105G2

CUSTOMER IS RESPONSIBLE FOR DETERMINING THAT MOTOR PERFORMANCE IS SUITABLE IN THE APPLICATION.

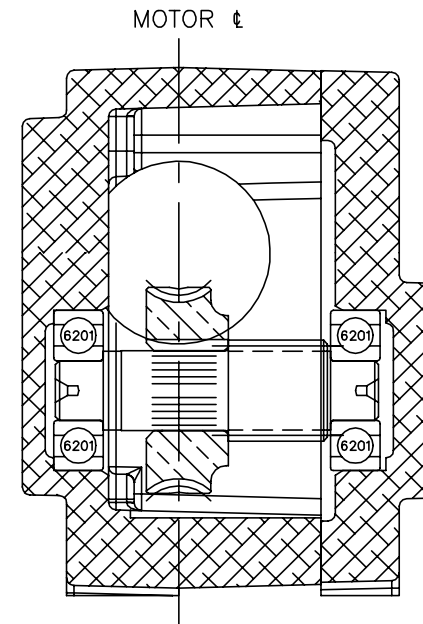
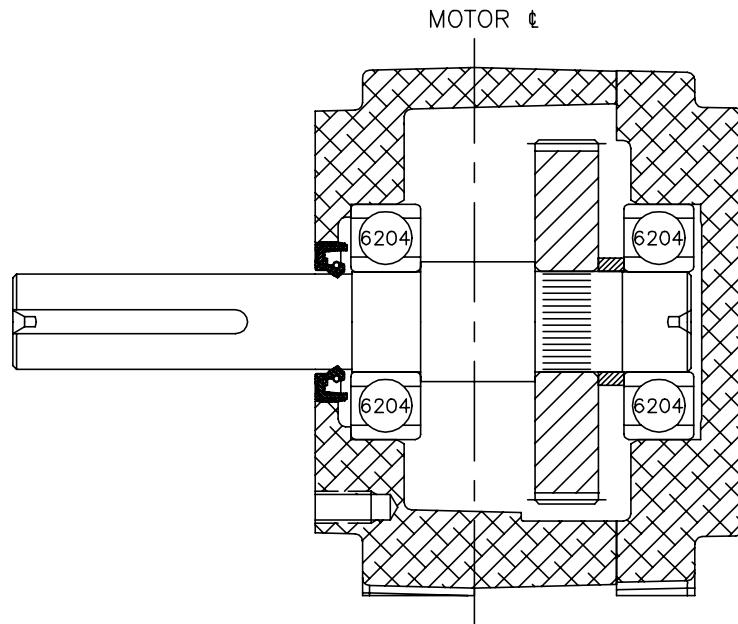
REV. DESC: CHG LABEL VIEW

REV. LTR: D	VERSION: 04	TDR: 000000454240
24A618Z105G2	FILE: \CKA\00029\828	REVISED: 15:50:22 01/23/2008
	MTL: -	BY: CKGLEHO

BALDOR • DODGE • RELIANCE

LY,24DC GB DOM TENV

24A618Z105G2



CUSTOMER IS RESPONSIBLE FOR DETERMINING THAT MOTOR PERFORMANCE IS SUITABLE IN THE APPLICATION.

REV. DESC: CHG LABEL VIEW

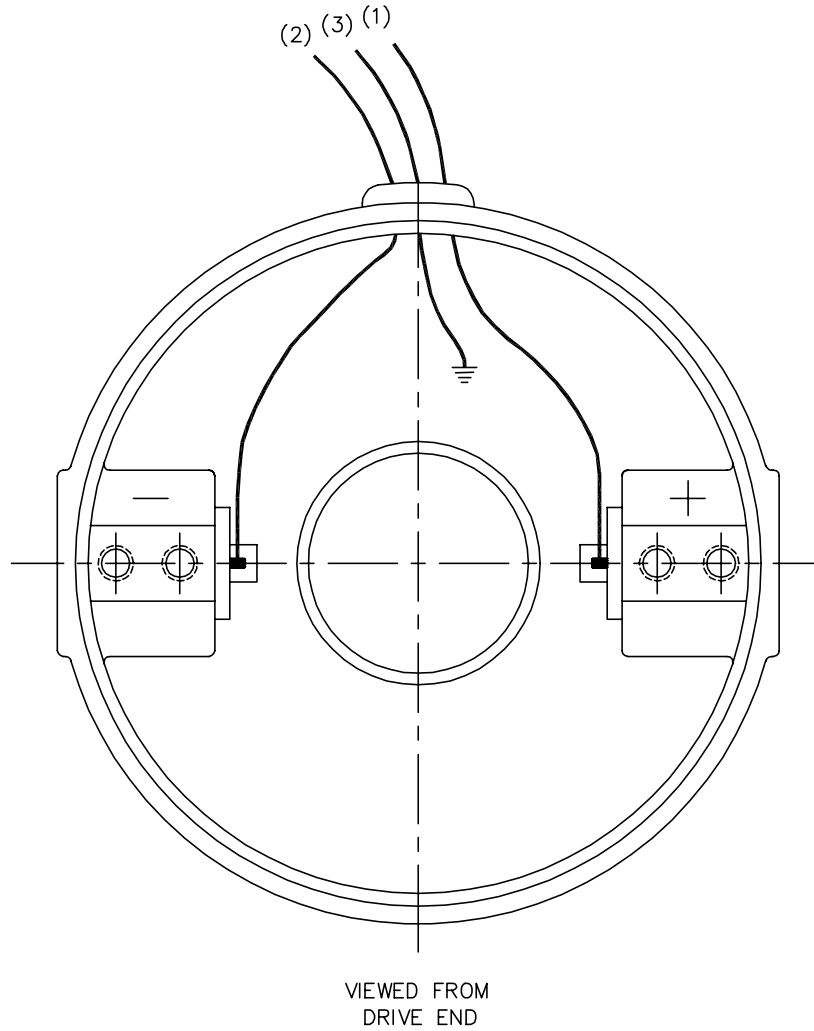
REV. LTR: D	VERSION: 04	TDR: 000000454240
24A618Z105G2	FILE: \CKA\00029\828	REVISED: 15:50:22 01/23/2008
	MTL: -	BY: CKGLEHO

BALDOR • DODGE • RELIANCE

LY,24DC GB DOM TENV

24A618Z105G2

CD1918



(1) COLOR MAY BE
RED
WHT
BLU

(2) COLOR MAY BE
BLK
BRN

(3) COLOR WHEN REQ.
GRN
GRN/YEL

VIEWED FROM
DRIVE END

CD1918

REV. DESC: NEW			
REV. LTR: -	VERSION: 00	TDR: 000000353283	
816100 CD1918	FILE: \CKA\00026\698	REVISED: 05:52:44 01/21/2005	
	MTL: -	BY: CKPHIWO	

BALDOR ELECTRIC Co.

PM,2LD,REV,TANG,CK