

BALDOR® • RELIANCE

Product Information Packet

ELECTRIC MOTOR WHOLESAL.COM

GP24280

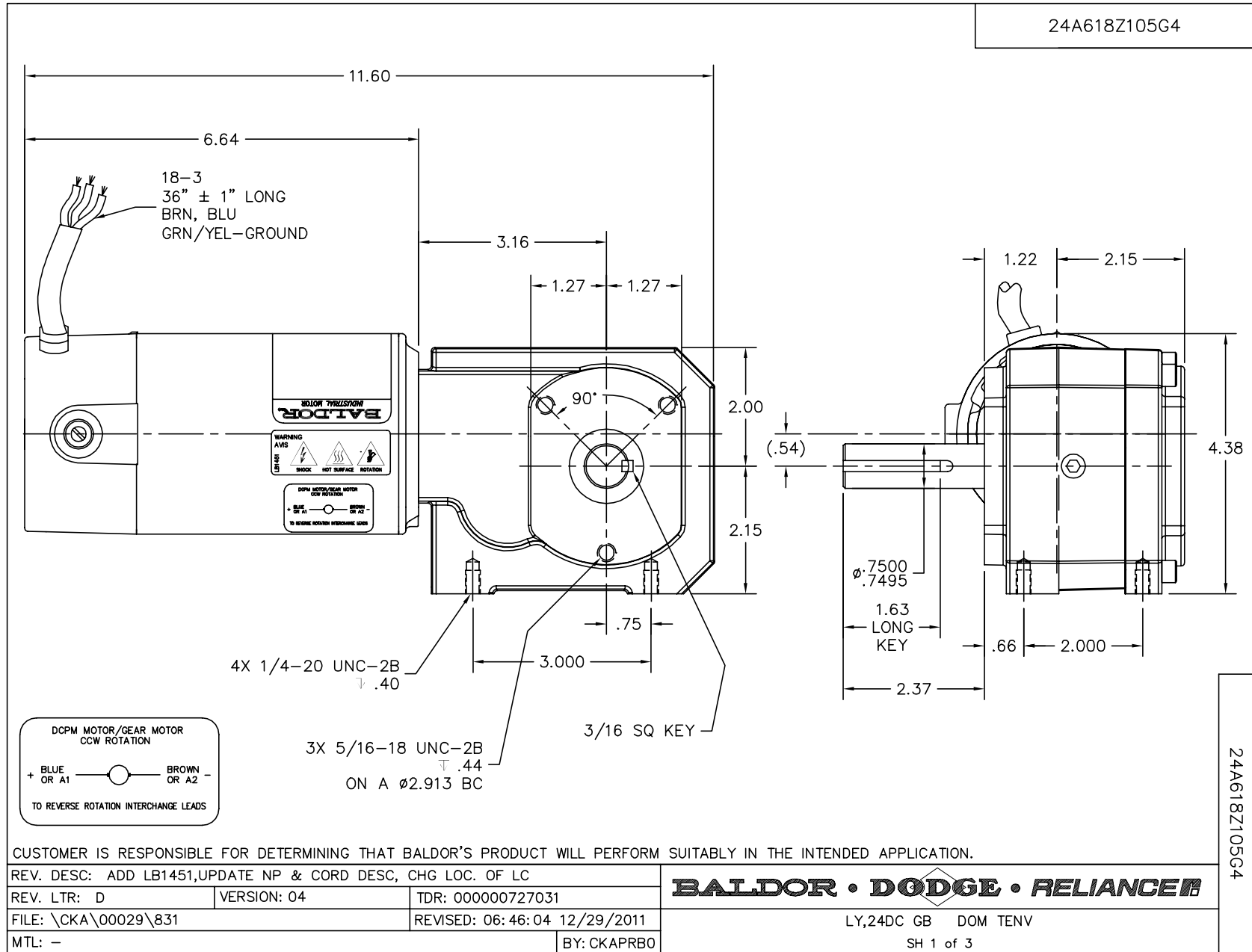
.13HP, DC, G-BOX WORM_HELICAL, TENV GM

Part Detail							
Revision:	M	Status:	PRD/A	Change #:		Proprietary:	No
Type:	DC	Prod. Type:		Elec. Spec:	24WGZ105	CD Diagram:	
Enclosure:	TENV	Mfg Plant:		Mech. Spec:		Layout:	
Frame:	G	Mounting:		Poles:	///	Created Date:	04-21-2006
Base:		Rotation:	R	Insulation:	F	Eff. Date:	07-19-2012
Field Type:		Literature:		Elec. Diagram:		Replaced By:	

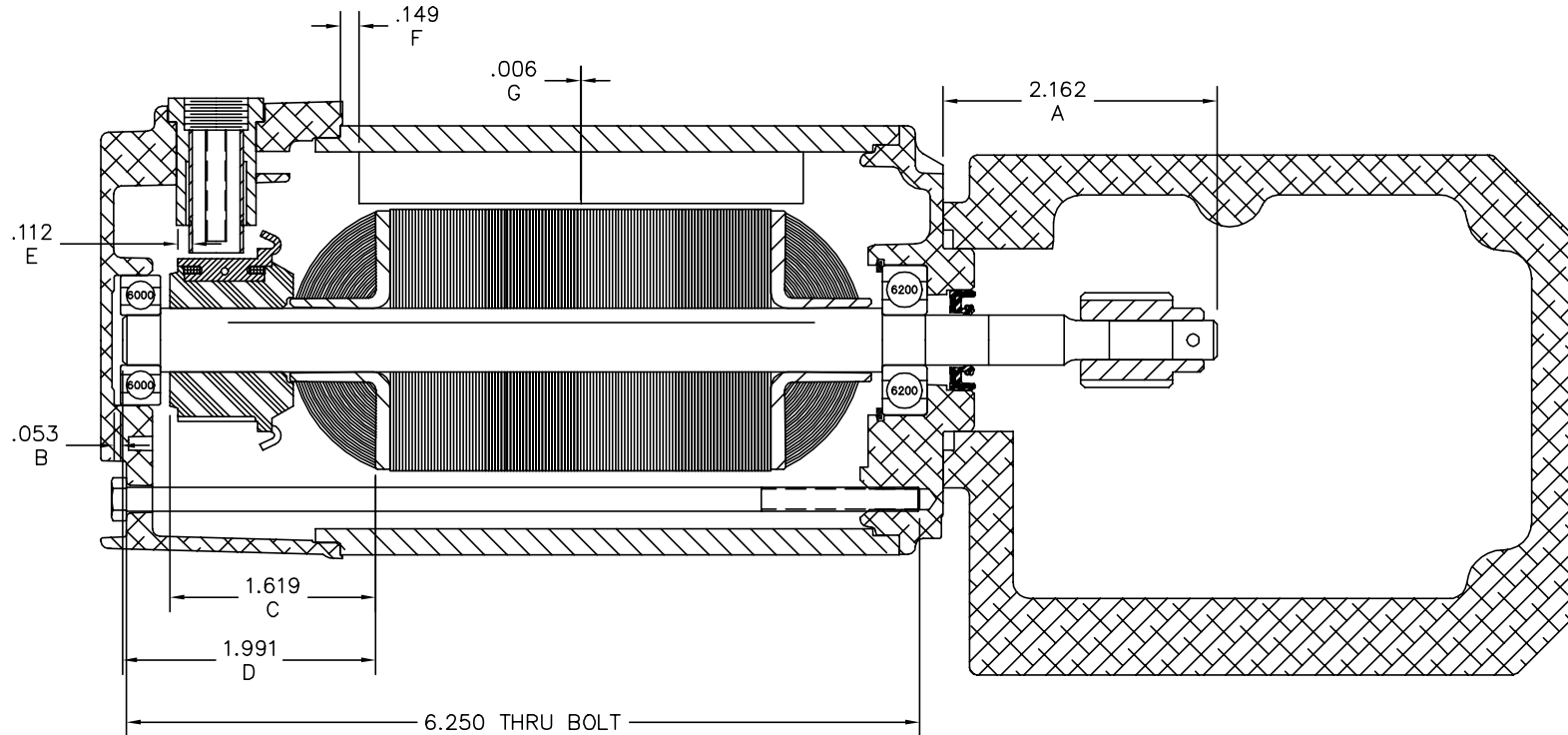
Nameplate NP1220A08			
CAT.NO.	GP24280		
SER.NO			
SPEC.	24A618Z105G4		
FRAME	G	TYPE	2424P
HP	.13	TE	
VOLTS	90		
AMP	1.04		
F.F.	1.36	CLASS	F
AMB.	40	DUTY	CONT
BRUSHES	2/BP5052BP01		
R.P.M.	6.2		
TORQ/IN LB	400		
RATIO	280:1		
APRV-CE		APRV-CUL	

Parts List		
Part Number	Description	Quantity
SA148380	SA 24A618Z105G4	1.000 EA
AA012448	AA 24A618Z105G4	1.000 EA
LC0899A08	CONNECTION LABEL, DCPM CCW ROTATION CE C	1.000 EA
BP5052BP01SP	BRUSH, GRADE R884 NATIONAL CARBON (FOR 1	1.000 EA
24EP3107A12L	EP,24DC DE CL 6200 W/THRU HOLES FOR G	1.000 EA
HW5002A45	RETAINING RING,WALDES TRUARC N5002-118	1.000 EA
HW4600D28	SEAL,10X20X4MM TCM #03907815PSCW	1.000 EA
24EP3103A45L	EP,24DC ODE CL 0.63 P3R	1.000 EA
HW5109A13	WASHER, WAVE SPRING FOR 26MM BORE SMALLE	1.000 EA
80XN1032A04	10-32 X 1/4 SET SCREW	2.000 EA
BP4529SP	BRUSH TUBE HOLDER:BBR1097	1.000 EA
BP4530SP	BRUSH TUBE CAP AE-57	1.000 EA
55XT0632G03	6-32 X 0.187 RD HD PHILLIPS, SERRATED	1.000 EA
LD0110A15	ASM,CABLE 18-3 SJTO BR,BL,G/Y, 40"	1.000 EA
WD4102A01	STRN RELIEF HEYCO #1214/M.P. 23MPO6L10	1.000 EA
HA3100A10	THRUBOLT 10-32 X 6.250	2.000 EA
HG0074A04L	HSG,G MACHINED STD.	1.000 EA
HA4021A05	1/16 NPSF-HX SOC PIPE PLUG TAPER DRY SEA	1.000 EA
RM1057	RUBBER SQUARE RING 1.424 I.D.	1.000 EA
84XN1032J14	#10-32 X 7/8 SOC HD CAP BKOX	4.000 EA
MJ5004A35	ADHESIVE LOCTITE #243-31 50 ML	0.001 EA
SG0056A10	SHAFT,ASSY G INP 2RED 5.0/56.0	1.000 EA
HW5109A04	WASHER, SPLIT WAVE SPRING, FOR 32MM BORE	1.000 EA
SG0056A11	SHAFT,ASSY G OUTP 2RED 0.0/5.0	1.000 EA

Parts List (continued)		
Part Number	Description	Quantity
HW5109A10	WASHER, WAVE SPRING FOR 47MM BORE SMALLE	1.000 EA
HW3075J05	1/4 X 1/2 GROOVE PIN TYPE H	2.000 EA
CG0011A04L	HSG,CAP G MACHINED 3X 5/16-18 MOUNTING	1.000 EA
84XN2520J16	1/4-20 X 1 SOC HD CAP SCREW	6.000 EA
HW4600D39	SEAL, .750 X 1.250 X .250 SINGLE	1.000 EA
MJ1000B02	KLUB. GH6-460 GEAR OIL 1 LITER	0.050 GA
MJ5001A19	LOCTITE #598 ULTRA BLACK, 50 LB PAIL, IT	0.010 LB
HW2501D15	KEY, 3/16 X 1.625	1.000 EA
NP1220A08	NP,DC STD AD NONE V GEAR MOTOR CE CUL	1.000 EA
LB1451	WARNING LABEL, CE WARNING SYMBOLS ONLY	1.000 EA
CPA1000	PACKING GROUP STD. SINGLE	1.000 EA
LB1171	LABEL CARTON 6X6 ON LINE BLANK ROLLS	1.000 EA
ME4000	.375-.75" DIA.#SW-04 WOVEN SHAFT PROTECT	0.125 FT



24A618Z105G4



24A618Z105G4

CUSTOMER IS RESPONSIBLE FOR DETERMINING THAT BALDOR'S PRODUCT WILL PERFORM SUITABLY IN THE INTENDED APPLICATION.

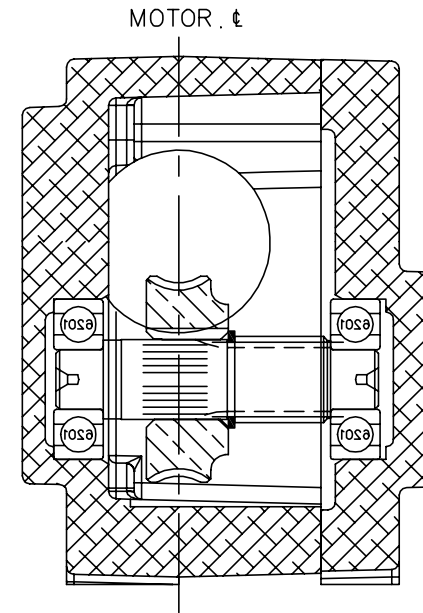
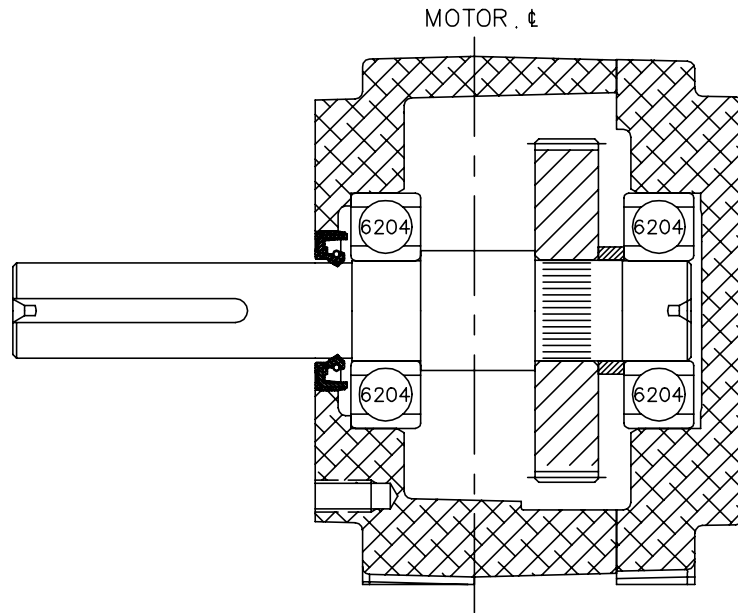
REV. DESC: ADD LB1451,UPDATE NP & CORD DESC, CHG LOC. OF LC		
REV. LTR: D	VERSION: 04	TDR: 000000727031
FILE: \CKA\00029\831	REVISED: 06: 46: 04 12/29/2011	
MTL: -	BY: CKAPRBO	

BALDOR • DODGE • RELIANCE

LY,24DC GB DOM TENV

SH 2 of 3

24A618Z105G4



CUSTOMER IS RESPONSIBLE FOR DETERMINING THAT BALDOR'S PRODUCT WILL PERFORM SUITABLY IN THE INTENDED APPLICATION.

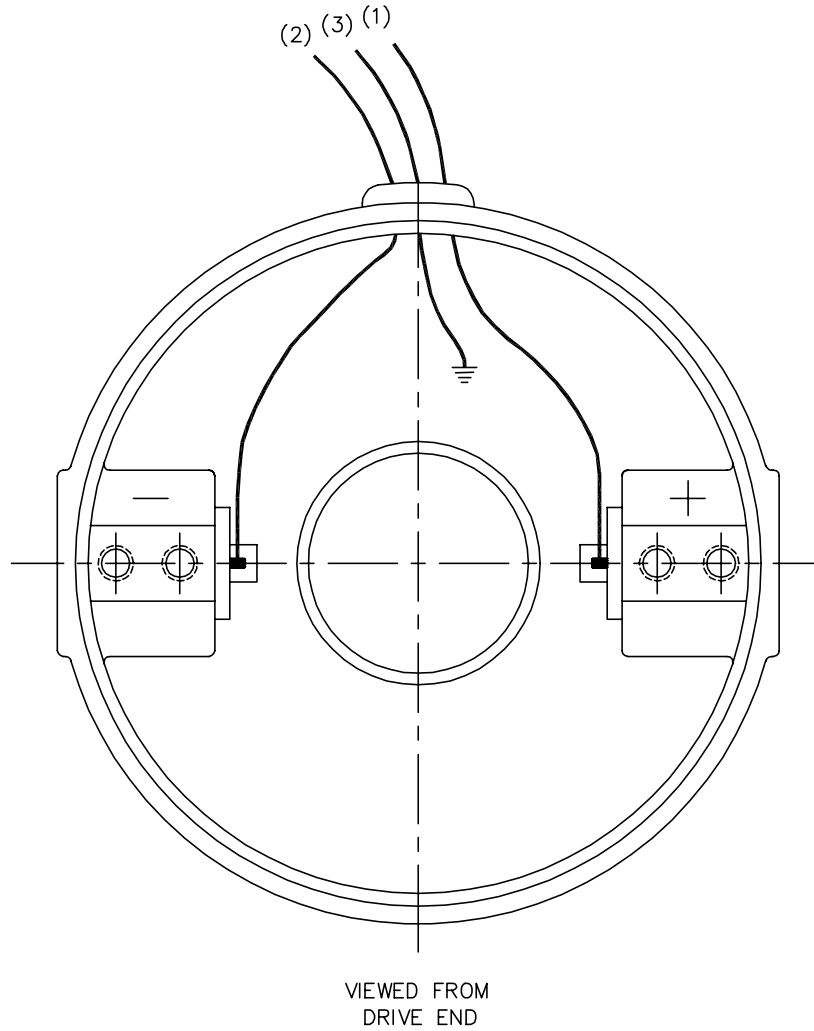
REV. DESC: ADD LB1451, UPDATE NP & CORD DESC, CHG LOC. OF LC		
REV. LTR: D	VERSION: 04	TDR: 000000727031
FILE: \CKA\00029\831	REVISED: 06: 46: 05 12/29/2011	
MTL: -	BY: CKAPRBO	

BALDOR • DODGE • RELIANCE

LY, 24DC GB DOM TENV
SH 3 of 3

24A618Z105G4

CD1918



(1) COLOR MAY BE
RED
WHT
BLU

(2) COLOR MAY BE
BLK
BRN

(3) COLOR WHEN REQ.
GRN
GRN/YEL

VIEWED FROM
DRIVE END

CD1918

REV. DESC: NEW		VERSION: 00		TDR: 000000353283	
REV. LTR: -		FILE: \CKA\00026\698		REVISED: 05:52:44 01/21/2005	
816100		MTL: -		BY: CKPHIWO	

BALDOR ELECTRIC Co.

PM,2LD,REV,TANG,CK