

BALDOR® • RELIANCE

Product Information Packet

ELECTRIC MOTOR WHOLESAL.COM

GP2506

.33HP,DC,JH-0,2532P,TENV,GM

Part Detail							
Revision:	S	Status:	PRD/A	Change #:		Proprietary:	No
Type:	DC	Prod. Type:		Elec. Spec:	25WGZ009	CD Diagram:	
Enclosure:	TENV	Mfg Plant:		Mech. Spec:		Layout:	
Frame:	JH	Mounting:		Poles:	///	Created Date:	
Base:		Rotation:	REV	Insulation:	F	Eff. Date:	01-27-2012
Field Type:		Literature:		Elec. Diagram:		Replaced By:	

Nameplate NP1220A21

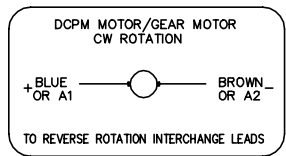
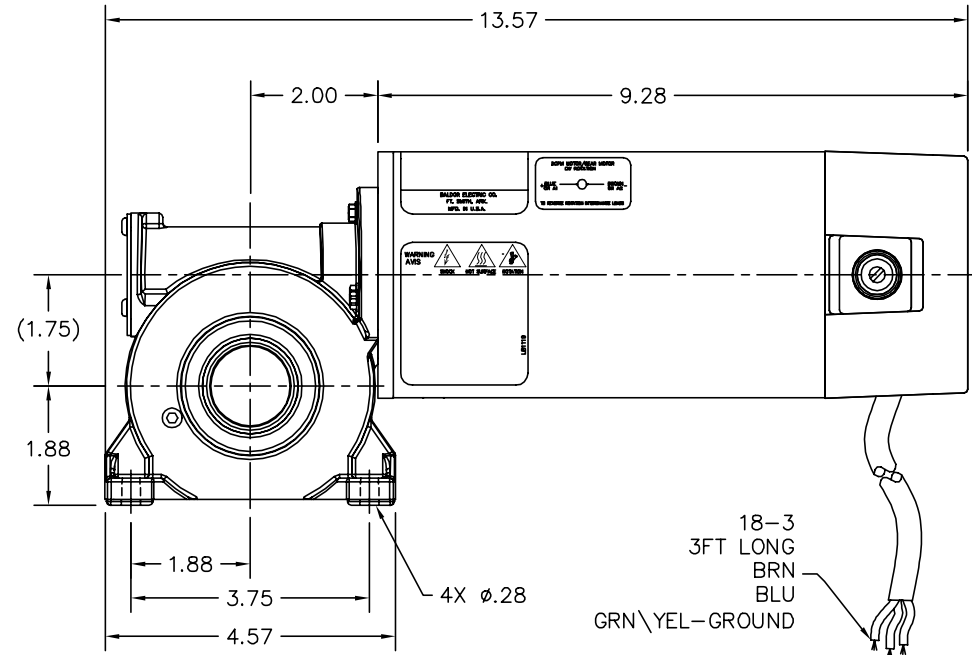
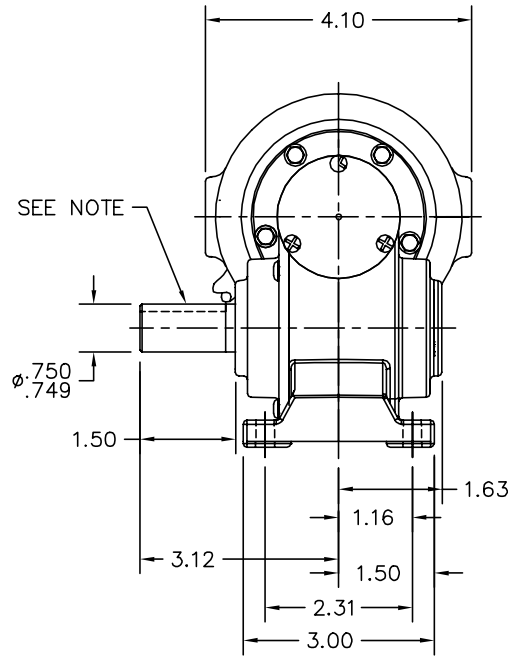
CAT.NO.	GP2506						
SER.NO							
SPEC.	25A090Z009G4						
FRAME	JH					TYPE	2532P
HP	.33	TE					
VOLTS	90DC						
AMP	3.36						
F.F.	1.35					CLASS	F
AMB.	40					DUTY	CONT
BRUSHES	2/BP5040AL01						
R.P.M.	62						
TORQ/IN LB	137						
RATIO	40:1						
APRV-CE							
APRV-CSA							
APRV-UL							

Parts List		
Part Number	Description	Quantity
SA082525	SA 25A090Z009G4	1.000 EA
AA007836	AA 25A090Z009G4	1.000 EA
SR000753	SR 25A090Z009G4	1.000 EA
LC0899A07	CONNECTION LABEL, DCPM CW ROTATION CE CO	1.000 EA
BP5040AL01	BRUSH 5/16 X 7/16	2.000 EA
HA3100A16	THRUBOLT 10-32 X 8.750	2.000 EA
25EP4104A01	EP,25DC DE CL 6203 PARA 2.375	1.000 EA
HW4600E07	SEAL,TRANSCOM #05112ASCW .500 X 1.125 X	1.000 EA
HW5002A51	RET RING N5002 - 156 (WALDES) BEVELED 40	1.000 EA
25EP2102A08L	EP,25DC ODE CL 0.64 P4 NONE W/BLACK POW	1.000 EA
WD4102A01	STRN RELIEF HEYCO #1214/M.P. 23MPO6L10	1.000 EA
HW5109A05	WASHER, WAVE SPRING FOR 40MM BORE SMALLE	1.000 EA
MJ5019A01	ADHESIVE LOCTITE #680 WAS BAD4525	0.001 EA
11XT0832G04	8-32 X 1/4 TY 23 TAPPING	1.000 EA
80XN1032A04	10-32 X 1/4 SET SCREW	2.000 EA
HG0039A04L	HSG,JK EX CLOSED W/ BLACK POWDER COAT	1.000 EA
BS0114A01L	BS,JH OP 6204STD OPEN W/ BLACK POWDER CO	1.000 EA
HW5002A57	WALDES N5002-187 BEVELED 1.850	1.000 EA
HA1194B01	BLADDER,CJK EXPANSION	1.000 EA
15XM0632A06	SCREW, 6-32X .375, THREAD FORMING	3.000 EA
RM1057	RUBBER SQUARE RING 1.424 I.D.	1.000 EA
19XN1032A12	SCREW, HEX WASHER HEAD, #10-32 X .750	4.000 EA
RM1020A21	O-RING,3.240 I.D. X .052 BUNA (PGS) BGA4	1.000 EA
15XM0832A08	SCREW, 8-32X .500, THREAD FORMING	4.000 EA

Parts List (continued)		
Part Number	Description	Quantity
HA4021A05	1/16 NPSF-HX SOC PIPE PLUG TAPER DRY SEA	1.000 EA
BMH1910	KEY 3/16X3/16X1 1/8 AUTO X	1.000 EA
ME4000	.375-.75" DIA.#SW-04 WOVEN SHAFT PROTECT	0.167 FT
HW5109A10	WASHER, WAVE SPRING FOR 47MM BORE SMALLE	1.000 EA
HW4600D39	SEAL, .750 X 1.250 X .250 SINGLE	1.000 EA
MJ1000B02	KLUB. GH6-460 GEAR OIL 1 LITER	0.030 GA
LD6021A12A07	18-3 SJTO, BRN,BLU,GR/YL 40" (4) 25F W/C	1.000 EA
NP1220A21	NP,DC STD AD NONE V GEAR MOTOR CE CSA UL	1.000 EA
LB1119	WARNING LABEL	1.000 EA
BP4533	BRUSH HOLDER; 6010-DF-SS-1062-TP	2.000 EA
BP4534	BRUSH TUBE CAP:BBR1095	2.000 EA
LB5040	INSTRUCTION TAG, AC & DC	1.000 EA
CPA1000	PACKING GROUP STD. SINGLE	1.000 EA
LB1171	LABEL CARTON 6X6 ON LINE BLANK ROLLS	1.000 EA
PK3090	2" X 7 1/8 X 6 1/2" CRADLE VIN#1665500	1.000 EA

Accessories		
Part Number	Description	Multiplier
BC138	KBWM-120 120VAC .25-HP SCR CTL, N	E9
BC140	CS2934A,120/240VAC .5/1-HP SCR CTL,NEMA	E9
BC140-FBR	W/FOR BRAKE REV SWITCH	E9
BC141	CHASSIS MOUNT FSCN 3000A20	E9
BR0035	PLUG IN RESISTOR	E9

25A090Z009G4



KEYWAY: .188 X .093 X 1.250

CUSTOMER IS RESPONSIBLE FOR DETERMINING THAT BALDOR'S PRODUCT WILL PERFORM SUITABLY IN THE INTENDED APPLICATION.

REV. DESC: NEW (REPLACES 25LYA090)		
REV. LTR: -	VERSION: 00	TDR: 000000729782
FILE: \CKA\00037\194		REVISED: 10:56:14 01/24/2012
MTL: -		BY: CKAPRB0

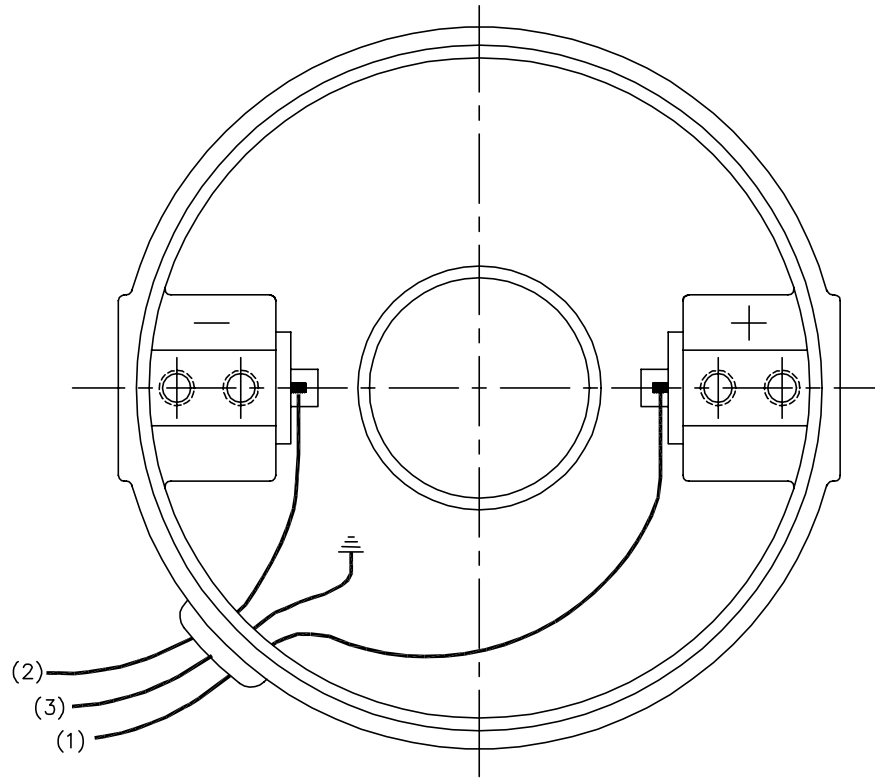
BALDOR • DODGE • RELIANCE

LAYOUT,25 JH TENV GP NONE .75 2.00 918 GEARING

SH 1 of 1

25A090Z009G4

CD1899



(1) COLOR MAY BE
RED
WHT
BLU

(2) COLOR MAY BE
BLK
BRN

(3) COLOR WHEN REQ.
GRN
GRN/YEL

VIEWS FROM
DRIVE END

REV. DESC: NEW			
REV. LTR: -	BY: PAW	REVISED: 09:06:34 09/16/2004	TDR: 341564
668100		FILE: CKA00025830	REF: CD1899
		MTL: -	

BALDOR ELECTRIC Co.

PM,2LD,REV,TANG,CK

CD1899