

# **BALDOR® • RELIANCE**

**Product Information Packet**

**ELECTRIC MOTOR WHOLESAL.COM**

**GP3306**

**G.M. F27UA 90VDC 40:1 HD GEARSET**

Part Detail							
Revision:	T	Status:	PRD/A	Change #:		Proprietary:	No
Type:		Prod. Type:		Elec. Spec:		CD Diagram:	
Enclosure:	TENV	Mfg Plant:		Mech. Spec:		Layout:	
Frame:	JH	Mounting:		Poles:		Created Date:	
Base:		Rotation:	R	Insulation:		Eff. Date:	07-20-2012
Field Type:		Literature:		Elec. Diagram:		Replaced By:	

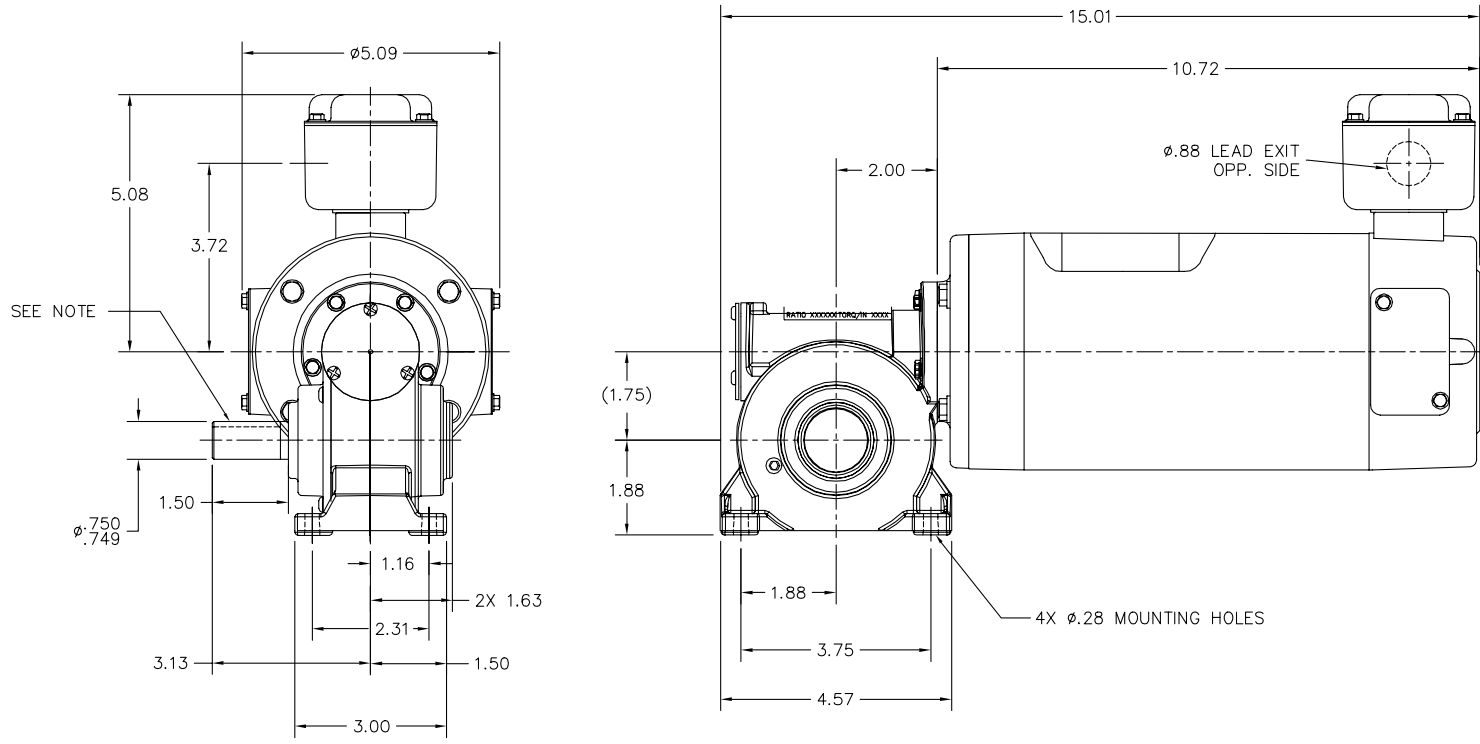
Nameplate NP1286A06			
SPEC.	33-2408Z148G1K1		
R.P.M.	63	DATE CODE	DATE CODE
RATIO	40:1	TORQ/IN LB	215

Parts List		
Part Number	Description	Quantity
SR000877	SR 33-2408Z148G1K1	1.000 EA
33-2408Z148G1	.5HP,2500RPM,DC,42CZ,3327P,TENV,F1,N	1.000 EA
HW3081C06	3/32 X 5/8 GROOVE PIN TYPE A,THRU HARDEN	1.000 EA
MJ5019A01	ADHESIVE LOCTITE #680 WAS BAD4525	0.010 EA
HA6032A04G	ADAPTER, MACH F/BOEHM MACH'D. FOR SEAL	1.000 EA
HW4600B91	SEAL, TCM #06132TB .625X1.375X.252	1.000 EA
10XN2520A16	1/4-20 X 1 HEX HEAD CAP SCR, ZINC PLATED	4.000 EA
HW1001A25	LOCKWASHER 1/4, ZINC PLT .493 OD, .255 I	4.000 EA
HG0039A04G	HSG,JK EX CLOSED W/ GRAY POWDER COAT	1.000 EA
BS0114A01G	BS,JH OP 6204STD OPEN W/ GRAY POWDER COA	1.000 EA
HW5002A57	WALDES N5002-187 BEVELED 1.850	1.000 EA
15XM0832A08	SCREW, 8-32X .500, THREAD FORMING	4.000 EA
RM1020A21	O-RING,3.240 I.D. X .052 BUNA (PGS) BGA4	1.000 EA
WM0055A21	WORM,JH 40.0 INP (918 GEARING)	1.000 EA
MJ1000B02	KLUB. GH6-460 GEAR OIL 1 LITER	0.030 GA
HW5109A10	WASHER, WAVE SPRING FOR 47MM BORE SMALLE	1.000 EA
HW4600D39	SEAL, .750 X 1.250 X .250 SINGLE	1.000 EA
RM1057	RUBBER SQUARE RING 1.424 I.D.	1.000 EA
19XN1032A12	SCREW, HEX WASHER HEAD, #10-32 X .750	4.000 EA
HA1194B01	BLADDER,CJK EXPANSION	1.000 EA
15XM0632A06	SCREW, 6-32X .375, THREAD FORMING	3.000 EA
HW2501D10	KEY, 3/16 SQ X 1.000	1.000 EA
HA4021A05	1/16 NPSF-HX SOC PIPE PLUG TAPER DRY SEA	1.000 EA
NP1286A06	NP,GR AD NONE H	1.000 EA

Parts List (continued)		
Part Number	Description	Quantity
CPA1001	PACKING GROUP OVERSIZED SINGLE	1.000 EA
LB1171	LABEL CARTON 6X6 ON LINE BLANK ROLLS	1.000 EA
PK3090	2" X 7 1/8 X 6 1/2" CRADLE VIN#1665500	1.000 EA
ME4000	.375-.75" DIA.#SW-04 WOVEN SHAFT PROTECT	0.125 FT

Accessories		
Part Number	Description	Multiplier
BC140	CS2934A, 120/240VAC .5/1-HP SCR CTL,NEMA	E9
BC140-FBR	W/FOR BRAKE REV SWITCH	E9
BC141	CHASSIS MOUNT FSCN 3000A20	E9
BR0025	PLUG IN RESISTOR,0.025 ohm	E9

33-2408Z148G1K1



SEE NOTE

0.88 LEAD EXIT  
OPP. SIDE

4X 0.28 MOUNTING HOLES

KEYWAY: .188 X .093 X 1.250

CUSTOMER IS RESPONSIBLE FOR DETERMINING THAT BALDOR'S PRODUCT WILL PERFORM SUITABLY IN THE INTENDED APPLICATION.

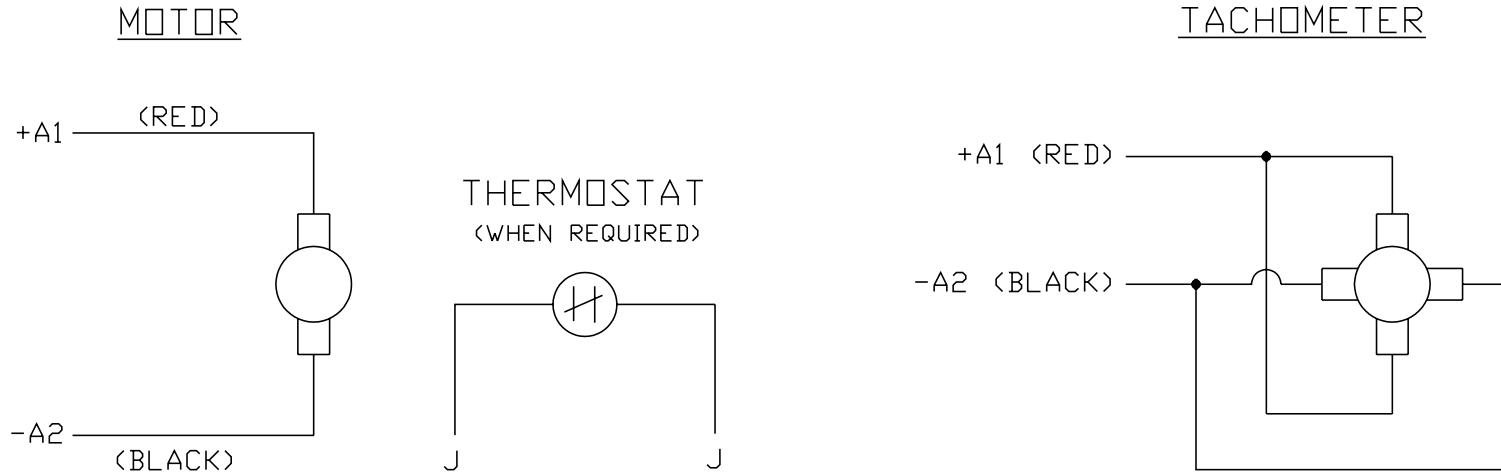
REV. DESC: CHANGE OUTPUT SHAFT TOL TO .750/.749		
REV. LTR: B	VERSION: 02	TDR: 00000722584
FILE: \CKA\00019\325	REVISED: 01:42:33 12/05/2011	BY: CKJASW0
MTL: -		

**BALDOR**

LY,33DC JH RSB TENV GP NONE 918 GEARING  
SH 1 of 1

33-2408Z148G1K1

CD0194



NOTES:

1. CCW ROTATION AS SHOWN FACING COMMUTATOR END. TO REVERSE MOTOR ROTATION OR TACHOMETER OUTPUT POLARITY INTERCHANGE LEADS A1(RED) & A2(BLACK)
2. LEAD COLORS FOR REFERENCE ONLY & NOT SPECIFIED BY THIS DRAWING. LEAD COLORS SPECIFIED BY LAYOUT DRAWING & BILL OF MATERIAL ONLY.

MATL: -			
REV:	E	ADDED NOTE "LEAD COLORS FOR REFERENCE ONLY &..."	
#61000		SCALE: -	BY: CK
CD0194		REvised: 07/28/95	TDR: 0078737
		FILE: AAA00004503	

**BALDOR ELECTRIC Co.**

CD TYPE P DC PERMANENT MAGNET MOTORS AND TACHOMETERS

CD0194