

# **BALDOR® • RELIANCE**

**Product Information Packet**

**ELECTRIC MOTOR WHOLESAL.COM**

**GP7402**

**.13HP,DC,JK-0,2424P,TENV,GM**

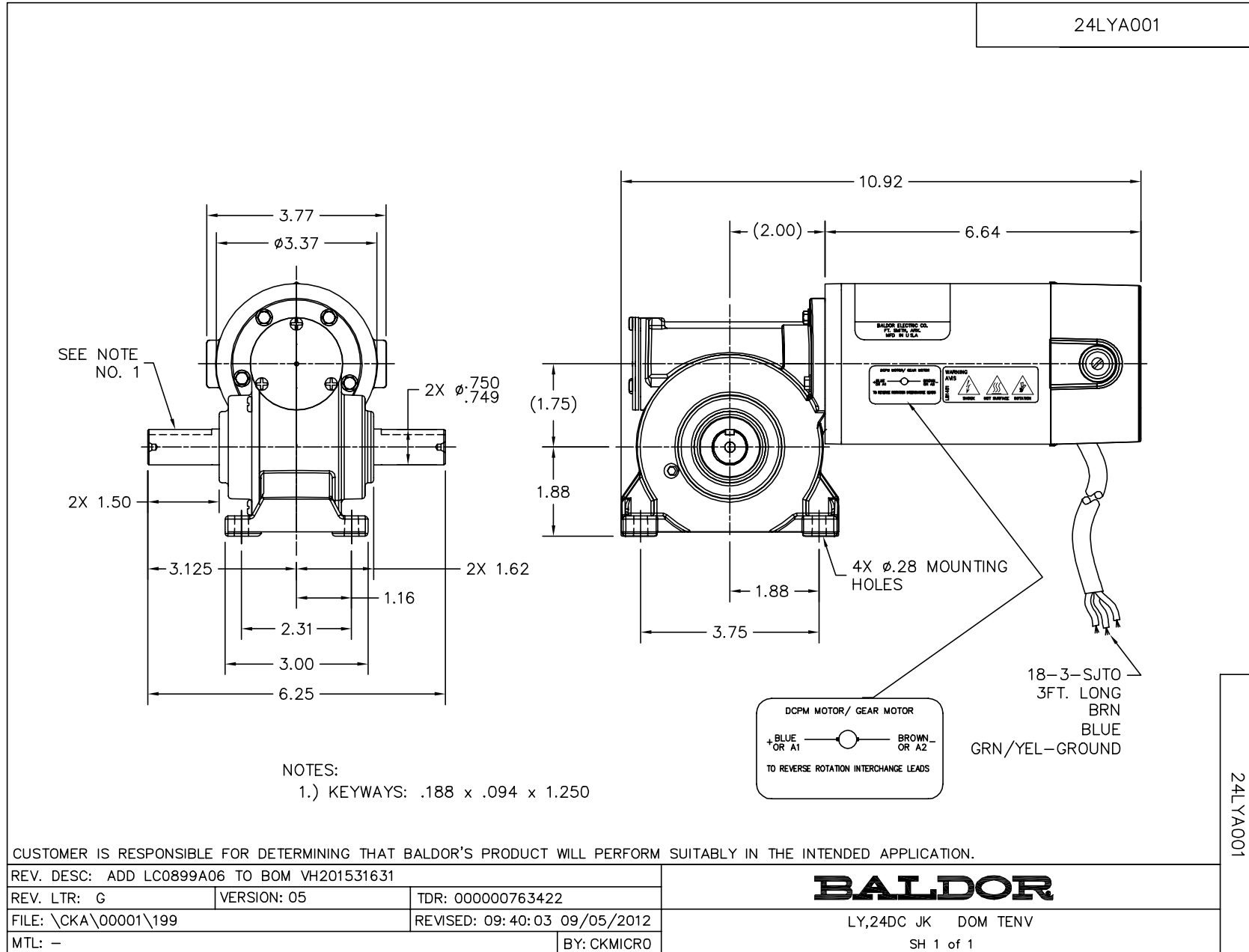
| Part Detail |      |             |       |                |          |               |            |
|-------------|------|-------------|-------|----------------|----------|---------------|------------|
| Revision:   | X    | Status:     | PRD/A | Change #:      |          | Proprietary:  | No         |
| Type:       | DC   | Prod. Type: |       | Elec. Spec:    | 24WGZ010 | CD Diagram:   |            |
| Enclosure:  | TENV | Mfg Plant:  |       | Mech. Spec:    |          | Layout:       |            |
| Frame:      | JK   | Mounting:   |       | Poles:         | ///      | Created Date: |            |
| Base:       |      | Rotation:   |       | Insulation:    | F        | Eff. Date:    | 09-05-2012 |
| Field Type: |      | Literature: |       | Elec. Diagram: |          | Replaced By:  |            |

| Nameplate NP1220A08 |              |          |       |
|---------------------|--------------|----------|-------|
| CAT.NO.             | GP7402       |          |       |
| SER.NO              |              |          |       |
| SPEC.               | 24A001Z010G1 |          |       |
| FRAME               | JK           | TYPE     | 2424P |
| HP                  | 1/8          | TE       |       |
| VOLTS               | 90DC         |          |       |
| AMP                 | 1.3          |          |       |
| F.F.                | 1.48         | CLASS    | F     |
| AMB.                | 40           | DUTY     | CONT  |
| BRUSHES             | 2/BP5052BP01 |          |       |
| R.P.M.              | 52           |          |       |
| TORQ/IN LB          | 75           |          |       |
| RATIO               | 33:1         |          |       |
| APRV-CE             |              | APRV-CUL |       |

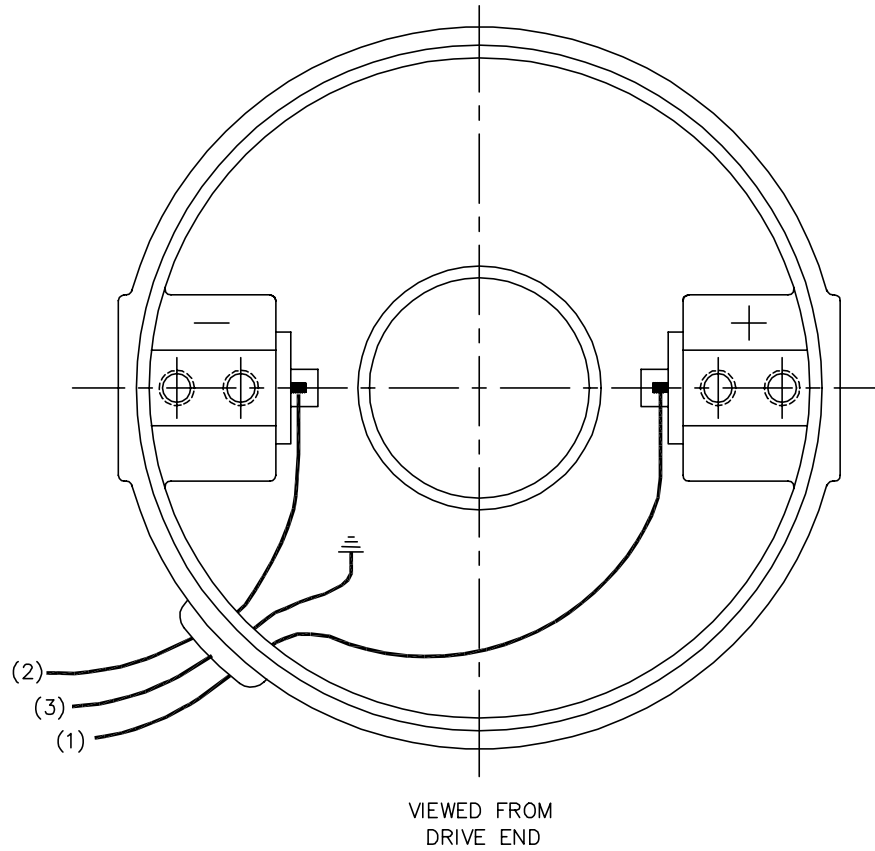
| Parts List   |  |          |
|--------------|--|----------|
| Part Number  | Description                              | Quantity |
| SA076430     | SA 24A001Z010G1                          | 1.000 EA |
| AA007489     | AA 24A001Z010G1                          | 1.000 EA |
| SR000677     | SR 24A001Z010G1                          | 1.000 EA |
| LC0899A06    | CONNECTION LABEL, DCPM NO ROTATION CE CO | 1.000 EA |
| BP5052BP01SP | BRUSH, GRADE R884 NATIONAL CARBON (FOR 1 | 1.000 EA |
| 24EP3106A04L | EP,24DC DE CL 6200 RA VERT. THRU BOLTS   | 1.000 EA |
| HW5002A45    | RETAINING RING,WALDES TRUARC N5002-118   | 1.000 EA |
| HW4600D28    | SEAL,10X20X4MM TCM #03907815PSCW         | 1.000 EA |
| 24EP3102A01L | EP,24DC 0DE CL 0.63P4                    | 1.000 EA |
| 80XN1032A04  | 10-32 X 1/4 SET SCREW                    | 2.000 EA |
| 11XT0832G04  | 8-32 X 1/4 TY 23 TAPPING                 | 1.000 EA |
| HW5109A13    | WASHER, WAVE SPRING FOR 26MM BORE SMALLE | 1.000 EA |
| WD4102A01    | STRN RELIEF HEYCO #1214/M.P. 23MPO6L10   | 1.000 EA |
| HG0039A01L   | HSG,J EP OPEN FOR SEAL W/BLACK POWDE     | 1.000 EA |
| BS0114A03L   | BS,J OP 6204STD OPEN NO SNAP RING        | 1.000 EA |
| HW5109A10    | WASHER, WAVE SPRING FOR 47MM BORE SMALLE | 1.000 EA |
| 15XM0832A08  | SCREW, 8-32X .500, THREAD FORMING        | 4.000 EA |
| RM1020A21    | O-RING,3.240 I.D. X .052 BUNA (PGS) BGA4 | 1.000 EA |
| HW4600D39    | SEAL, .750 X 1.250 X .250 SINGLE         | 2.000 EA |
| HA1194B01    | BLADDER,CJK EXPANSION                    | 1.000 EA |
| 15XM0632A06  | SCREW, 6-32X .375, THREAD FORMING        | 3.000 EA |
| HA4021A05    | 1/16 NPSF-HX SOC PIPE PLUG TAPER DRY SEA | 1.000 EA |
| RM1057       | RUBBER SQUARE RING 1.424 I.D.            | 1.000 EA |
| 19XN1032A12  | SCREW, HEX WASHER HEAD, #10-32 X .750    | 4.000 EA |

| Parts List (continued) |  |          |
|------------------------|--|----------|
| Part Number            | Description                              | Quantity |
| HA3100A10              | THRUBOLT 10-32 X 6.250                   | 2.000 EA |
| MJ1000B02              | KLUB. GH6-460 GEAR OIL 1 LITER           | 0.030 GA |
| BP4529SP               | BRUSH TUBE HOLDER:BBR1097                | 1.000 EA |
| BP4530SP               | BRUSH TUBE CAP AE-57                     | 1.000 EA |
| WM0055A07              | WORM,JC 33.0 INP                         | 1.000 EA |
| BCB1111-115            | CABLE ASS'Y, 18-3-SJTO 24F               | 1.000 EA |
| NP1220A08              | NP,DC STD AD NONE V GEAR MOTOR CE CUL    | 1.000 EA |
| HW2501D10              | KEY, 3/16 SQ X 1.000                     | 1.000 EA |
| LB5040                 | INSTRUCTION TAG, AC & DC                 | 1.000 EA |
| LB1451                 | WARNING LABEL, CE WARNING SYMBOLS ONLY   | 1.000 EA |
| CPA1000                | PACKING GROUP STD. SINGLE                | 1.000 EA |
| LB1171                 | LABEL CARTON 6X6 ON LINE BLANK ROLLS     | 1.000 EA |
| PK3090                 | 2" X 7 1/8 X 6 1/2" CRADLE VIN#1665500   | 1.000 EA |
| MG2000A14              | RUST VETO 342 RUST INHIBITOR             | 0.001 GA |
| ME4000                 | .375-.75" DIA.#SW-04 WOVEN SHAFT PROTECT | 0.125 FT |

| Accessories |   |            |
|-------------|---|------------|
| Part Number | Description                             | Multiplier |
| BC130       | FRAC DC ANALOG,115AC,50/60HZ,3A,1       | E9         |
| BC138       | KBWM-120 120VAC .25-HP SCR CTL, N       | E9         |
| BC140       | CS2934A,120/240VAC .5/1-HP SCR CTL,NEMA | E9         |
| BC140-FBR   | W/FOR BRAKE REV SWITCH                  | E9         |
| BC141       | CHASSIS MOUNT FSCN 3000A20              | E9         |
| BR0100      | PLUG IN RESISTOR                        | E9         |



CD1899



(1) COLOR MAY BE  
RED  
WHT  
BLU

(2) COLOR MAY BE  
BLK  
BRN

(3) COLOR WHEN REQ.  
GRN  
GRN/YEL

VIEDED FROM  
DRIVE END

|                |         |                              |             |
|----------------|---------|------------------------------|-------------|
| REV. DESC: NEW |         |                              |             |
| REV. LTR: -    | BY: PAW | REVISED: 09:06:34 09/16/2004 | TDR: 341564 |
| 668100         |         | FILE: CKA00025830            | REF: CD1899 |
|                |         | MTL: -                       |             |

**BALDOR ELECTRIC Co.**

PM,2LD,REV,TANG,CK

CD1899