

BALDOR® • *RELIANCE*

Product Information Packet

ELECTRIC MOTOR WHOLESAL.COM

GP7404

.13HP,DC,JK-0,2424P,TENV,GM

Part Detail							
Revision:	W	Status:	PRD/A	Change #:		Proprietary:	No
Type:	DC	Prod. Type:		Elec. Spec:	24WGZ010	CD Diagram:	
Enclosure:	TENV	Mfg Plant:		Mech. Spec:		Layout:	
Frame:	JK	Mounting:		Poles:	///	Created Date:	
Base:		Rotation:		Insulation:	F	Eff. Date:	07-19-2012
Field Type:		Literature:		Elec. Diagram:		Replaced By:	

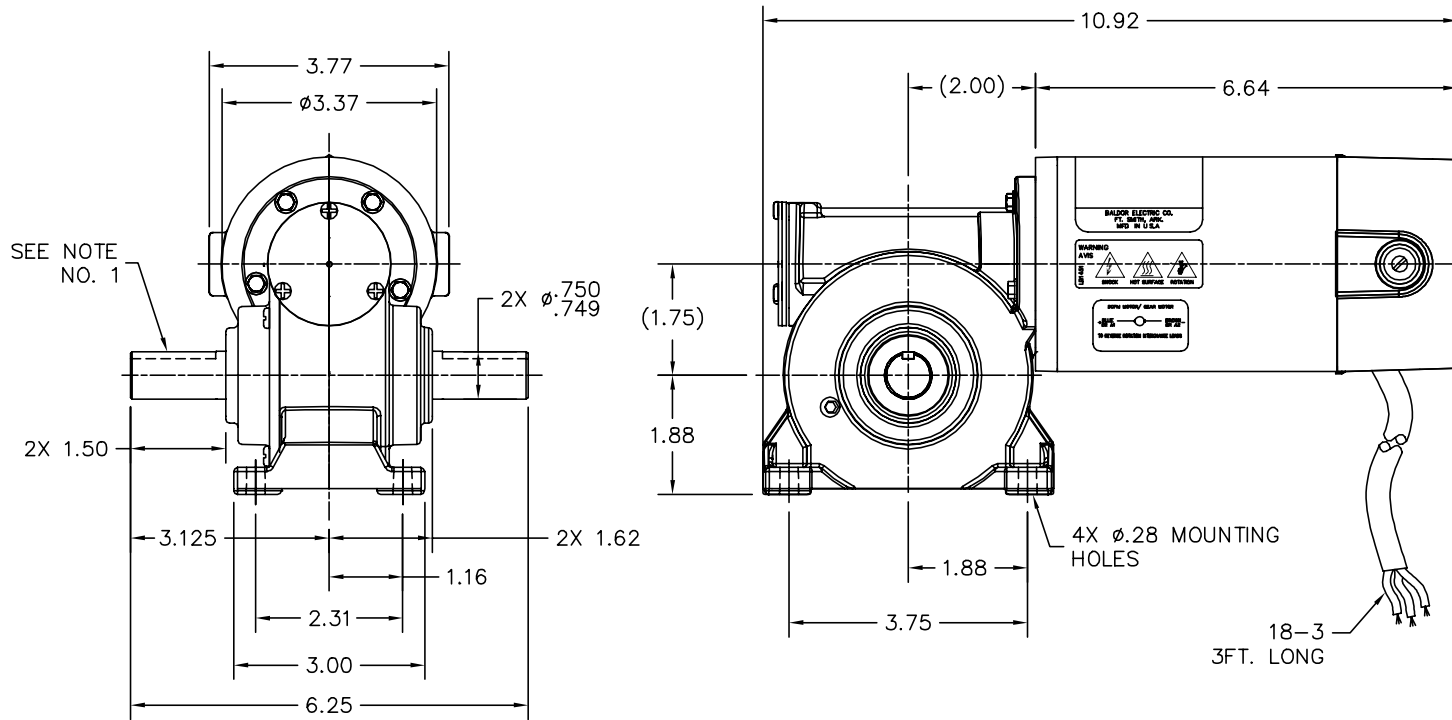
Nameplate NP1220A08			
CAT.NO.	GP7404		
SER.NO			
SPEC.	24A001Z010G4		
FRAME	JK	TYPE	2424P
HP	1/8	TE	
VOLTS	90DC		
AMP	1.3		
F.F.	1.48	CLASS	F
AMB.	40	DUTY	CONT
BRUSHES	2/BP5052BP01		
R.P.M.	30		
TORQ/IN LB	120		
RATIO	58:1		
APRV-CE		APRV-CUL	

Parts List		
Part Number	Description	Quantity
SA089309	SA 24A001Z010G4	1.000 EA
AA008369	AA 24A001Z010G4	1.000 EA
SR000919	SR 24A001Z010G4	1.000 EA
LC0899A06	CONNECTION LABEL, DCPM NO ROTATION CE CO	1.000 EA
BP5052BP01SP	BRUSH, GRADE R884 NATIONAL CARBON (FOR 1	1.000 EA
24EP3106A04L	EP,24DC DE CL 6200 RA VERT. THRU BOLTS	1.000 EA
HW5002A45	RETAINING RING,WALDES TRUARC N5002-118	1.000 EA
HW4600D28	SEAL,10X20X4MM TCM #03907815PSCW	1.000 EA
MJ5082A02	ADHESIVE,KIT PERMABOND TA04592K002L0101	0.002 EA
24EP3102A01L	EP,24DC 0DE CL 0.63P4	1.000 EA
80XN1032A04	10-32 X 1/4 SET SCREW	2.000 EA
11XT0832G04	8-32 X 1/4 TY 23 TAPPING	1.000 EA
HW5109A13	WASHER, WAVE SPRING FOR 26MM BORE SMALLE	1.000 EA
WD4102A01	STRN RELIEF HEYCO #1214/M.P. 23MPO6L10	1.000 EA
HG0039A01L	HSG,J EP OPEN FOR SEAL W/BLACK POWDE	1.000 EA
BS0114A03L	BS,J OP 6204STD OPEN NO SNAP RING	1.000 EA
HW5109A10	WASHER, WAVE SPRING FOR 47MM BORE SMALLE	1.000 EA
15XM0832A08	SCREW, 8-32X .500, THREAD FORMING	4.000 EA
RM1020A21	O-RING,3.240 I.D. X .052 BUNA (PGS) BGA4	1.000 EA
HW4600D39	SEAL, .750 X 1.250 X .250 SINGLE	2.000 EA
HA1194B01	BLADDER,CJK EXPANSION	1.000 EA
15XM0632A06	SCREW, 6-32X .375, THREAD FORMING	3.000 EA
HA4021A05	1/16 NPSF-HX SOC PIPE PLUG TAPER DRY SEA	1.000 EA
RM1057	RUBBER SQUARE RING 1.424 I.D.	1.000 EA

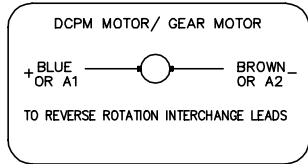
Parts List (continued)		
Part Number	Description	Quantity
19XN1032A12	SCREW, HEX WASHER HEAD, #10-32 X .750	4.000 EA
HA3100A10	THRUBOLT 10-32 X 6.250	2.000 EA
MJ1000B02	KLUB. GH6-460 GEAR OIL 1 LITER	0.030 GA
BP4529SP	BRUSH TUBE HOLDER:BBR1097	1.000 EA
BP4530SP	BRUSH TUBE CAP AE-57	1.000 EA
WM0055A08	WORM,JC 58.0 INP	1.000 EA
BCB1111-115	CABLE ASS'Y, 18-3-SJTO 24F	1.000 EA
NP1220A08	NP,DC STD AD NONE V GEAR MOTOR CE CUL	1.000 EA
HW2501D10	KEY, 3/16 SQ X 1.000	1.000 EA
LB1451	WARNING LABEL, CE WARNING SYMBOLS ONLY	1.000 EA
LB5040	INSTRUCTION TAG, AC & DC	1.000 EA
CPA1000	PACKING GROUP STD. SINGLE	1.000 EA
LB1171	LABEL CARTON 6X6 ON LINE BLANK ROLLS	1.000 EA
PK3090	2" X 7 1/8 X 6 1/2" CRADLE VIN#1665500	1.000 EA
MG2000A14	RUST VETO 342 RUST INHIBITOR	0.001 GA
ME4000	.375-.75" DIA.#SW-04 WOVEN SHAFT PROTECT	0.125 FT

Accessories		
Part Number	Description	Multiplier
BC130	FRAC DC ANALOG,115AC,50/60HZ,3A,1	E9
BC138	KBWM-120 120VAC .25-HP SCR CTL, N	E9
BC140	CS2934A,120/240VAC .5/1-HP SCR CTL,NEMA	E9
BC140-FBR	W/FOR BRAKE REV SWITCH	E9
BC141	CHASSIS MOUNT FSCN 3000A20	E9
BR0100	PLUG IN RESISTOR	E9

24A001Z010G4



NOTES:
1.) KEYWAYS: .188 x .094 x 1.250



CUSTOMER IS RESPONSIBLE FOR DETERMINING THAT BALDOR'S PRODUCT WILL PERFORM SUITABLY IN THE INTENDED APPLICATION.

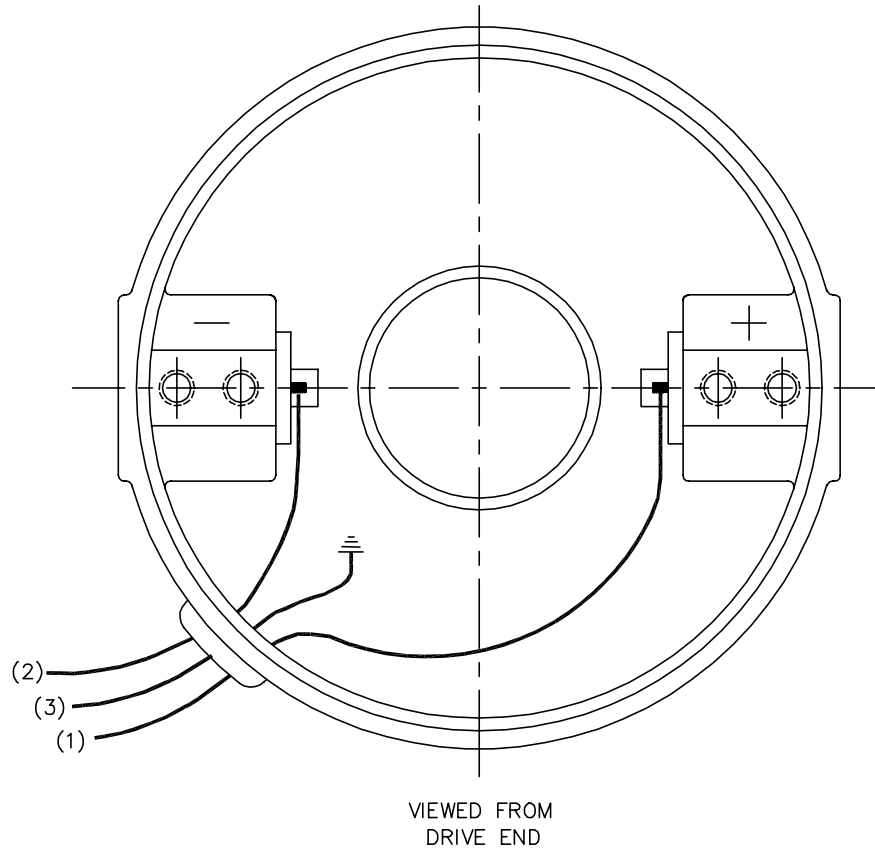
REV. DESC: NEW-REPLACES 24LYA001		
REV. LTR: -	VERSION: 00	TDR: 000000716963
FILE: \CKA\00037\044		REVISED: 11:07:26 10/17/2011
MTL: -		BY: CKAPRB0

BALDOR • DODGE • RELIANCE

LY,24DC JK DOM TENV
SH 1 of 1

24A001Z010G4

CD1899



(1) COLOR MAY BE
RED
WHT
BLU

(2) COLOR MAY BE
BLK
BRN

(3) COLOR WHEN REQ.
GRN
GRN/YEL

VIEWED FROM
DRIVE END

REV. DESC: NEW			
REV. LTR: -	BY: PAW	REVISED: 09:06:34 09/16/2004	TDR: 341564
668100		FILE: CKA00025830	REF: CD1899
		MTL: -	

BALDOR ELECTRIC Co.

PM,2LD,REV,TANG,CK

CD1899