

BALDOR® • RELIANCE

Product Information Packet

ELECTRIC MOTOR WHOLESAL.COM

GP7405

G.M. D28JA 90VDC 33:1 GP7405

Part Detail							
Revision:	T	Status:	PRD/A	Change #:		Proprietary:	No
Type:	DC	Prod. Type:		Elec. Spec:	24WZ054	CD Diagram:	
Enclosure:	TENV	Mfg Plant:		Mech. Spec:		Layout:	
Frame:	JK	Mounting:		Poles:	///	Created Date:	
Base:		Rotation:	R	Insulation:	F	Eff. Date:	06-01-2012
Field Type:		Literature:		Elec. Diagram:		Replaced By:	

Nameplate NP1220A39

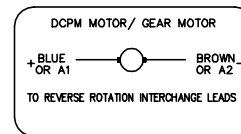
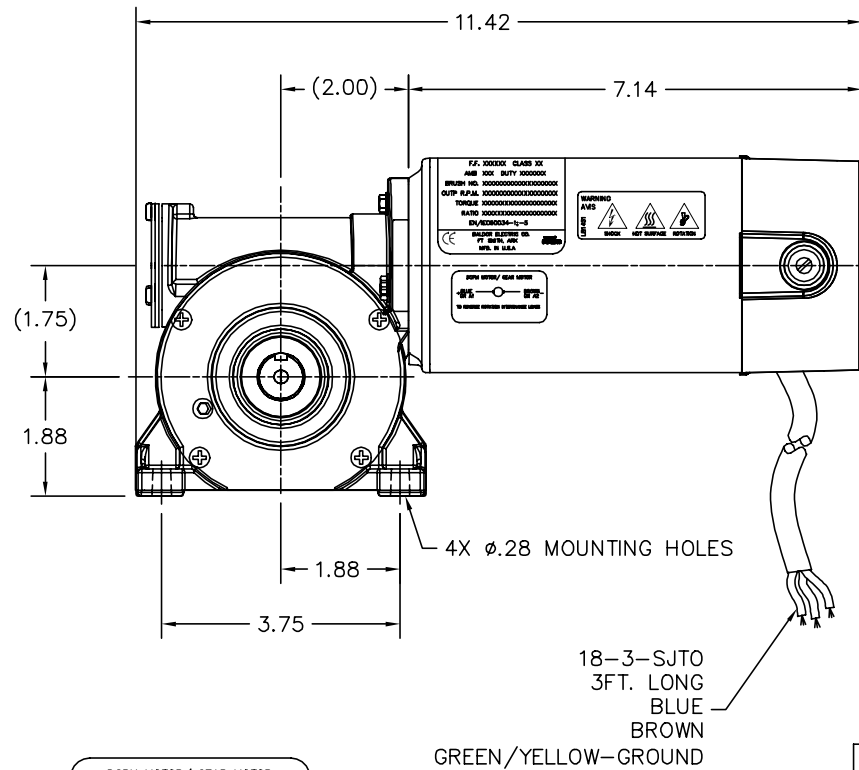
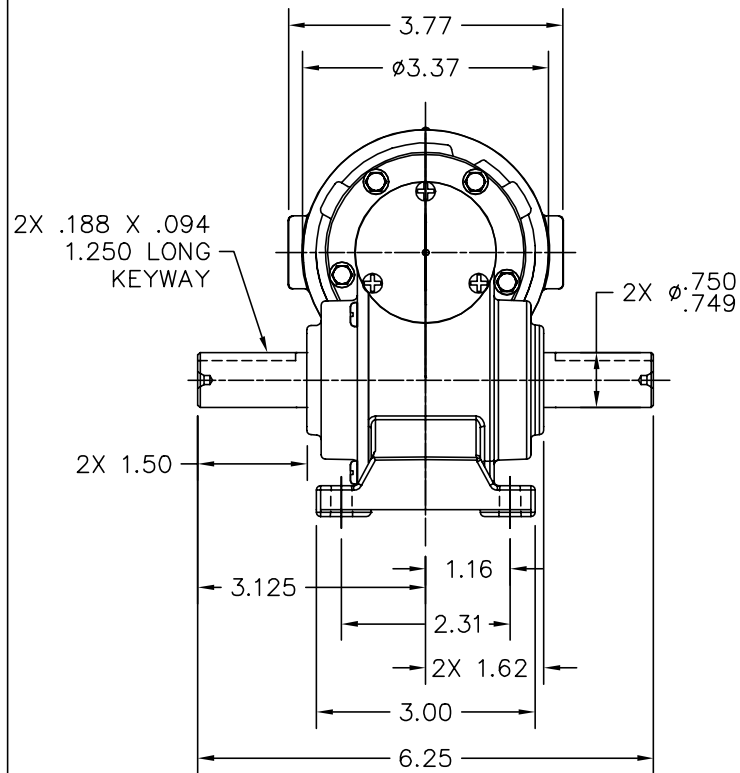
CAT.NO.	GP7405						
SER.NO							
SPEC.	24A011Z054G2						
FRAME	JK	TYPE				2428P	
HP	.25 TE	KW				.186 TE	
VOLTS	90DC						
AMP	2.05						
F.F.	1.5	CLASS				F	
AMB.	40	DUTY				CONT	
BRUSHES	2/BP5052BP01						
R.P.M.	68						
TORQ/IN LB	112	N.M.				12.7	
RATIO	33:1						
APRV-CE					APRV-CUL		

Parts List		
Part Number	Description	Quantity
SA115282	SA 24A011Z054G2	1.000 EA
AA010298	AA 24A011Z054G2	1.000 EA
SR001318	SR 24A011Z054G2	1.000 EA
LC0899A06	CONNECTION LABEL, DCPM NO ROTATION CE CO	1.000 EA
BP5052BP01SP	BRUSH, GRADE R884 NATIONAL CARBON (FOR 1	1.000 EA
24EP3106A01L	EP,24DC DE CL R8 RA VERT. THRU BOLTS	1.000 EA
HW5002A44	N5002-112 RET RING INTERNBEVELED F/6001	1.000 EA
HW4600D35	SEAL, TCM #050820SCW (.500" X .875" X	1.000 EA
24EP3102A01L	EP,24DC 0DE CL 0.63P4	1.000 EA
HW5109A13	WASHER, WAVE SPRING FOR 26MM BORE SMALLE	1.000 EA
WD4102A01	STRN RELIEF HEYCO #1214/M.P. 23MPO6L10	1.000 EA
BCB1111-115	CABLE ASS'Y, 18-3-SJTO 24F	1.000 EA
55XT0632G03	6-32 X 0.187 RD HD PHILLIPS, SERRATED	1.000 EA
BP4529SP	BRUSH TUBE HOLDER:BBR1097	1.000 EA
80XN1032A04	10-32 X 1/4 SET SCREW	2.000 EA
BP4530SP	BRUSH TUBE CAP AE-57	1.000 EA
HA3100A11	THRUBOLT 10-32 X 6.750	2.000 EA
HG0039A01L	HSG,J EP OPEN FOR SEAL W/BLACK POWDE	1.000 EA
HA4021A05	1/16 NPSF-HX SOC PIPE PLUG TAPER DRY SEA	1.000 EA
RM1057	RUBBER SQUARE RING 1.424 I.D.	1.000 EA
19XN1032A12	SCREW, HEX WASHER HEAD, #10-32 X .750	4.000 EA
HW4600D39	SEAL, .750 X 1.250 X .250 SINGLE	1.000 EA
HA1194B01	BLADDER,CJK EXPANSION	1.000 EA
15XM0632A06	SCREW, 6-32X .375, THREAD FORMING	3.000 EA

Parts List (continued)		
Part Number	Description	Quantity
BS0114A03L	BS,J OP 6204STD OPEN NO SNAP RING	1.000 EA
HW5109A10	WASHER, WAVE SPRING FOR 47MM BORE SMALLE	1.000 EA
15XM0832A08	SCREW, 8-32X .500, THREAD FORMING	4.000 EA
RM1020A21	O-RING,3.240 I.D. X .052 BUNA (PGS) BGA4	1.000 EA
HW4600D39	SEAL, .750 X 1.250 X .250 SINGLE	1.000 EA
MJ1000B02	KLUB. GH6-460 GEAR OIL 1 LITER	0.033 GA
HW2501D10	KEY, 3/16 SQ X 1.000	2.000 EA
ME4000A02	WOVEN PROTECTOR FOR SHAFT .50-1.00" DIA	0.125 FT
NP1220A39	NP,DC STD AD NONE V GEAR MOTOR CE CUL KW	1.000 EA
LB5040	INSTRUCTION TAG, AC & DC	1.000 EA
CPA1000	PACKING GROUP STD. SINGLE	1.000 EA
LB1451	WARNING LABEL, CE WARNING SYMBOLS ONLY	1.000 EA
LB1171	LABEL CARTON 6X6 ON LINE BLANK ROLLS	1.000 EA
PK3090	2" X 7 1/8 X 6 1/2" CRADLE VIN#1665500	1.000 EA
MG2000A14	RUST VETO 342 RUST INHIBITOR	0.001 GA

Accessories		
Part Number	Description	Multiplier
BC130	FRAC DC ANALOG,115AC,50/60HZ,3A,1	E9
BC138	KBWM-120 120VAC .25-HP SCR CTL, N	E9
BC140	CS2934A,120/240VAC .5/1-HP SCR CTL,NEMA	E9
BC140-FBR	W/FOR BRAKE REV SWITCH	E9
BC141	CHASSIS MOUNT FSCN 3000A20	E9
BR0050	PLUG IN RESISTOR	E9

24A011Z054G2



LABEL DETAIL

CUSTOMER IS RESPONSIBLE FOR DETERMINING THAT BALDOR'S PRODUCT WILL PERFORM SUITABLY IN THE INTENDED APPLICATION.

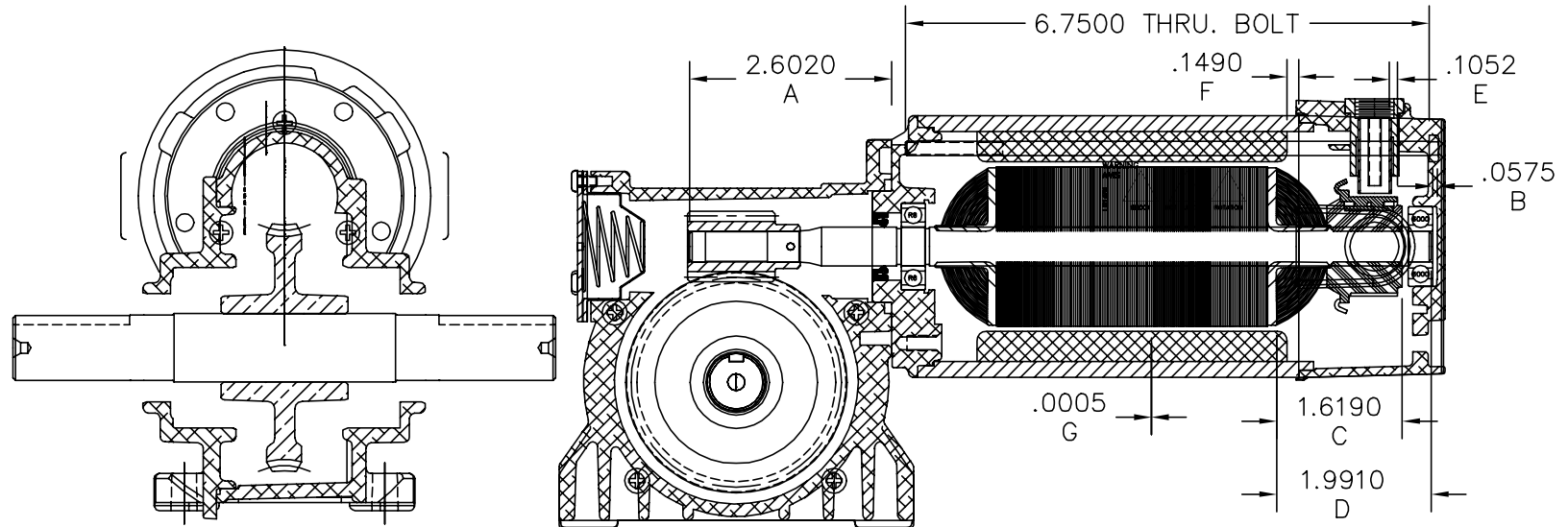
REV. DESC: ADD LB1451		
REV. LTR: C	VERSION: 03	TDR: 000000748598
FILE: \CKA\00024\921	REVISED: 09:09:08 05/30/2012	
MTL: -	BY: CKMICRO	

BALDOR

LY,24DC JK DOM TENV
SH 1 of 2

24A011Z054G2

24A011Z054G2



24A011Z054G2

CUSTOMER IS RESPONSIBLE FOR DETERMINING THAT BALDOR'S PRODUCT WILL PERFORM SUITABLY IN THE INTENDED APPLICATION.

REV. DESC: ADD LB1451			
REV. LTR: C	VERSION: 03	TDR: 000000748598	
FILE: \CKA\00024\921		REVISED: 09:09:09 05/30/2012	
MTL: -		BY: CKMICRO	

BALDOR

LY,24DC JK DOM TENV

SH 2 of 2

CD1899



(1) COLOR MAY BE
RED
WHT
BLU

(2) COLOR MAY BE
BLK
BRN

(3) COLOR WHEN REQ.
GRN
GRN/YEL

VIEWED FROM
DRIVE END

REV. DESC: NEW			
REV. LTR: -	BY: PAW	REVISED: 09:06:34 09/16/2004	TDR: 341564
668100		FILE: CKA00025830	REF: CD1899
		MTL: -	

BALDOR ELECTRIC Co.

PM,2LD,REV,TANG,CK

CD1899