

BALDOR® • RELIANCE

Product Information Packet

ELECTRIC MOTOR WHOLESAL.COM

GP7406

G.M. D28JA 90VDC 33:1 GP7406

| Part Detail | | | | | | | |
|-------------|------|-------------|-------|----------------|----------|---------------|------------|
| Revision: | T | Status: | PRD/A | Change #: | | Proprietary: | No |
| Type: | DC | Prod. Type: | | Elec. Spec: | 24WGZ023 | CD Diagram: | |
| Enclosure: | TENV | Mfg Plant: | | Mech. Spec: | | Layout: | |
| Frame: | JK | Mounting: | | Poles: | /// | Created Date: | |
| Base: | | Rotation: | | Insulation: | F | Eff. Date: | 04-11-2012 |
| Field Type: | | Literature: | | Elec. Diagram: | | Replaced By: | |

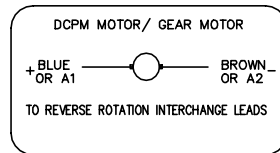
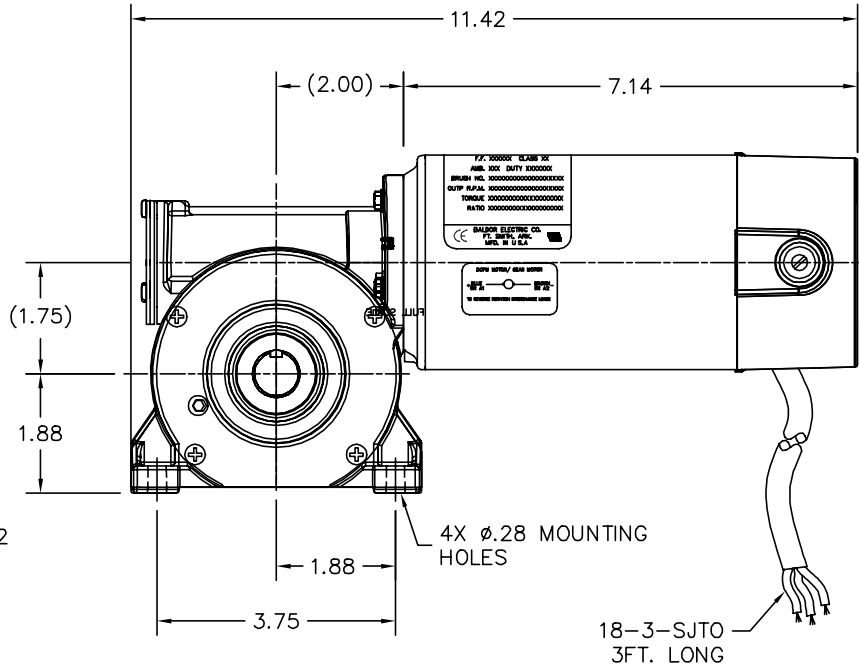
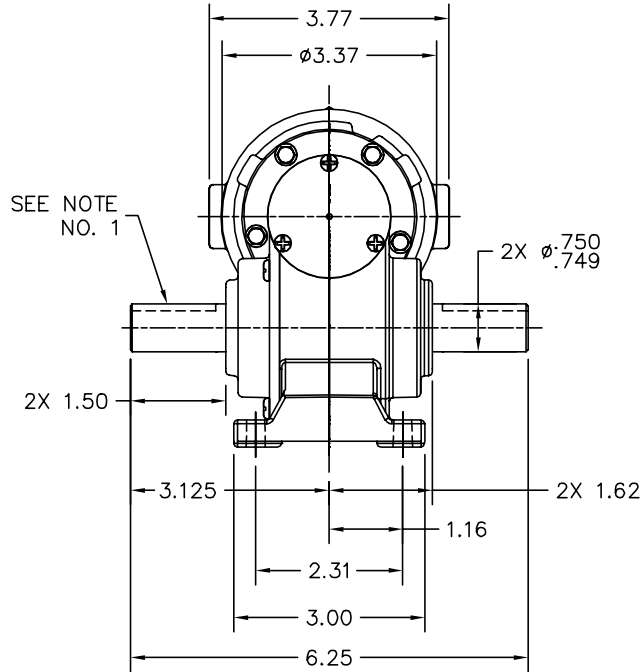
| Nameplate NP1220A08 | | | |
|---------------------|--------------|----------|-------|
| CAT.NO. | GP7406 | | |
| SER.NO | | | |
| SPEC. | 24A011Z023G5 | | |
| FRAME | JK | TYPE | 2428P |
| HP | .25 | TE | |
| VOLTS | 90DC | | |
| AMP | 2.0 | | |
| F.F. | 1.69 | CLASS | F |
| AMB. | 40 | DUTY | CONT |
| BRUSHES | 2/BP5052BP01 | | |
| R.P.M. | 104 | | |
| TORQ/IN LB | 75 | | |
| RATIO | 33:1 | | |
| APRV-CE | | APRV-CUL | |

| Parts List | | |
|--------------|--|----------|
| Part Number | Description | Quantity |
| SA113607 | SA 24A011Z023G5 | 1.000 EA |
| AA010169 | AA 24A011Z023G5 | 1.000 EA |
| SR001264 | SR 24A011Z023G5 | 1.000 EA |
| LC0899A06 | CONNECTION LABEL, DCPM NO ROTATION CE CO | 1.000 EA |
| BP5052BP01SP | BRUSH, GRADE R884 NATIONAL CARBON (FOR 1 | 1.000 EA |
| 24EP3106A04L | EP,24DC DE CL 6200 RA VERT. THRU BOLTS | 1.000 EA |
| HW5002A45 | RETAINING RING,WALDES TRUARC N5002-118 | 1.000 EA |
| HW4600D28 | SEAL,10X20X4MM TCM #03907815PSCW | 1.000 EA |
| 24EP3102A01L | EP,24DC 0DE CL 0.63P4 | 1.000 EA |
| HW5109A13 | WASHER, WAVE SPRING FOR 26MM BORE SMALLE | 1.000 EA |
| WD4102A01 | STRN RELIEF HEYCO #1214/M.P. 23MPO6L10 | 1.000 EA |
| BCB1111-115 | CABLE ASS'Y, 18-3-SJTO 24F | 1.000 EA |
| 55XT0632G03 | 6-32 X 0.187 RD HD PHILLIPS, SERRATED | 1.000 EA |
| BP4529SP | BRUSH TUBE HOLDER:BBR1097 | 1.000 EA |
| 80XN1032A04 | 10-32 X 1/4 SET SCREW | 2.000 EA |
| BP4530SP | BRUSH TUBE CAP AE-57 | 1.000 EA |
| HA3100A11 | THRUBOLT 10-32 X 6.750 | 2.000 EA |
| HG0039A01L | HSG,J EP OPEN FOR SEAL W/BLACK POWDE | 1.000 EA |
| HA4021A05 | 1/16 NPSF-HX SOC PIPE PLUG TAPER DRY SEA | 1.000 EA |
| RM1057 | RUBBER SQUARE RING 1.424 I.D. | 1.000 EA |
| 19XN1032A12 | SCREW, HEX WASHER HEAD, #10-32 X .750 | 4.000 EA |
| HW4600D39 | SEAL, .750 X 1.250 X .250 SINGLE | 1.000 EA |
| HA1194B01 | BLADDER,CJK EXPANSION | 1.000 EA |
| 15XM0632A06 | SCREW, 6-32X .375, THREAD FORMING | 3.000 EA |

| Parts List (continued) | | |
|------------------------|--|----------|
| Part Number | Description | Quantity |
| BS0114A03L | BS,J OP 6204STD OPEN NO SNAP RING | 1.000 EA |
| HW5109A10 | WASHER, WAVE SPRING FOR 47MM BORE SMALLE | 1.000 EA |
| 15XM0832A08 | SCREW, 8-32X .500, THREAD FORMING | 4.000 EA |
| RM1020A21 | O-RING,3.240 I.D. X .052 BUNA (PGS) BGA4 | 1.000 EA |
| HW4600D39 | SEAL, .750 X 1.250 X .250 SINGLE | 1.000 EA |
| MJ1000B02 | KLUB. GH6-460 GEAR OIL 1 LITER | 0.033 GA |
| HW2501D10 | KEY, 3/16 SQ X 1.000 | 2.000 EA |
| ME4000A02 | WOVEN PROTECTOR FOR SHAFT .50-1.00" DIA | 0.125 FT |
| NP1220A08 | NP,DC STD AD NONE V GEAR MOTOR CE CUL | 1.000 EA |
| LB5040 | INSTRUCTION TAG, AC & DC | 1.000 EA |
| CPA1000 | PACKING GROUP STD. SINGLE | 1.000 EA |
| LB1171 | LABEL CARTON 6X6 ON LINE BLANK ROLLS | 1.000 EA |
| PK3090 | 2" X 7 1/8 X 6 1/2" CRADLE VIN#1665500 | 1.000 EA |
| MG2000A14 | RUST VETO 342 RUST INHIBITOR | 0.001 GA |

| Accessories | | |
|-------------|---|------------|
| Part Number | Description | Multiplier |
| BC130 | FRAC DC ANALOG,115AC,50/60HZ,3A,1 | E9 |
| BC138 | KBWM-120 120VAC .25-HP SCR CTL, N | E9 |
| BC140 | CS2934A,120/240VAC .5/1-HP SCR CTL,NEMA | E9 |
| BC140-FBR | W/FOR BRAKE REV SWITCH | E9 |
| BC141 | CHASSIS MOUNT FSCN 3000A20 | E9 |
| BR0050 | PLUG IN RESISTOR | E9 |

24A011Z023G5



LABEL DETAIL

NOTES:

- 1.) KEYWAYS: .188 x .094 x 1.250

CUSTOMER IS RESPONSIBLE FOR DETERMINING THAT BALDOR'S PRODUCT WILL PERFORM SUITABLY IN THE INTENDED APPLICATION.

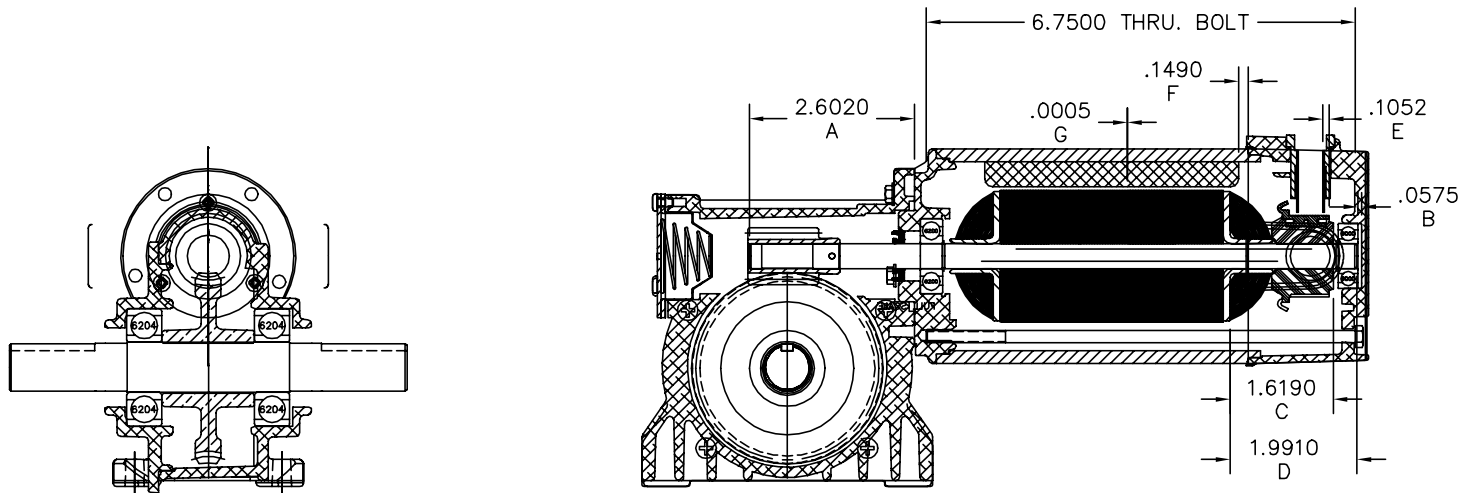
| | | |
|---|-------------|------------------------------|
| REV. DESC: CHANGE OUTPUT SHAFT TOL TO .750/.749 | | |
| REV. LTR: A | VERSION: 01 | TDR: 000000714835 |
| FILE: \CKA\00024\403 | | REVISED: 09:58:40 10/05/2011 |
| MTL: - | | BY: CKJASWO |

BALDOR


LY,24DC JK DOM TENV
SH 1 of 2

24A011Z023G5

24A011Z023G5



CUSTOMER IS RESPONSIBLE FOR DETERMINING THAT BALDOR'S PRODUCT WILL PERFORM SUITABLY IN THE INTENDED APPLICATION.

| | | |
|---|-------------------------------|---|
| REV. DESC: CHANGE OUTPUT SHAFT TOL TO .750/.749 | |  LY,24DC JK DOM TENV SH 2 of 2 |
| REV. LTR: A | VERSION: 01 | |
| FILE: \CKA\00024\403 | REVISD: 09: 58: 41 10/05/2011 | |
| MTL: - | BY: CKJASWO | |

24A011Z023G5

CD1899



(1) COLOR MAY BE
RED
WHT
BLU

(2) COLOR MAY BE
BLK
BRN

(3) COLOR WHEN REQ.
GRN
GRN/YEL

VIEWED FROM
DRIVE END

| | | | |
|----------------|---------|------------------------------|-------------|
| REV. DESC: NEW | | | |
| REV. LTR: - | BY: PAW | REVISED: 09:06:34 09/16/2004 | TDR: 341564 |
| 668100 | | FILE: CKA00025830 | REF: CD1899 |
| | | MTL: - | |

BALDOR ELECTRIC Co.

PM,2LD,REV,TANG,CK

CD1899