

BALDOR® • RELIANCE

Product Information Packet

ELECTRIC MOTOR WHOLESAL.COM

GP7409

G.M. D24EA 90V DC 180:1 GP7409

Part Detail							
Revision:	T	Status:	PRD/A	Change #:		Proprietary:	No
Type:	DC	Prod. Type:		Elec. Spec:	24WGZ156	CD Diagram:	
Enclosure:	TENV	Mfg Plant:		Mech. Spec:		Layout:	
Frame:	EB	Mounting:		Poles:	///	Created Date:	
Base:		Rotation:	R	Insulation:	F	Eff. Date:	04-26-2012
Field Type:		Literature:		Elec. Diagram:		Replaced By:	

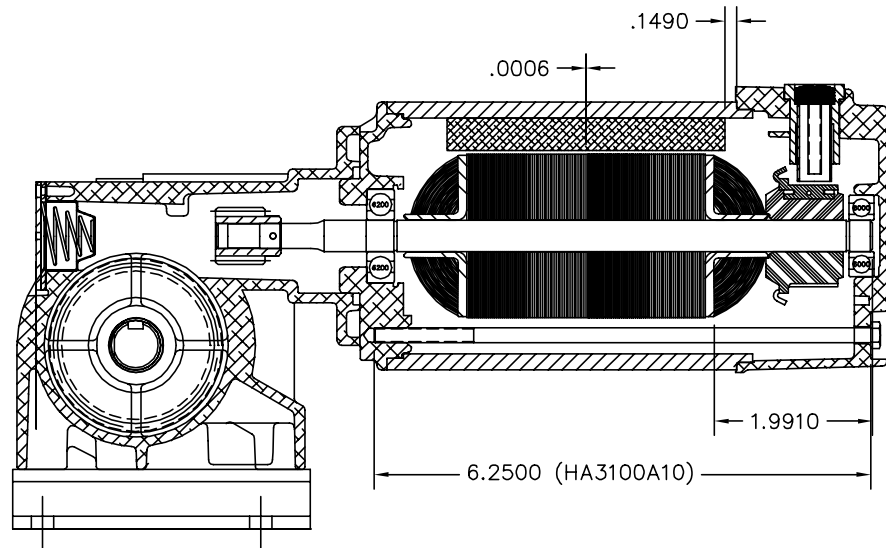
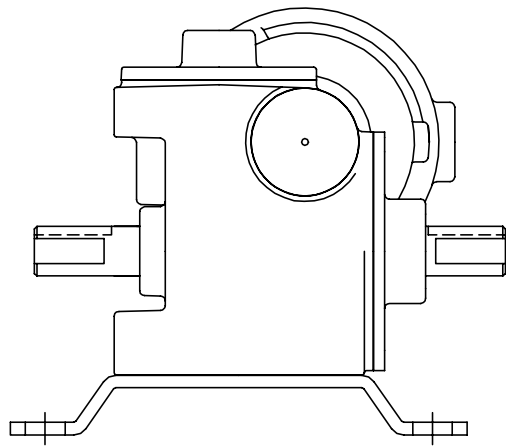
Nameplate NP1220A08			
CAT.NO.	GP7409		
SER.NO			
SPEC.	24A403Z156G1		
FRAME	EB	TYPE	2424P
HP	.25	TE	
VOLTS	90DC		
AMP	1.48		
F.F.	1.59	CLASS	F
AMB.	40	DUTY	CONT
BRUSHES	2/BP5052BP01		
R.P.M.	20		
TORQ/IN LB	175		
RATIO	180:1		
APRV-CE		APRV-CUL	

Parts List		
Part Number	Description	Quantity
SA116357	SA 24A403Z156G1	1.000 EA
AA010401	AA 24A403Z156G1	1.000 EA
SR001340	SR 24A403Z156G1	1.000 EA
WR000330	WR 24A403Z156G1	1.000 EA
LC0899A06	CONNECTION LABEL, DCPM NO ROTATION CE CO	1.000 EA
BP5052BP01SP	BRUSH, GRADE R884 NATIONAL CARBON (FOR 1	1.000 EA
24EP3106A02L	EP,24DC DE CL 6200 RA HOR. THRU BOLTS	1.000 EA
HW5002A45	RETAINING RING,WALDES TRUARC N5002-118	1.000 EA
HW4600D28	SEAL,10X20X4MM TCM #03907815PSCW	1.000 EA
RM1057	RUBBER SQUARE RING 1.424 I.D.	1.000 EA
24EP3102A01L	EP,24DC 0DE CL 0.63P4	1.000 EA
HW5109A13	WASHER, WAVE SPRING FOR 26MM BORE SMALLE	1.000 EA
80XN1032A04	10-32 X 1/4 SET SCREW	2.000 EA
WD4102A01	STRN RELIEF HEYCO #1214/M.P. 23MPO6L10	1.000 EA
BCB1111-115	CABLE ASS'Y, 18-3-SJTO 24F	1.000 EA
BP4529SP	BRUSH TUBE HOLDER:BBR1097	1.000 EA
BP4530SP	BRUSH TUBE CAP AE-57	1.000 EA
55XT0632G03	6-32 X 0.187 RD HD PHILLIPS, SERRATED	1.000 EA
HA3100A10	THRUBOLT 10-32 X 6.250	2.000 EA
HG0062A08L	HSG,EB EX OPEN .720 OUTPUT 4 HOLE M	1.000 EA
19XN1032A12	SCREW, HEX WASHER HEAD, #10-32 X .750	4.000 EA
HW4600D29	SEAL, TCM #060871SC-G (.625" X .875"	1.000 EA
BH1168A01	10SF10 SLEEVE BRG, .625 ID X .625 WIDE	1.000 EA
15XM0832A08	SCREW, 8-32X .500, THREAD FORMING	4.000 EA

Parts List (continued)		
Part Number	Description	Quantity
BH1104	PAPZ0808-P14 SLEEVE BRG	1.000 EA
15XM0832A08	SCREW, 8-32X .500, THREAD FORMING	3.000 EA
HA1194B02	BLADDER,BDE EXPANSION	1.000 EA
15XM0632A06	SCREW, 6-32X .375, THREAD FORMING	3.000 EA
25BA4001L	25BA4001-BLACK POWDER COATED	1.000 EA
51XN2520A08	SCREW, HEX WS SLT, SERR .25-20 X .50	4.000 EA
BCG5491-001L	HSG,B CAP STD CLOSED	1.000 EA
BH1104	PAPZ0808-P14 SLEEVE BRG	1.000 EA
RM1078	RUBBER SQUARE RING 1.864 I.D.	1.000 EA
BCG1120-004L	CAP, "E" BOX	1.000 EA
BH1168A01	10SF10 SLEEVE BRG, .625 ID X .625 WIDE	1.000 EA
RM1098A02	RUBBER SQUARE RING TS-000-036 2.375 I.D.	1.000 EA
HW4600D29	SEAL, TCM #060871SC-G (.625" X .875"	1.000 EA
MJ1000A51	MOBILITH SHC007 WORM GEAR LUBE BLU4968	0.270 LB
BMH3177	7EY,3/16 SQ X 3/4	2.000 EA
NP1220A08	NP,DC STD AD NONE V GEAR MOTOR CE CUL	1.000 EA
LB5040	INSTRUCTION TAG, AC & DC	1.000 EA
CPA1000	PACKING GROUP STD. SINGLE	1.000 EA
LB1171	LABEL CARTON 6X6 ON LINE BLANK ROLLS	1.000 EA
MG2000A14	RUST VETO 342 RUST INHIBITOR	0.001 GA
ME4000	.375-.75" DIA.#SW-04 WOVEN SHAFT PROTECT	0.080 FT

Accessories		
Part Number	Description	Multiplier
BC115	FRAC DC ANALOG,115AC,50/60HZ,1.5A,1	E9
BC138	KBWM-120 120VAC .25-HP SCR CTL, N	E9
BC140	CS2934A,120/240VAC .5/1-HP SCR CTL,NEMA	E9
BC140-FBR	W/FOR BRAKE REV SWITCH	E9
BC141	CHASSIS MOUNT FSCN 3000A20	E9
BR0050	PLUG IN RESISTOR	E9

24A403Z156G1



CUSTOMER IS RESPONSIBLE FOR DETERMINING THAT MOTOR PERFORMANCE IS SUITABLE IN THE APPLICATION.

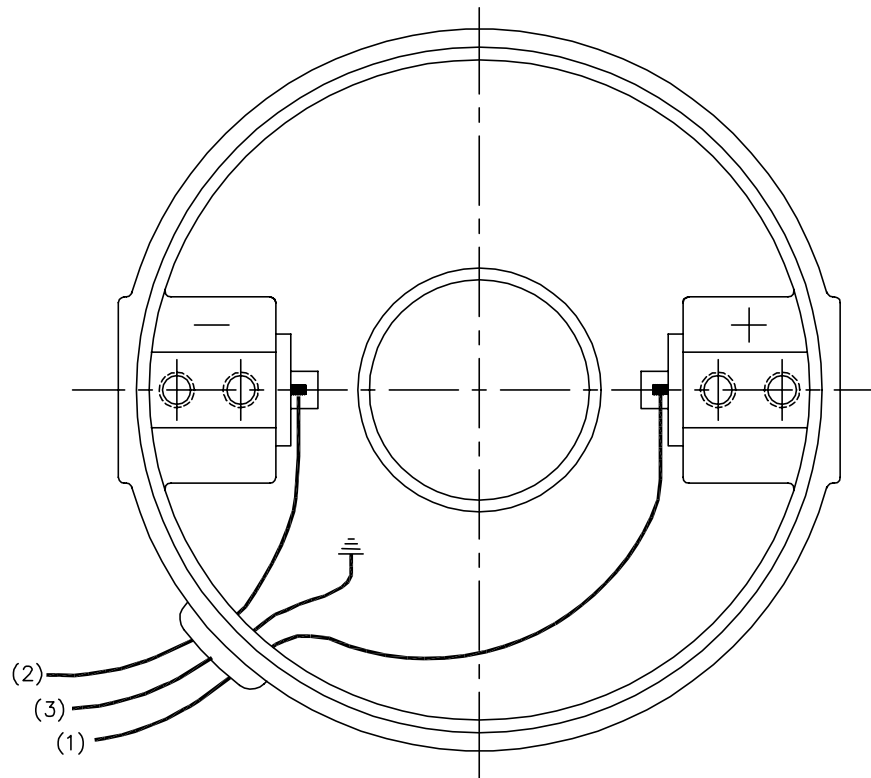
REV. DESC: CORRECT BASE LOCATIONS			
REV. LTR: A	VERSION: 01	TDR: 000000387158	
24A403Z156G1	FILE: \CKA\00024\927	REVISED: 08:34:35 01/30/2006	
	MTL: -	BY: CKMARD0	

BALDOR ELECTRIC Co.

LY,24DC EB DOM TENV 1.000 0.625 KEYS & FLATS

24A403Z156G1

CD1899



(1) COLOR MAY BE
RED
WHT
BLU

(2) COLOR MAY BE
BLK
BRN

(3) COLOR WHEN REQ.
GRN
GRN/YEL

VIEWED FROM
DRIVE END

REV. DESC: NEW			
REV. LTR: -	BY: PAW	REVISED: 09:06:34 09/16/2004	TDR: 341564
668100		FILE: CKA00025830	REF: CD1899
		MTL: -	

BALDOR ELECTRIC Co.

PM,2LD,REV,TANG,CK

CD1899