

# **BALDOR® • RELIANCE**

**Product Information Packet**

**ELECTRIC MOTOR WHOLESAL.COM**

**GP7420**

**G.M. D24JA 180VDC 173RPM CAT# GP7420**

Part Detail							
Revision:	S	Status:	PRD/A	Change #:		Proprietary:	No
Type:	DC	Prod. Type:		Elec. Spec:	24WGZ134	CD Diagram:	
Enclosure:	TENV	Mfg Plant:		Mech. Spec:		Layout:	
Frame:	JK	Mounting:		Poles:	///	Created Date:	
Base:		Rotation:		Insulation:	F	Eff. Date:	04-11-2012
Field Type:		Literature:		Elec. Diagram:		Replaced By:	

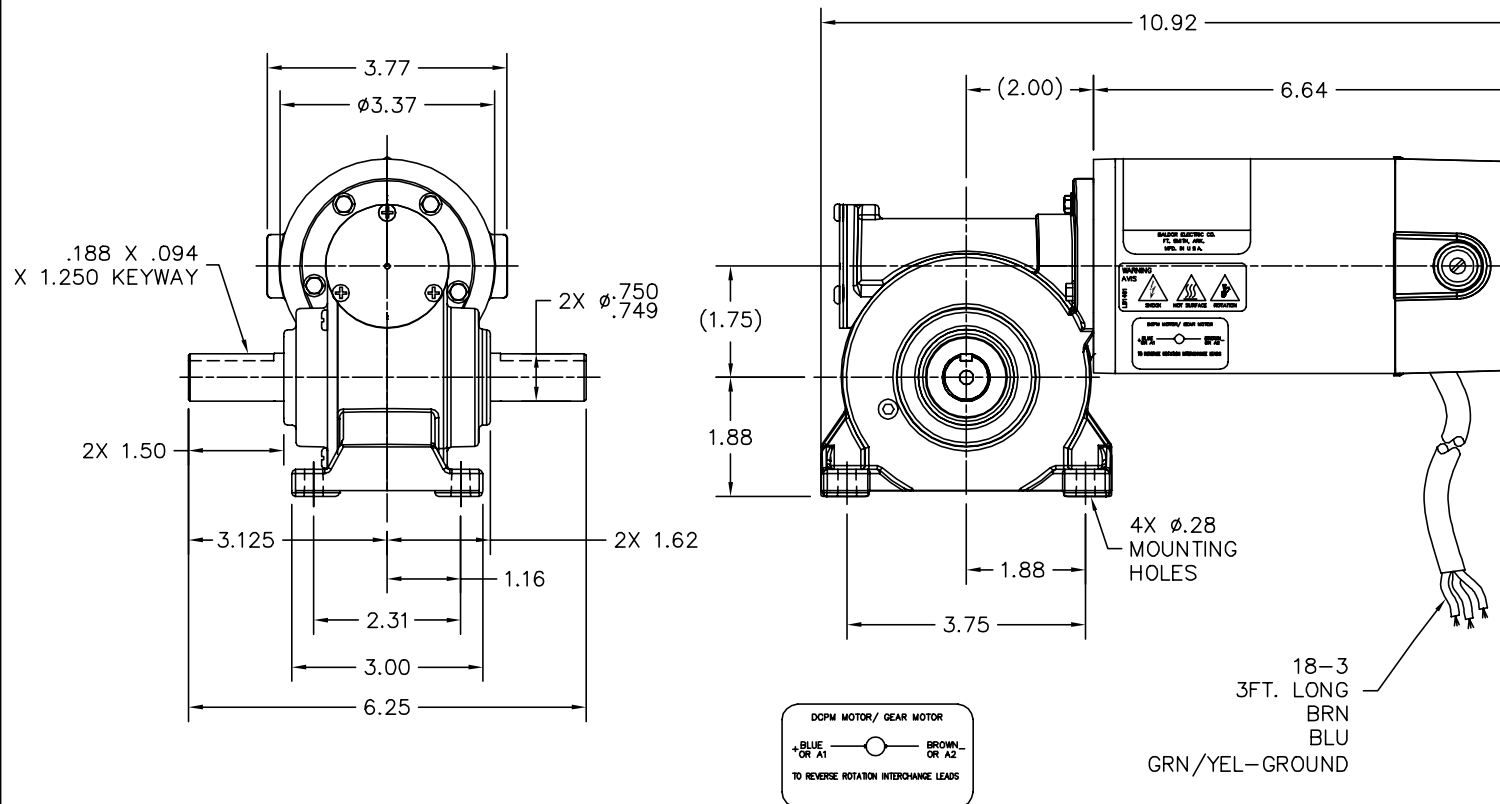
Nameplate NP1220A08			
CAT.NO.	GP7420		
SER.NO			
SPEC.	24A001Z134G1		
FRAME	JK	TYPE	2424P
HP	.13	TE	
VOLTS	180DC		
AMP	.66		
F.F.	1.44	CLASS	F
AMB.	40	DUTY	CONT
BRUSHES	2/BP5052BP01		
R.P.M.	173		
TORQ/IN LB	32		
RATIO	11:1		
APRV-CE		APRV-CUL	

Parts List		
Part Number	Description	Quantity
SA119995	SA 24A001Z134G1	1.000 EA
AA010654	AA 24A001Z134G1	1.000 EA
SR001385	SR 24A001Z134G1	1.000 EA
BP5052BP01SP	BRUSH, GRADE R884 NATIONAL CARBON (FOR 1	1.000 EA
24EP3106A04L	EP,24DC DE CL 6200 RA VERT. THRU BOLTS	1.000 EA
HW5002A45	RETAINING RING,WALDES TRUARC N5002-118	1.000 EA
HW4600D28	SEAL,10X20X4MM TCM #03907815PSCW	1.000 EA
24SH4005E03	SH,ARM CJK 24 23-24 10MM	1.000 EA
24EP3102A01L	EP,24DC 0DE CL 0.63P4	1.000 EA
HW5109A13	WASHER, WAVE SPRING FOR 26MM BORE SMALLE	1.000 EA
BP4529SP	BRUSH TUBE HOLDER:BBR1097	1.000 EA
BP4530SP	BRUSH TUBE CAP AE-57	1.000 EA
80XN1032A04	10-32 X 1/4 SET SCREW	2.000 EA
BCB1111-115	CABLE ASS'Y, 18-3-SJTO 24F	1.000 EA
11XT0832G04	8-32 X 1/4 TY 23 TAPPING	1.000 EA
WD4102A01	STRN RELIEF HEYCO #1214/M.P. 23MPO6L10	1.000 EA
HA3100A10	THRUBOLT 10-32 X 6.250	2.000 EA
HG0039A01L	HSG,J EP OPEN FOR SEAL W/BLACK POWDE	1.000 EA
19XN1032A12	SCREW, HEX WASHER HEAD, #10-32 X .750	4.000 EA
RM1057	RUBBER SQUARE RING 1.424 I.D.	1.000 EA
HA4021A05	1/16 NPSF-HX SOC PIPE PLUG TAPER DRY SEA	1.000 EA
HW4600D39	SEAL, .750 X 1.250 X .250 SINGLE	1.000 EA
HA1194B01	BLADDER,CJK EXPANSION	1.000 EA
HW5109A10	WASHER, WAVE SPRING FOR 47MM BORE SMALLE	1.000 EA

Parts List (continued)		
Part Number	Description	Quantity
15XM0632A06	SCREW, 6-32X .375, THREAD FORMING	3.000 EA
BS0114A03L	BS,J OP 6204STD OPEN NO SNAP RING	1.000 EA
RM1020A21	O-RING,3.240 I.D. X .052 BUNA (PGS) BGA4	1.000 EA
HW4600D39	SEAL, .750 X 1.250 X .250 SINGLE	1.000 EA
15XM0832A08	SCREW, 8-32X .500, THREAD FORMING	4.000 EA
HW2501D10	KEY, 3/16 SQ X 1.000	2.000 EA
ME4000A02	WOVEN PROTECTOR FOR SHAFT .50-1.00" DIA	0.125 FT
MJ1000B02	KLUB. GH6-460 GEAR OIL 1 LITER	0.030 GA
NP1220A08	NP,DC STD AD NONE V GEAR MOTOR CE CUL	1.000 EA
LB1451	WARNING LABEL, CE WARNING SYMBOLS ONLY	1.000 EA
LC0899A06	CONNECTION LABEL, DCPM NO ROTATION CE CO	1.000 EA
LB5040	INSTRUCTION TAG, AC & DC	1.000 EA
CPA1000	PACKING GROUP STD. SINGLE	1.000 EA
PK3090	2" X 7 1/8 X 6 1/2" CRADLE VIN#1665500	1.000 EA
LB1171	LABEL CARTON 6X6 ON LINE BLANK ROLLS	1.000 EA
MG2000A14	RUST VETO 342 RUST INHIBITOR	0.001 GA

Accessories		
Part Number	Description	Multiplier
BC139	.25HP-230V/SCR CNTL,AC,HP RES REQ.	E9
BC140	CS2934A,120/240VAC .5/1-HP SCR CTL,NEMA	E9
BC140-FBR	W/FOR BRAKE REV SWITCH	E9
BC142	3HP-230V/ CHASSIS MOUNT/KBMM-225	E9
BR0251	PLUG IN RESISTOR	E9

24A001Z134G1



CUSTOMER IS RESPONSIBLE FOR DETERMINING THAT BALDOR'S PRODUCT WILL PERFORM SUITABLY IN THE INTENDED APPLICATION.

REV. DESC: ADD WARNING LABEL, UPDATE CABLE DESC.

REV. LTR: A	VERSION: 01	TDR: 000000733174
FILE: \CKA\00025\223	REVISED: 02:05:02 02/10/2012	
MTL: -	BY: CKAPRBO	

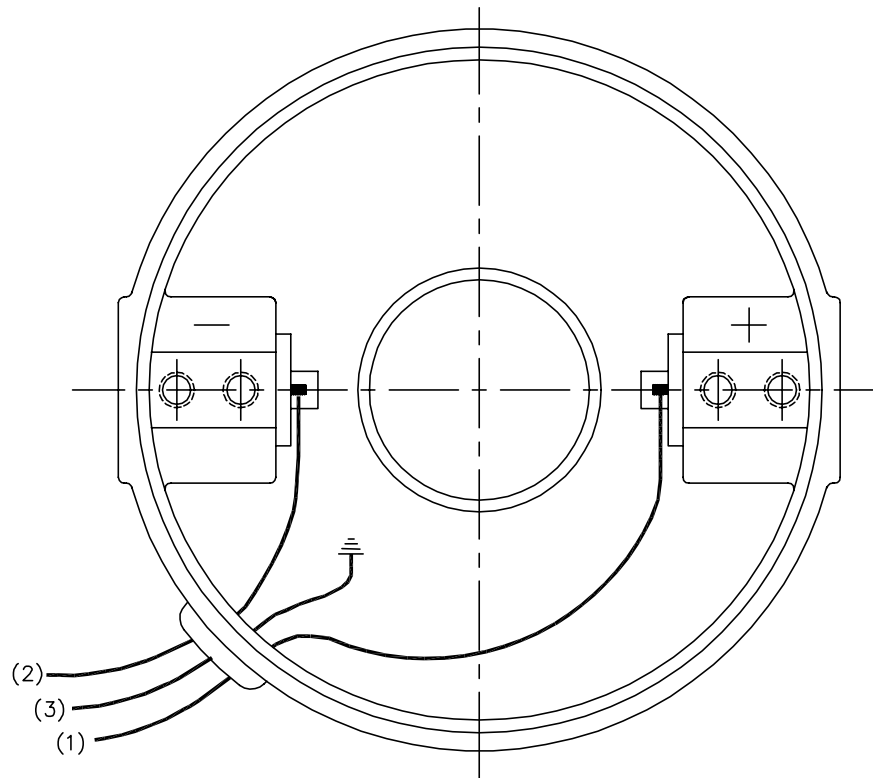
**BALDOR • DODGE • RELIANCE**

LY,24DC JK DOM TENV 2X .7500 2.00

SH 1 of 2

24A001Z134G1

CD1899



(1) COLOR MAY BE  
RED  
WHT  
BLU

(2) COLOR MAY BE  
BLK  
BRN

(3) COLOR WHEN REQ.  
GRN  
GRN/YEL

VIEWED FROM  
DRIVE END

REV. DESC: NEW			
REV. LTR: -	BY: PAW	REVISED: 09:06:34 09/16/2004	TDR: 341564
668100		FILE: CKA00025830	REF: CD1899
		MTL: -	

**BALDOR ELECTRIC Co.**

PM,2LD,REV,TANG,CK

CD1899