

BALDOR® • RELIANCE

Product Information Packet

ELECTRIC MOTOR WHOLESAL.COM

GP7425

.25 / .18HP,DC,JK-0,2428P,TENV,GM

Part Detail							
Revision:	Q	Status:	PRD/A	Change #:		Proprietary:	No
Type:	DC	Prod. Type:		Elec. Spec:	24WGZ183	CD Diagram:	
Enclosure:	TENV	Mfg Plant:		Mech. Spec:		Layout:	
Frame:	JK	Mounting:		Poles:	///	Created Date:	
Base:		Rotation:		Insulation:	F	Eff. Date:	01-30-2013
Field Type:		Literature:		Elec. Diagram:		Replaced By:	

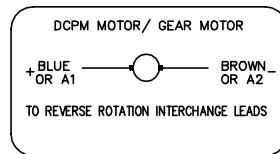
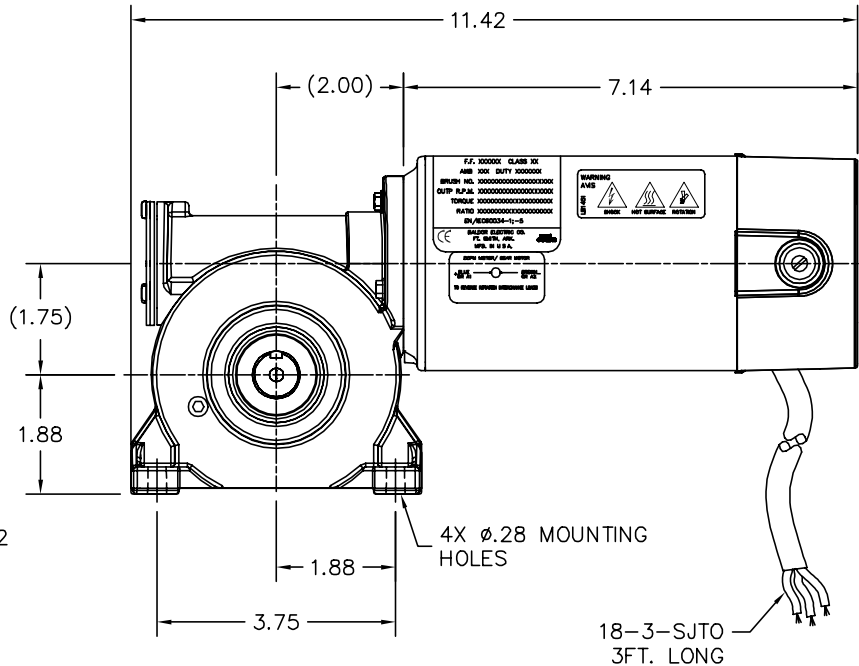
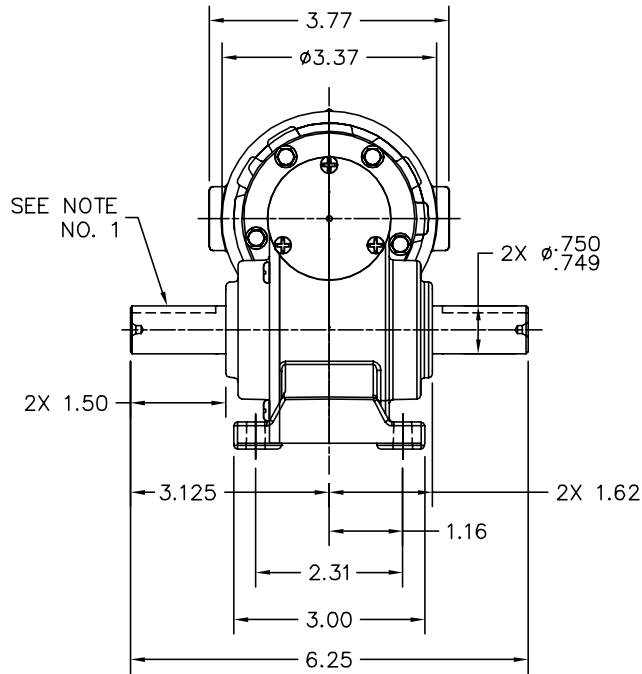
Nameplate NP1220A08			
CAT.NO.	GP7425		
SER.NO			
SPEC.	24A011Z183G1		
FRAME	JK	TYPE	2428P
HP	.25 / .18KW TE		
VOLTS	180DC		
AMP	1.30		
F.F.	1.50	CLASS	F
AMB.	40	DUTY	CONT
BRUSHES	2/BP5052BP01		
R.P.M.	68		
TORQ/IN LB	135 / 15.3NM		
RATIO	45:1		
APRV-CE		APRV-CUL	

Parts List		
Part Number	Description	Quantity
SA118927	SA 24A011Z183G1	1.000 EA
AA010581	AA 24A011Z183G1	1.000 EA
SR001369	SR 24A011Z183G1	1.000 EA
BP5052BP01SP	BRUSH, GRADE R884 NATIONAL CARBON (FOR 1	1.000 EA
24EP3106A04L	EP,24DC DE CL 6200 RA VERT. THRU BOLTS	1.000 EA
HW5002A45	RETAINING RING,WALDES TRUARC N5002-118	1.000 EA
HW4600D28	SEAL,10X20X4MM TCM #03907815PSCW	1.000 EA
24EP3102A01L	EP,24DC 0DE CL 0.63P4	1.000 EA
HW5109A13	WASHER, WAVE SPRING FOR 26MM BORE SMALLE	1.000 EA
WD4102A01	STRN RELIEF HEYCO #1214/M.P. 23MPO6L10	1.000 EA
BCB1111-115	CABLE ASS'Y, 18-3-SJTO 24F	1.000 EA
55XT0632G03	6-32 X 0.187 RD HD PHILLIPS, SERRATED	1.000 EA
BP4529SP	BRUSH TUBE HOLDER:BBR1097	1.000 EA
80XN1032A04	10-32 X 1/4 SET SCREW	2.000 EA
BP4530SP	BRUSH TUBE CAP AE-57	1.000 EA
HA3100A11	THRUBOLT 10-32 X 6.750	2.000 EA
HG0039A01L	HSG,J EP OPEN FOR SEAL W/BLACK POWDE	1.000 EA
HA4021A05	1/16 NPSF-HX SOC PIPE PLUG TAPER DRY SEA	1.000 EA
RM1057	RUBBER SQUARE RING 1.424 I.D.	1.000 EA
19XN1032A12	SCREW, HEX WASHER HEAD, #10-32 X .750	4.000 EA
HW4600D39	SEAL, .750 X 1.250 X .250 SINGLE	1.000 EA
HA1194B01	BLADDER,CJK EXPANSION	1.000 EA
15XM0632A06	SCREW, 6-32X .375, THREAD FORMING	3.000 EA
BS0114A03L	BS,J OP 6204STD OPEN NO SNAP RING	1.000 EA

Parts List (continued)		
Part Number	Description	Quantity
HW5109A10	WASHER, WAVE SPRING FOR 47MM BORE SMALLE	1.000 EA
15XM0832A08	SCREW, 8-32X .500, THREAD FORMING	4.000 EA
RM1020A21	O-RING,3.240 I.D. X .052 BUNA (PGS) BGA4	1.000 EA
HW4600D39	SEAL, .750 X 1.250 X .250 SINGLE	1.000 EA
MJ1000B02	KLUB. GH6-460 GEAR OIL 1 LITER	0.033 GA
HW2501D10	KEY, 3/16 SQ X 1.000	1.000 EA
ME4000A02	WOVEN PROTECTOR FOR SHAFT .50-1.00" DIA	0.125 FT
NP1220A08	NP,DC STD AD NONE V GEAR MOTOR CE CUL	1.000 EA
LB1451	WARNING LABEL, CE WARNING SYMBOLS ONLY	1.000 EA
LC0899A06	CONNECTION LABEL, DCPM NO ROTATION CE CO	1.000 EA
CPA1000	PACKING GROUP STD. SINGLE	1.000 EA
LB1171	LABEL CARTON 6X6 ON LINE BLANK ROLLS	1.000 EA
PK3083AWC	PK3083AWC EXPANED POLYSTYRENE CRADLE WIR	1.000 EA
MG2000A14	RUST VETO 342 RUST INHIBITOR	0.001 GA

Accessories		
Part Number	Description	Multiplier
BC139	.25HP-230V/SCR CNTL,AC,HP RES REQ.	E9
BC140	CS2934A,120/240VAC .5/1-HP SCR CTL,NEMA	E9
BC140-FBR	W/FOR BRAKE REV SWITCH	E9
BC142	3HP-230V/ CHASSIS MOUNT/KBMM-225	E9
BR0100	PLUG IN RESISTOR	E9

24A011Z183G1



LABEL DETAIL

NOTES:

- 1.) KEYWAYS: .188 x .094 x 1.250

CUSTOMER IS RESPONSIBLE FOR DETERMINING THAT BALDOR'S PRODUCT WILL PERFORM SUITABLY IN THE INTENDED APPLICATION.

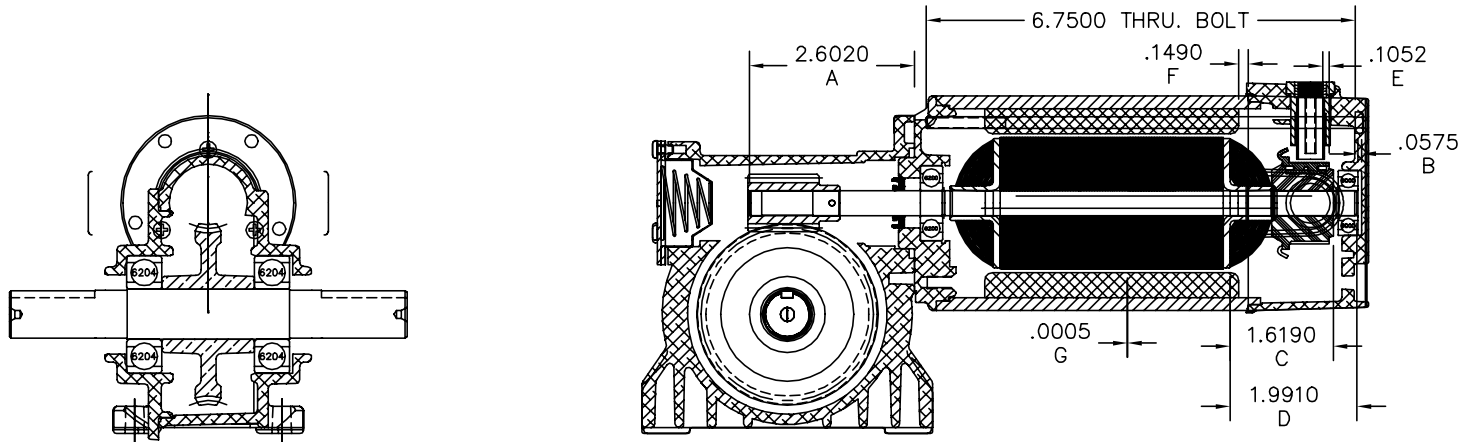
REV. DESC: ADD LB1451 TO LAYOUT		
REV. LTR: C	VERSION: 03	TDR: 000000748593
FILE: \CKA\00025\738		REVISED: 08:25:37 01/28/2013
MTL: -		BY: CKMICRO

BALDOR

LY,24DC JK DOM TENV
SH 1 of 2

24A011Z183G1

24A011Z183G1



CUSTOMER IS RESPONSIBLE FOR DETERMINING THAT BALDOR'S PRODUCT WILL PERFORM SUITABLY IN THE INTENDED APPLICATION.

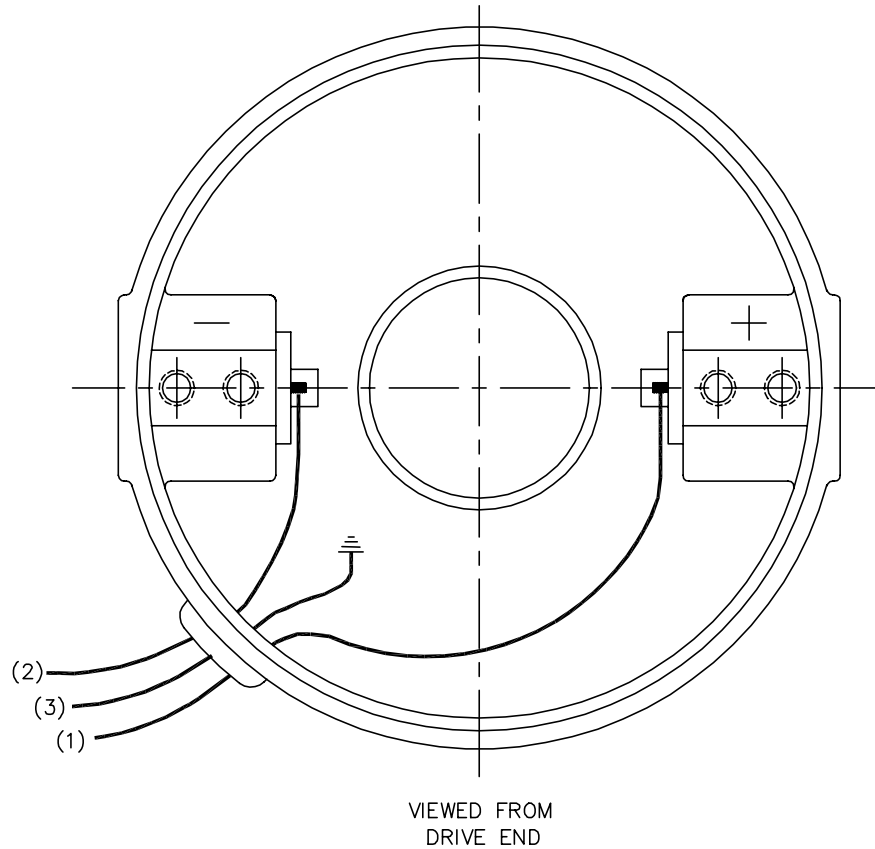
REV. DESC: ADD LB1451 TO LAYOUT			
REV. LTR: C	VERSION: 03	TDR: 000000748593	
FILE: \CKA\00025\738		REVISED: 08:25:39 01/28/2013	
MTL: -		BY: CKMICRO	

BALDOR

LY,24DC JK DOM TENV
SH 2 of 2

24A011Z183G1

CD1899



(1) COLOR MAY BE
RED
WHT
BLU

(2) COLOR MAY BE
BLK
BRN

(3) COLOR WHEN REQ.
GRN
GRN/YEL

VIEWS FROM
DRIVE END

REV. DESC: NEW			
REV. LTR: -	BY: PAW	REVISED: 09:06:34 09/16/2004	TDR: 341564
668100		FILE: CKA00025830	REF: CD1899
		MTL: -	

BALDOR ELECTRIC Co.

PM,2LD,REV,TANG,CK

CD1899