

**BALDOR® • RELIANCE**

**Product Information Packet**

**ELECTRIC MOTOR WHOLESAL.COM**

**GPF13515**

**G.M. J28JA 90V DC 15:1 167 RPM (31366B)**

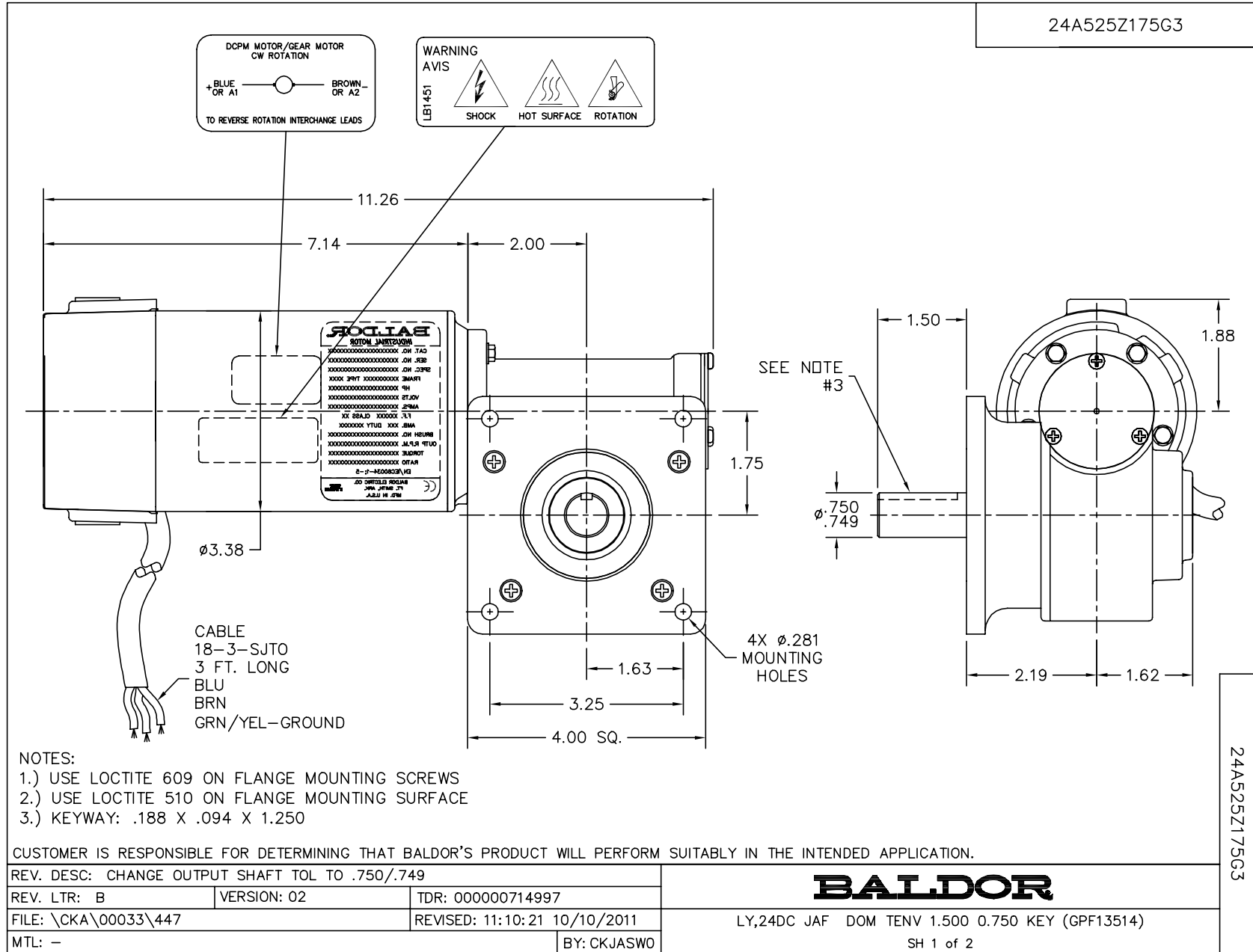
Part Detail							
Revision:	E	Status:	PRD/A	Change #:		Proprietary:	No
Type:	DC	Prod. Type:		Elec. Spec:	24WGZ175	CD Diagram:	
Enclosure:	TENV	Mfg Plant:		Mech. Spec:		Layout:	
Frame:	JAF	Mounting:		Poles:	///	Created Date:	11-26-2007
Base:		Rotation:		Insulation:	F	Eff. Date:	07-11-2011
Field Type:		Literature:		Elec. Diagram:		Replaced By:	

Nameplate NP1220A08			
CAT.NO.	GPF13515		
SER.NO			
SPEC.	24A525Z175G3		
FRAME	JAF	TYPE	2428P
HP	.25	TE	
VOLTS	90		
AMP	2.5		
F.F.	1.26	CLASS	F
AMB.	40	DUTY	CONT
BRUSHES	2/BP5052BP01		
R.P.M.	167		
TORQ/IN LB	69		
RATIO	15:1		
APRV-CE		APRV-CUL	

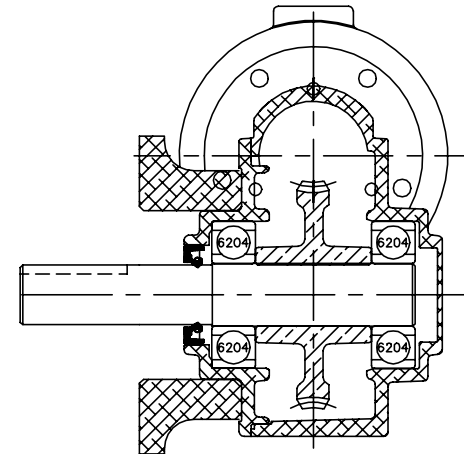
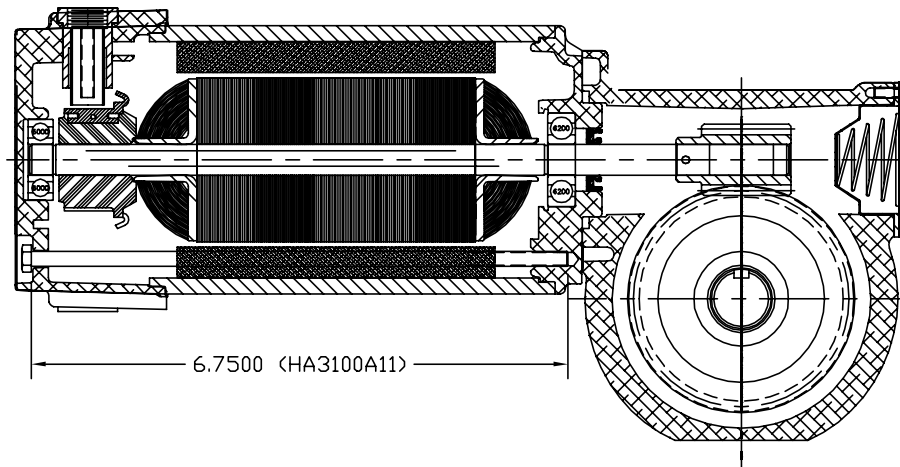
Parts List		
Part Number	Description	Quantity
SA166000	SA 24A525Z175G3	1.000 EA
AA013204	AA 24A525Z175G3	1.000 EA
SR001871	SR 24A525Z175G3	1.000 EA
LC0899A07	CONNECTION LABEL, DCPM CW ROTATION CE CO	1.000 EA
BP5052BP01SP	BRUSH, GRADE R884 NATIONAL CARBON (FOR 1	1.000 EA
24EP3102A01L	EP,24DC 0DE CL 0.63P4	1.000 EA
LD0110A24	ASM,CABLE 18-3 BRN,BLU,G/Y (4R) 40 IN.	1.000 EA
WD4102A01	STRN RELIEF HEYCO #1214/M.P. 23MPO6L10	1.000 EA
BP4529SP	BRUSH TUBE HOLDER:BBR1097	1.000 EA
BP4530SP	BRUSH TUBE CAP AE-57	1.000 EA
80XN1032A04	10-32 X 1/4 SET SCREW	2.000 EA
55XT0632G03	6-32 X 0.187 RD HD PHILLIPS, SERRATED	1.000 EA
HW5109A13	WASHER, WAVE SPRING FOR 26MM BORE SMALLE	1.000 EA
HA3100A11	THRUBOLT 10-32 X 6.750	2.000 EA
HG0040A02L	HSG,JA EX CLOSED W/ BLACK PWDER COAT	1.000 EA
HA4021A05	1/16 NPSF-HX SOC PIPE PLUG TAPER DRY SEA	1.000 EA
HW5109A10	WASHER, WAVE SPRING FOR 47MM BORE SMALLE	1.000 EA
19XN1032A12	SCREW, HEX WASHER HEAD, #10-32 X .750	4.000 EA
RM1057	RUBBER SQUARE RING 1.424 I.D.	1.000 EA
HA1194B01	BLADDER,CJK EXPANSION	1.000 EA
15XM0632A06	SCREW, 6-32X .375, THREAD FORMING	3.000 EA
BS0114A04L	BS,JAF OP 6204 W/ BLACK POWDER COAT	1.000 EA
RM1020A21	O-RING,3.240 I.D. X .052 BUNA (PGS) BGA4	1.000 EA
15XM0832A08	SCREW, 8-32X .500, THREAD FORMING	4.000 EA

Parts List (continued)		
Part Number	Description	Quantity
HW4600D39	SEAL, .750 X 1.250 X .250 SINGLE	1.000 EA
BFL1201-015L	GF,JF OP .281 W/ BLACK POWDER COAT	1.000 EA
HW2501D10	KEY, 3/16 SQ X 1.000	1.000 EA
ME4000	.375-.75" DIA.#SW-04 WOVEN SHAFT PROTECT	0.083 FT
84XN2520J08	1/4-20 X 1/2 SOC HD CAP SCREW	4.000 EA
MJ5004A04	ADHESIVE LOCTITE 609	0.010 EA
MJ5001A10	LOCTITE #510 GASKET ELIMINATOR,51041	0.010 EA
MJ1000B02	KLUB. GH6-460 GEAR OIL 1 LITER	0.030 GA
NP1220A08	NP,DC STD AD NONE V GEAR MOTOR CE CUL	1.000 EA
LB5040	INSTRUCTION TAG, AC & DC	1.000 EA
LB1451	WARNING LABEL, CE WARNING SYMBOLS ONLY	1.000 EA
CPA1000	PACKING GROUP STD. SINGLE	1.000 EA
LB1171	LABEL CARTON 6X6 ON LINE BLANK ROLLS	1.000 EA
MG2000A14	RUST VETO 342 RUST INHIBITOR	0.001 GA

Accessories		
Part Number	Description	Multiplier
BC130	FRAC DC ANALOG,115AC,50/60HZ,3A,1	E9
BC138	KBWM-120 120VAC .25-HP SCR CTL, N	E9
BC140	CS2934A,120/240VAC .5/1-HP SCR CTL,NEMA	E9
BC140-FBR	W/FOR BRAKE REV SWITCH	E9
BC141	CHASSIS MOUNT FSCN 3000A20	E9
BR0050	PLUG IN RESISTOR	E9



24A525Z175G3



CUSTOMER IS RESPONSIBLE FOR DETERMINING THAT BALDOR'S PRODUCT WILL PERFORM SUITABLY IN THE INTENDED APPLICATION.

REV. DESC: CHANGE OUTPUT SHAFT TOL TO .750/.749		
REV. LTR: B	VERSION: 02	TDR: 000000714997
FILE: \CKA\00033\447		REVISED: 11:10:21 10/10/2011
MTL: -		BY: CKJASWO

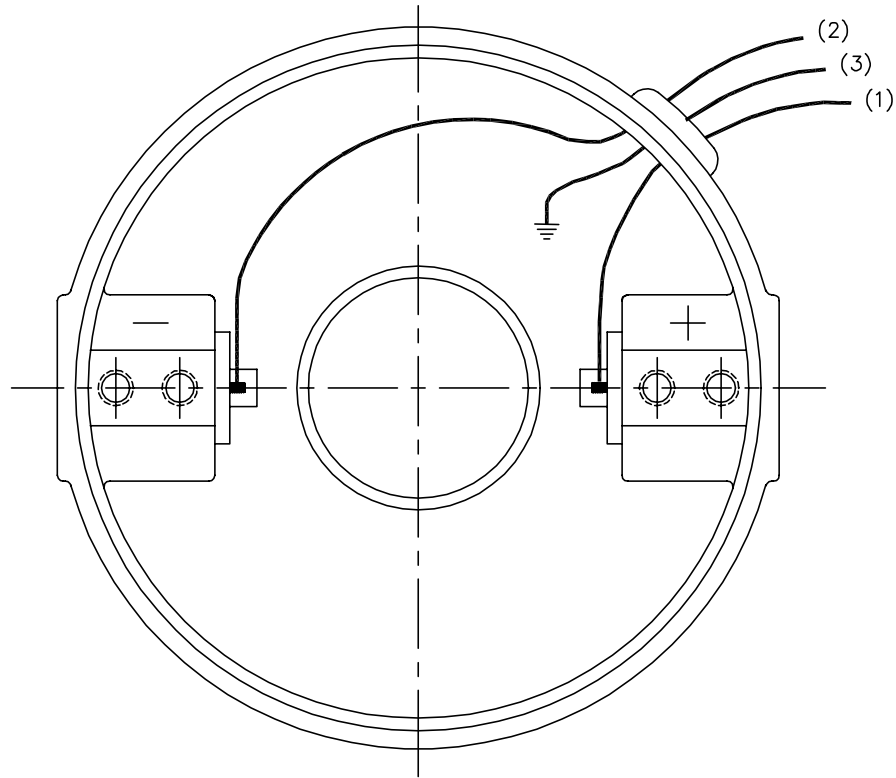
**BALDOR**

LY,24DC JAF DOM TENV 1.500 0.750 KEY (GPF13514)

SH 2 of 2

24A525Z175G3

CD1900



(1) COLOR MAY BE  
RED  
WHT  
BLU

(2) COLOR MAY BE  
BLK  
BRN

(3) COLOR WHEN REQ.  
GRN  
GRN/YEL

VIEWED FROM  
DRIVE END

REV. DESC: NEW			
REV. LTR: -	BY: PAW	REVISED: 09:34:46 09/16/2004	TDR: 341564
006100		FILE: CKA00025831	REF: CD1900
		MTL: -	

**BALDOR ELECTRIC Co.**

PM,2LD,REV,TANG,CK

CD1900