

BALDOR® • RELIANCE

Product Information Packet

ELECTRIC MOTOR WHOLESAL.COM

GPF13530

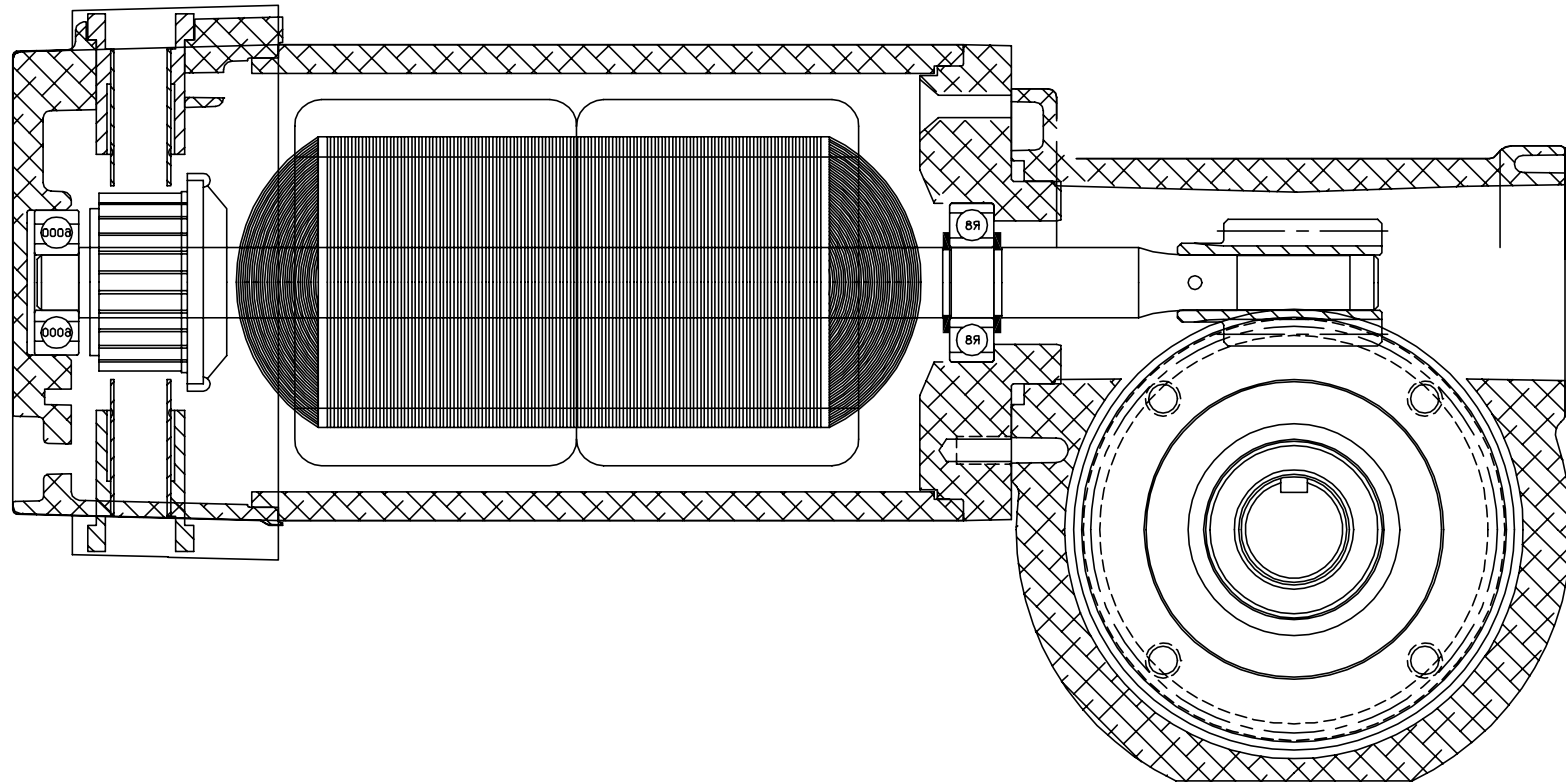
G.M. J28JA 180V DC 167 RPM

Part Detail							
Revision:	V	Status:	PRD/A	Change #:		Proprietary:	No
Type:		Prod. Type:		Elec. Spec:		CD Diagram:	
Enclosure:		Mfg Plant:		Mech. Spec:		Layout:	
Frame:		Mounting:		Poles:		Created Date:	
Base:		Rotation:	R	Insulation:		Eff. Date:	07-18-2012
Field Type:		Literature:		Elec. Diagram:		Replaced By:	
Nameplate NP1220A08							
CAT.NO.	GPF13530						
SER.NO							
SPEC.	31369B						
FRAME	135-JAF-0	TYPE	135P				
HP	1/5						
VOLTS	180DC						
AMP	1.0						
F.F.		CLASS	F				
AMB.	40C	DUTY	CONT				
BRUSHES	2/BP5052BP01						
R.P.M.	167						
TORQ/IN LB	55						
RATIO	15:1						
APRV-CE		APRV-CUL					

Parts List		
Part Number	Description	Quantity
NP1220A08	NP,DC STD AD NONE V GEAR MOTOR CE CUL	1.000 EA
LB5040	INSTRUCTION TAG, AC & DC	1.000 EA
24EP3106A05G	EP,24DC DE CL R8 RA HOR.THROUGH BOLTS	1.000 EA
HW5002A44	N5002-112 RET RING INTERNBEVELED F/6001	1.000 EA
BG60R8C03	R8 D.SH,C3,POLYREX EM (INCH BRG)	1.000 EA
HW4600D35	SEAL, TCM #050820SCW (.500" X .875" X	1.000 EA
24SA3000C06G	CTR,ASM, 135F W/GRAY POWDER COATING	1.000 EA
BWA10325G	WIRED HSG. ASM, 40" 18-3 4R POS	1.000 EA
BAA1350164	ARM.ASM, 135F W/TANG COMM.	1.000 EA
HA3100S23	THRUBOLT 10-32 X 6.812 S.S.	2.000 EA
BP5052BP01SP	BRUSH, GRADE R884 NATIONAL CARBON (FOR 1	1.000 EA
BP4530SP	BRUSH TUBE CAP AE-57	1.000 EA
HW5109A13	WASHER, WAVE SPRING FOR 26MM BORE SMALLE	1.000 EA
GH0003A25G	GEARHEAD ASS'Y.-JAF 1 CAP DESIGN 15:1	1.000 EA
LB1451	WARNING LABEL, CE WARNING SYMBOLS ONLY	1.000 EA
LC0899A07	CONNECTION LABEL, DCPM CW ROTATION CE CO	1.000 EA
CPA1000	PACKING GROUP STD. SINGLE	1.000 EA
LB1171	LABEL CARTON 6X6 ON LINE BLANK ROLLS	1.000 EA
MG2000A14	RUST VETO 342 RUST INHIBITOR	0.001 GA

Accessories		
Part Number	Description	Multiplier
BC139	.25HP-230V/SCR CNTL,AC,HP RES REQ.	E9
BC140	CS2934A,120/240VAC .5/1-HP SCR CTL,NEMA	E9
BC140-FBR	W/FOR BRAKE REV SWITCH	E9
BC142	3HP-230V/ CHASSIS MOUNT/KBMM-225	E9
BR0100	PLUG IN RESISTOR	E9

31369B



31369B

CUSTOMER IS RESPONSIBLE FOR DETERMINING THAT BALDOR'S PRODUCT WILL PERFORM SUITABLY IN THE INTENDED APPLICATION.

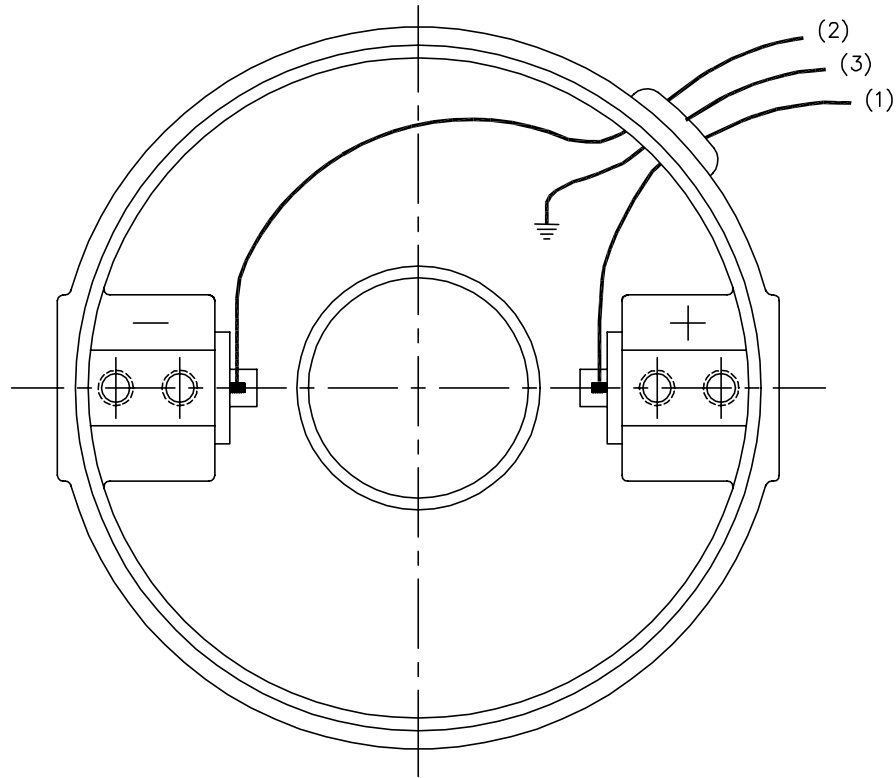
REV. DESC: ADD WARNING LABEL AND UPDATE CABLE DESC.		
REV. LTR: F	VERSION: 05	TDR: 000000740653
FILE: \CKA\00014\873	REVISED: 08:56:22 04/05/2012	
MTL: -	BY: CKAPRBO	

BALDOR • DODGE • RELIANCE

LAYOUT,1K JAF TENV GP NONE .75 1.50 KEY

SH 2 of 2

CD1900



(1) COLOR MAY BE
RED
WHT
BLU

(2) COLOR MAY BE
BLK
BRN

(3) COLOR WHEN REQ.
GRN
GRN/YEL

VIEDED FROM
DRIVE END

REV. DESC: NEW			
REV. LTR: -	BY: PAW	REVISED: 09:34:46 09/16/2004	TDR: 341564
006100		FILE: CKA00025831	REF: CD1900
		MTL: -	

BALDOR ELECTRIC Co.

PM,2LD,REV,TANG,CK

CD1900