

**BALDOR® • RELIANCE**

**Product Information Packet**

**ELECTRIC MOTOR WHOLESAL.COM**

**GPF13532**

**G.M. J28JA 180V DC 76 RPM**

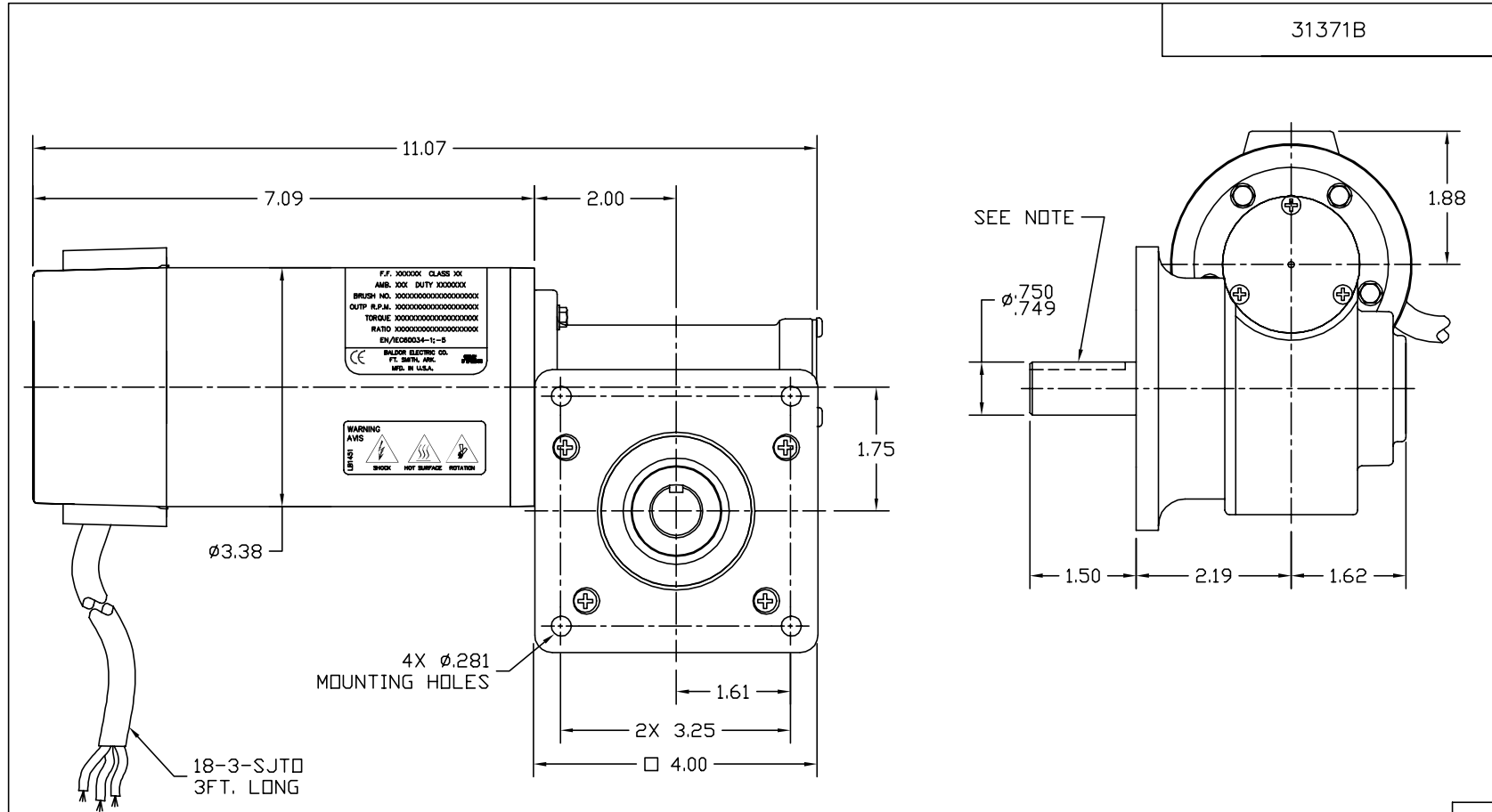
Part Detail							
Revision:	S	Status:	PRD/A	Change #:		Proprietary:	No
Type:		Prod. Type:		Elec. Spec:		CD Diagram:	
Enclosure:		Mfg Plant:		Mech. Spec:		Layout:	
Frame:		Mounting:		Poles:		Created Date:	
Base:		Rotation:	R	Insulation:		Eff. Date:	01-14-2011
Field Type:		Literature:		Elec. Diagram:		Replaced By:	

**Nameplate NP1220A08**

CAT.NO.	GPF13532						
SER.NO							
SPEC.	31371B						
FRAME	135-JAF-0	TYPE				135P	
HP	1/5						
VOLTS	180DC						
AMP	1.0						
F.F.					CLASS	F	
AMB.	40C					DUTY	CONT
BRUSHES	2/BP5052BP01						
R.P.M.	76						
TORQ/IN LB	88						
RATIO	33:1						
APRV-CE					APRV-CUL		

Parts List		
Part Number	Description	Quantity
NP1220A08	NP,DC STD AD NONE V GEAR MOTOR CE CUL	1.000 EA
LB5040	INSTRUCTION TAG, AC & DC	1.000 EA
24EP3106A05G	EP,24DC DE CL R8 RA HOR.THUR BOLTS	1.000 EA
HW5002A44	N5002-112 RET RING INTERNBEVELED F/6001	1.000 EA
BG60R8C03	R8 D.SH,C3,POLYREX EM (INCH BRG)	1.000 EA
HW4600D35	SEAL, TCM #050820SCW (.500" X .875" X	1.000 EA
24SA3000C06G	CTR,ASM, 135F W/GRAY POWDER COATING	1.000 EA
BWA10325G	WIRED HSG. ASM, 40" 18-3 4R POS	1.000 EA
BAA1350191	ARM.ASM, 135F W/TANG	1.000 EA
HA3100S23	THRUBOLT 10-32 X 6.812 S.S.	2.000 EA
BP5052BP01SP	BRUSH, GRADE R884 NATIONAL CARBON (FOR 1	1.000 EA
BP4530SP	BRUSH TUBE CAP AE-57	1.000 EA
HW5109A13	WASHER, WAVE SPRING FOR 26MM BORE SMALLE	1.000 EA
GH0003A04G	GEARHEAD ASS'Y.-JAF W/GRAY POWDER PAINT	1.000 EA
MG3000G01	EPOXY POWDER, GREY CHARCOAL	0.010 LB
CPA1000	PACKING GROUP STD. SINGLE	1.000 EA
LB1451	WARNING LABEL, CE WARNING SYMBOLS ONLY	1.000 EA
LB1171	LABEL CARTON 6X6 ON LINE BLANK ROLLS	1.000 EA
MG2000A14	RUST VETO 342 RUST INHIBITOR	0.001 GA

Accessories		
Part Number	Description	Multiplier
BC139	.25HP-230V/SCR CNTL,AC,HP RES REQ.	E9
BC140	CS2934A,120/240VAC .5/1-HP SCR CTL,NEMA	E9
BC140-FBR	W/FOR BRAKE REV SWITCH	E9
BC142	3HP-230V/ CHASSIS MOUNT/KBMM-225	E9
BR0100	PLUG IN RESISTOR	E9



31371B

31371B

NOTE:

- KEYWAY: .188 X .094 X 1.250

CUSTOMER IS RESPONSIBLE FOR DETERMINING THAT BALDOR'S PRODUCT WILL PERFORM SUITABLY IN THE INTENDED APPLICATION.

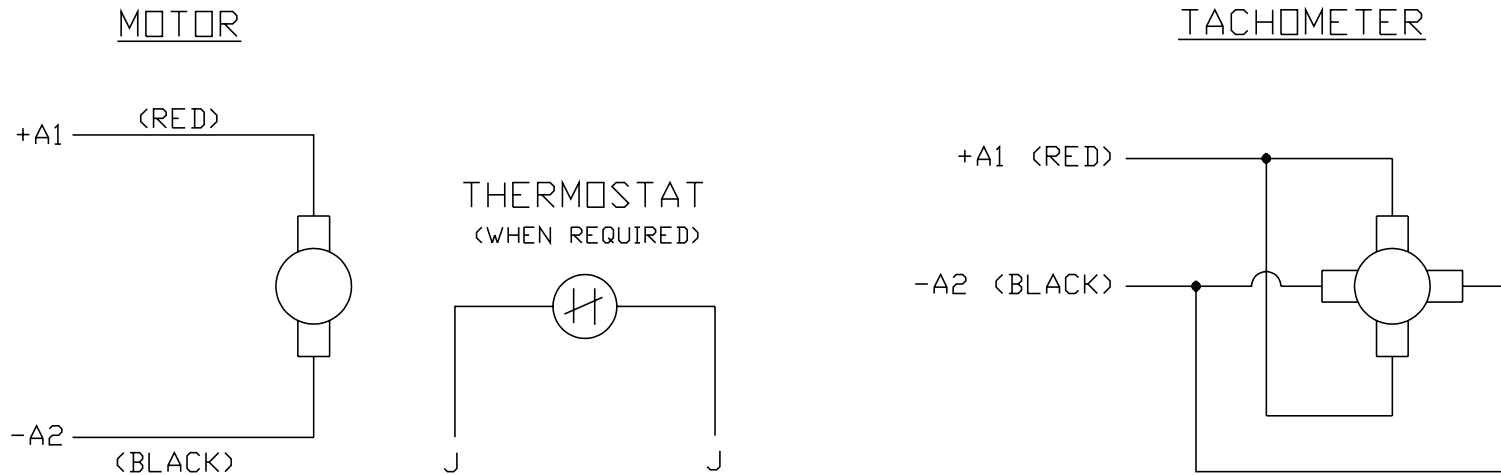
REV. DESC: CHANGE OUTPUT SHAFT TOL TO .750/.749		
REV. LTR: F	VERSION: 05	TDR: 000000714997
FILE: \CKA\00014\855		REVISED: 10:51:50 10/10/2011
MTL: -		BY: CKJASWO

**BALDOR**

LAYOUT,1K JAF TENV GP NONE .75 1.50 KEY

SH 1 of 1

CD0194



NOTES:

1. CCW ROTATION AS SHOWN FACING COMMUTATOR END. TO REVERSE MOTOR ROTATION OR TACHOMETER OUTPUT POLARITY INTERCHANGE LEADS A1(RED) & A2(BLACK)
2. LEAD COLORS FOR REFERENCE ONLY & NOT SPECIFIED BY THIS DRAWING. LEAD COLORS SPECIFIED BY LAYOUT DRAWING & BILL OF MATERIAL ONLY.

MATL: -			
REV:	E	ADDED NOTE "LEAD COLORS FOR REFERENCE ONLY &..."	
761000		SCALE: -	BY: CK
CD0194		REVISD: 07/28/95	TDR: 0078737
		FILE: AAA00004503	

**BALDOR ELECTRIC Co.**

CD TYPE P DC PERMANENT MAGNET MOTORS AND TACHOMETERS

CD0194