

# **BALDOR® • RELIANCE**

**Product Information Packet**

**ELECTRIC MOTOR WHOLESAL.COM**

**GPP12501**

**.08HP,DC,PSSH-0,2412P,TENV,F1**

Part Detail							
Revision:	U	Status:	PRD/A	Change #:		Proprietary:	No
Type:	DC	Prod. Type:		Elec. Spec:	24WGZ011	CD Diagram:	
Enclosure:	TENV	Mfg Plant:		Mech. Spec:		Layout:	
Frame:	PSSH	Mounting:		Poles:	///	Created Date:	
Base:		Rotation:		Insulation:	F	Eff. Date:	04-11-2012
Field Type:		Literature:		Elec. Diagram:		Replaced By:	

**Nameplate NP1220A21**

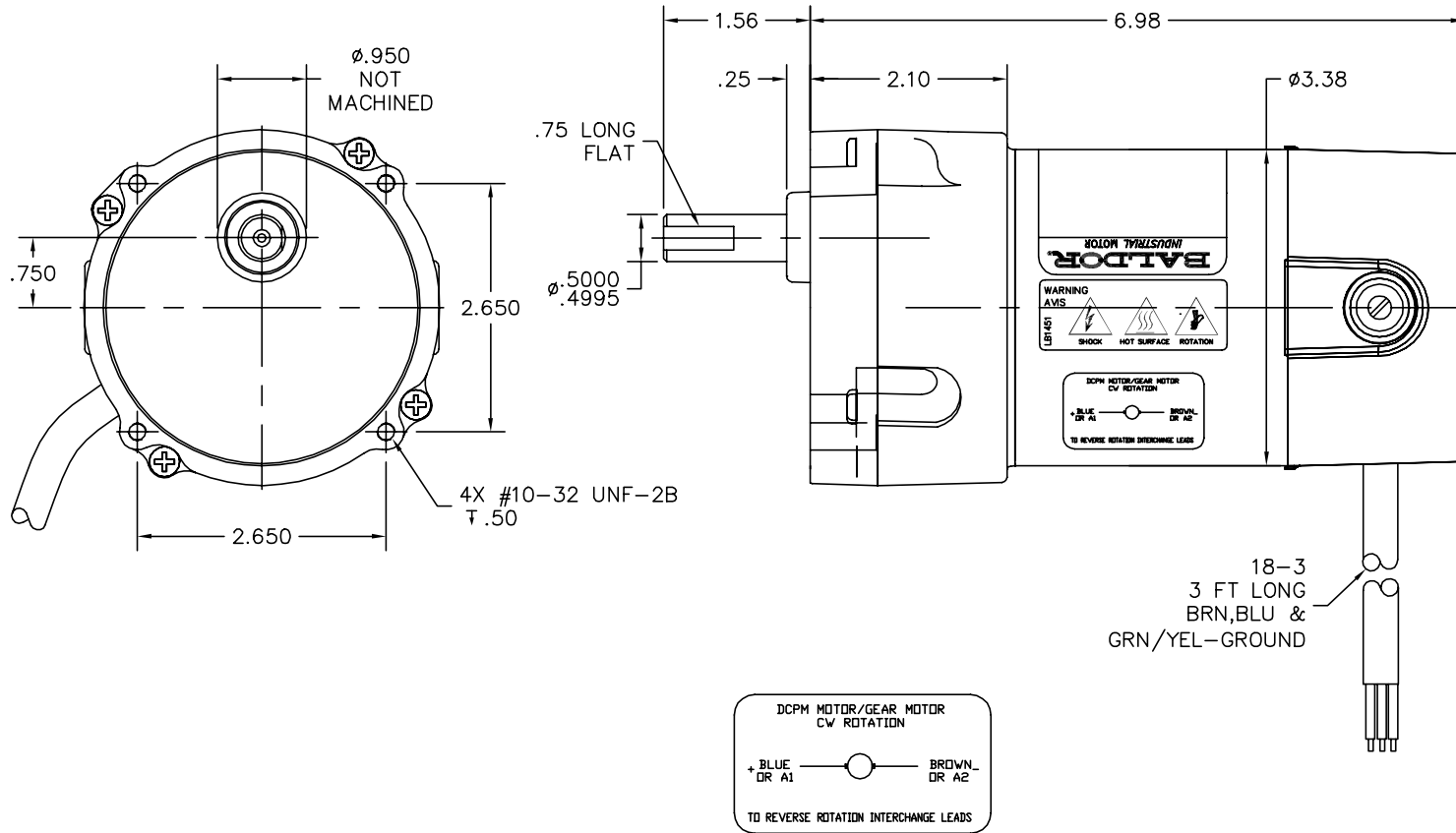
CAT.NO.	GPP12501						
SER.NO							
SPEC.	24A002Z011G1						
FRAME	PSSH					TYPE	2412P
HP	.083	TE					
VOLTS	90DC						
AMP	1.0						
F.F.	1.74					CLASS	F
AMB.	40					DUTY	CONT
BRUSHES	2/BP5052BP01						
R.P.M.	250						
TORQ/IN LB	19.7						
RATIO	10:1						
APRV-CE							
APRV-CSA							
APRV-UL							

Parts List		
Part Number	Description	Quantity
SA081246	SA 24A002Z011G1	1.000 EA
AA007748	AA 24A002Z011G1	1.000 EA
LC0899A07	CONNECTION LABEL, DCPM CW ROTATION CE CO	1.000 EA
BP5052BP01SP	BRUSH, GRADE R884 NATIONAL CARBON (FOR 1	1.000 EA
HG0047A02DL	HSG,PSSH EP CASTING 24 FR. DC MOUNT	1.000 EA
BMH1729	WASHER,PREC 1.020"X.628"X.020"	1.000 EA
HW5002A42	N5002-102 RET RING INTERNBEVELED F/6000	1.000 EA
HW3064E05	1/8 X 1/2 PIN DRIVE LOK TYPE H	1.000 EA
HW4600D28	SEAL,10X20X4MM TCM #03907815PSCW	1.000 EA
HA4021A05	1/16 NPSF-HX SOC PIPE PLUG TAPER DRY SEA	1.000 EA
24EP3102A01L	EP,24DC 0DE CL 0.63P4	1.000 EA
80XN1032A04	10-32 X 1/4 SET SCREW	2.000 EA
HW5109A13	WASHER, WAVE SPRING FOR 26MM BORE SMALLE	1.000 EA
WD4102A01	STRN RELIEF HEYCO #1214/M.P. 23MPO6L10	1.000 EA
55XT0632G03	6-32 X 0.187 RD HD PHILLIPS, SERRATED	1.000 EA
CG0001A01DL	HSG,PSSH CAP STD CASTING	1.000 EA
RM1020A21	O-RING,3.240 I.D. X .052 BUNA (PGS) BGA4	1.000 EA
BH1163A02	SCE88 INA NEEDLE ROL SM21	1.000 EA
HW4600C29	SEAL, TCM #0507416 SCW .50X.75X.165 RB	1.000 EA
15XM0832A08	SCREW, 8-32X .500, THREAD FORMING	4.000 EA
HA3100S49	THRUBOLT 10-32 X 4.81"L	2.000 EA
MJ1000B02	KLUB. GH6-460 GEAR OIL 1 LITER	0.030 GA
BP4529SP	BRUSH TUBE HOLDER:BBR1097	1.000 EA
BP4530SP	BRUSH TUBE CAP AE-57	1.000 EA

Parts List (continued)		
Part Number	Description	Quantity
BCB1111-115	CABLE ASS'Y, 18-3-SJTO 24F	1.000 EA
SG0047A07	SHAFT,ASSY PSSH SHORT INT1 2RED 2.0/5.0	1.000 EA
SG0047A08	SHAFT,ASSY PSSH SHORT OUTP 2RED 0.0/2.0	1.000 EA
NP1220A21	NP,DC STD AD NONE V GEAR MOTOR CE CSA UL	1.000 EA
LB1451	WARNING LABEL, CE WARNING SYMBOLS ONLY	1.000 EA
LB5040	INSTRUCTION TAG, AC & DC	1.000 EA
CPA1000	PACKING GROUP STD. SINGLE	1.000 EA
LB1171	LABEL CARTON 6X6 ON LINE BLANK ROLLS	1.000 EA
MG2000A14	RUST VETO 342 RUST INHIBITOR	0.001 GA

Accessories		
Part Number	Description	Multiplier
LB73	"L" BRACKET KIT FOR PSSH GEARBOX-BLACK	A8
LB73GR	"L" BRACKET KIT FOR PSSH GEARBOX-GRAY	A8
BC115	FRAC DC ANALOG,115AC,50/60HZ,1.5A,1	E9
BC138	KBWM-120 120VAC .25-HP SCR CTL, N	E9
BC140	CS2934A,120/240VAC .5/1-HP SCR CTL,NEMA	E9
BC140-FBR	W/FOR BRAKE REV SWITCH	E9
BR0100	PLUG IN RESISTOR	E9

24LYA002



CUSTOMER IS RESPONSIBLE FOR DETERMINING THAT BALDOR'S PRODUCT WILL PERFORM SUITABLY IN THE INTENDED APPLICATION.

REV. DESC: ADD CONNECTION LABEL		
REV. LTR: E	VERSION: 05	TDR: 000000723261
FILE: \CKA\00017\115	REVISED: 10:48:27 11/29/2011	
MTL: -	BY: CKAPRBO	

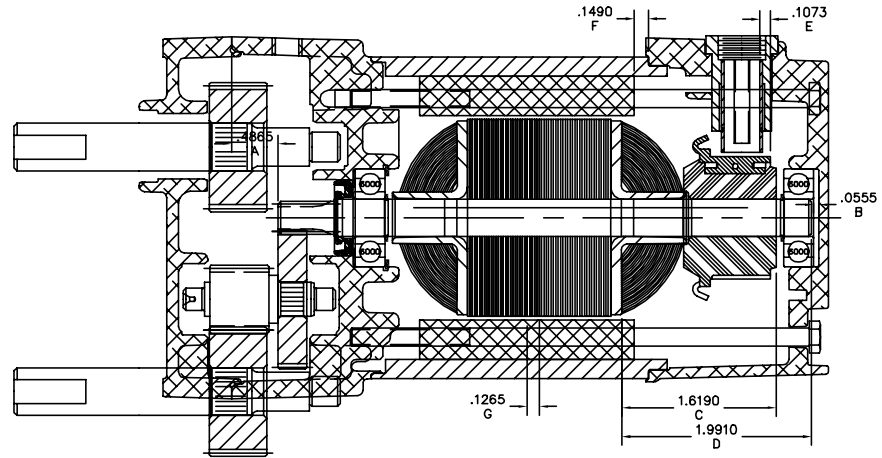
**BALDOR • DODGE • RELIANCE**

LY,24DC PSSH DOM TENV .50X1.56 EXT W/FLAT LONG

SH 1 of 2

24LYA002

24LYA002



24LYA002

CUSTOMER IS RESPONSIBLE FOR DETERMINING THAT BALDOR'S PRODUCT WILL PERFORM SUITABLY IN THE INTENDED APPLICATION.

REV. DESC: ADD CONNECTION LABEL		
REV. LTR: E	VERSION: 05	TDR: 000000723261
FILE: \CKA\00017\115		REVISED: 10:48:27 11/29/2011
MTL: -		BY: CKAPRBO

**BALDOR • DODGE • RELIANCE**

LY,24DC PSSH DOM TENV .50X1.56 EXT W/FLAT LONG

SH 2 of 2

CD1899



(1) COLOR MAY BE  
RED  
WHT  
BLU

(2) COLOR MAY BE  
BLK  
BRN

(3) COLOR WHEN REQ.  
GRN  
GRN/YEL

VIEWED FROM  
DRIVE END

REV. DESC: NEW			
REV. LTR: -	BY: PAW	REVISED: 09:06:34 09/16/2004	TDR: 341564
668100		FILE: CKA00025830	REF: CD1899
		MTL: -	

**BALDOR ELECTRIC Co.**

PM,2LD,REV,TANG,CK

CD1899