

BALDOR® • RELIANCE

Product Information Packet

ELECTRIC MOTOR WHOLESAL.COM

GPP12543

.13HP,DC,PSM-0,2416P,TENV,F1

Part Detail							
Revision:	S	Status:	PRD/A	Change #:		Proprietary:	No
Type:	DC	Prod. Type:		Elec. Spec:	24WGZ026	CD Diagram:	
Enclosure:	TENV	Mfg Plant:		Mech. Spec:		Layout:	
Frame:	PSM	Mounting:		Poles:	///	Created Date:	
Base:		Rotation:		Insulation:	F	Eff. Date:	04-26-2012
Field Type:		Literature:		Elec. Diagram:		Replaced By:	

Nameplate NP1220A08

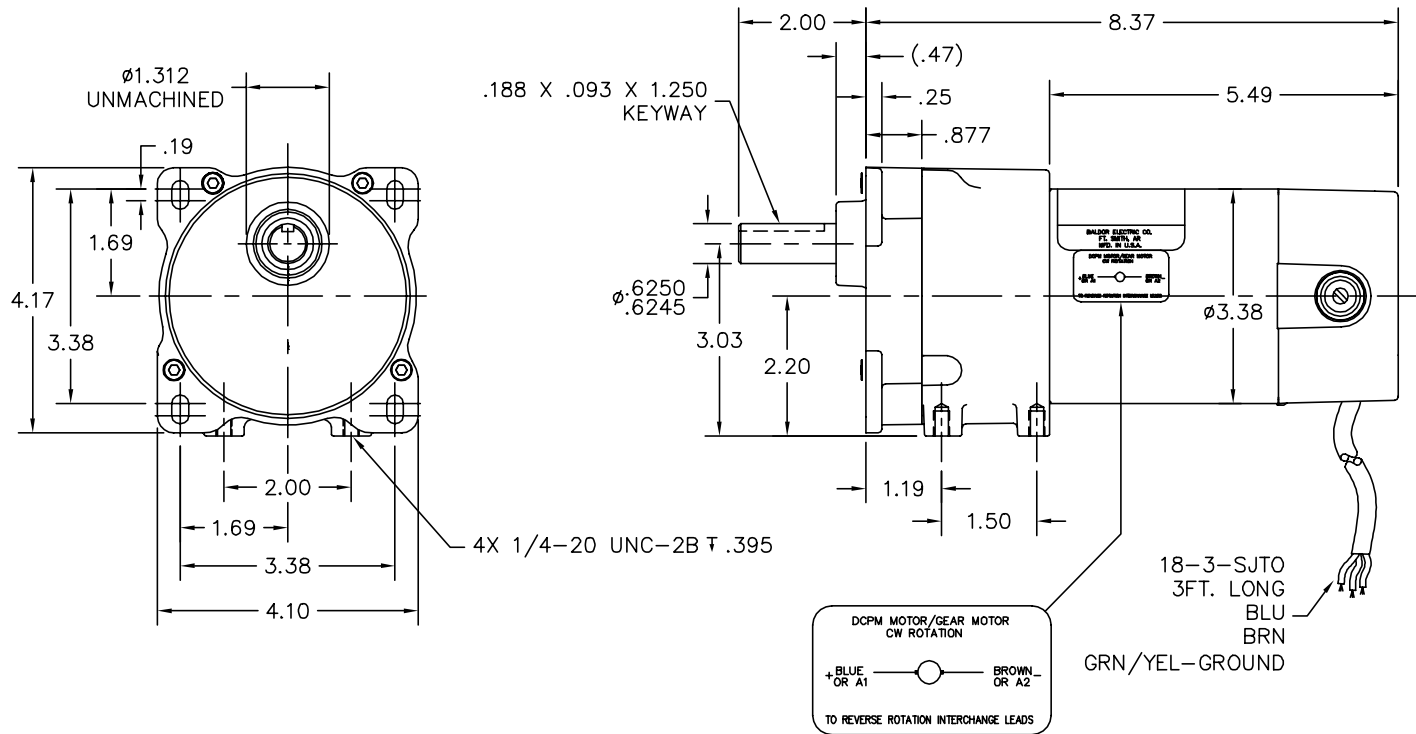
CAT.NO.	GPP12543						
SER.NO							
SPEC.	24A099Z026G4						
FRAME	PSM				TYPE		2416P
HP	.13	TE					
VOLTS	90DC						
AMP	1.35						
F.F.	1.56				CLASS		F
AMB.	40				DUTY		CONT
BRUSHES	2/BP5052BP01						
R.P.M.	125						
TORQ/IN LB	58						
RATIO	20:1						
APRV-CE					APRV-CUL		

Parts List		
Part Number	Description	Quantity
SA099697	SA 24A099Z026G4	1.000 EA
AA009152	AA 24A099Z026G4	1.000 EA
LC0899A07	CONNECTION LABEL, DCPM CW ROTATION CE CO	1.000 EA
BP5052BP01SP	BRUSH, GRADE R884 NATIONAL CARBON (FOR 1	1.000 EA
HG0060A01CL	HSG,PSM EP 24DC 2 STAGE	1.000 EA
BMH1716	WASHER,PREC 1.175"X.751"X.02"	1.000 EA
HW5002A45	RETAINING RING,WALDES TRUARC N5002-118	1.000 EA
HW4600D28	SEAL,10X20X4MM TCM #03907815PSCW	1.000 EA
HA4021A05	1/16 NPSF-HX SOC PIPE PLUG TAPER DRY SEA	1.000 EA
HW3064E05	1/8 X 1/2 PIN DRIVE LOK TYPE H	1.000 EA
24SH4002C04	SH,ARM PSM 24 15-16	1.000 EA
NP1220A08	NP,DC STD AD NONE V GEAR MOTOR CE CUL	1.000 EA
24EP3102A01L	EP,24DC 0DE CL 0.63P4	1.000 EA
HW5109A13	WASHER, WAVE SPRING FOR 26MM BORE SMALLE	1.000 EA
BP4529SP	BRUSH TUBE HOLDER:BBR1097	1.000 EA
80XN1032A04	10-32 X 1/4 SET SCREW	2.000 EA
BP4530SP	BRUSH TUBE CAP AE-57	1.000 EA
WD4102A01	STRN RELIEF HEYCO #1214/M.P. 23MPO6L10	1.000 EA
BCB1111-115	CABLE ASS'Y, 18-3-SJTO 24F	1.000 EA
55XT0632G03	6-32 X 0.187 RD HD PHILLIPS, SERRATED	1.000 EA
HA3100A32	THRUBOLT 10-32 X 5.500	2.000 EA
SG0052A17	SHAFT,ASSY PSM LONG INT1 2RED 4.0/5.0	1.000 EA
SG0052A18	SHAFT,ASSY PSM LONG OUTP 2RED 0.0/4.0	1.000 EA
BCG5495-001CL	CAP,PSM STD	1.000 EA

Parts List (continued)		
Part Number	Description	Quantity
RM1020A24	O-RING,3.690 I.D. X .073 BUNA BGA4882	1.000 EA
HW4600D90	SEAL 0.625 X 1.000 X 0.250 SINGLE LIP	1.000 EA
BH1103	SCE1010 NEEDLE, SCE1010 .625X.812X.625	1.000 EA
84XN1032J16	SCREW, SOC HD CAP 10-32 X 1"	4.000 EA
MJ1000B02	KLUB. GH6-460 GEAR OIL 1 LITER	0.030 GA
HW2501D10	KEY, 3/16 SQ X 1.000	1.000 EA
LB5040	INSTRUCTION TAG, AC & DC	1.000 EA
CPA1000	PACKING GROUP STD. SINGLE	1.000 EA
LB1171	LABEL CARTON 6X6 ON LINE BLANK ROLLS	1.000 EA
MG2000A14	RUST VETO 342 RUST INHIBITOR	0.001 GA
ME4000	.375-.75" DIA.#SW-04 WOVEN SHAFT PROTECT	0.080 FT

Accessories		
Part Number	Description	Multiplier
B92	BASE-HORIZONTAL FOOT MOUNT PSM	A8
B93	BASE-FACE MOUNT 3 POINT PSM	A8
BC115	FRAC DC ANALOG,115AC,50/60HZ,1.5A,1	E9
BC138	KBWM-120 120VAC .25-HP SCR CTL, N	E9
BC140	CS2934A,120/240VAC .5/1-HP SCR CTL,NEMA	E9
BC140-FBR	W/FOR BRAKE REV SWITCH	E9
BR0100	PLUG IN RESISTOR	E9

24A099Z026G4



CUSTOMER IS RESPONSIBLE FOR DETERMINING THAT MOTOR PERFORMANCE IS SUITABLE IN THE APPLICATION.

REV. DESC: REMOVE TAGS FROM LAYOUT FOR CABLE

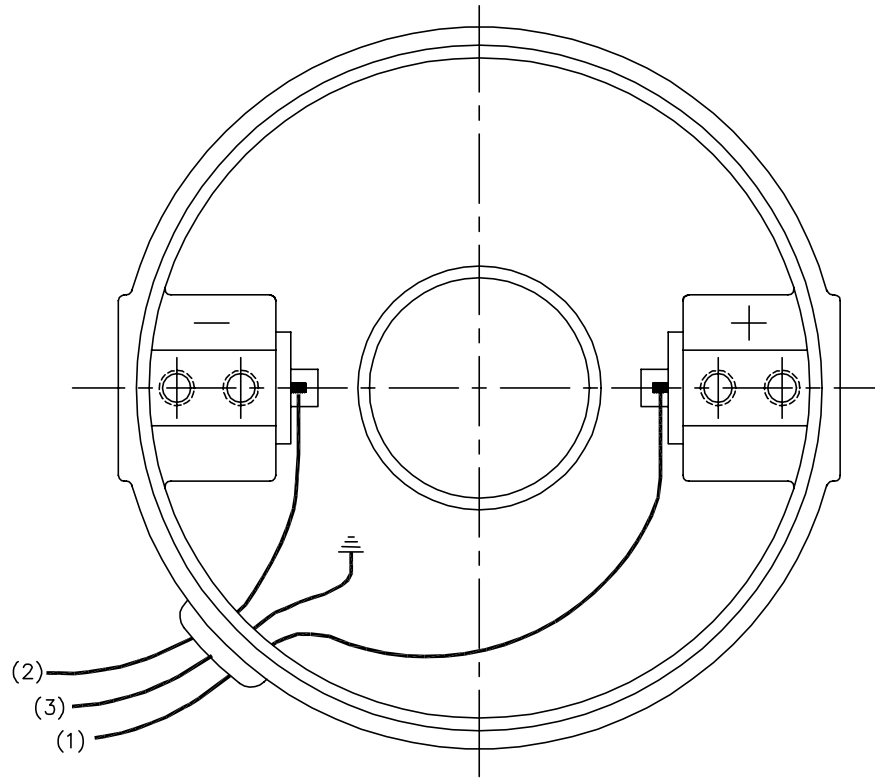
REV. LTR: D	VERSION: 04	TDR: 000000395783
24A099Z026G4	FILE: \CKA\00021\619	REVISED: 14:03:57 05/05/2006
	MTL: -	BY: CKMICRO

BALDOR ELECTRIC Co.

LY,24DC PSM DOM TENV

24A099Z026G4

CD1899



(1) COLOR MAY BE
RED
WHT
BLU

(2) COLOR MAY BE
BLK
BRN

(3) COLOR WHEN REQ.
GRN
GRN/YEL

VIEWED FROM
DRIVE END

REV. DESC: NEW			
REV. LTR: -	BY: PAW	REVISED: 09:06:34 09/16/2004	TDR: 341564
668100		FILE: CKA00025830	REF: CD1899
		MTL: -	

BALDOR ELECTRIC Co.

PM,2LD,REV,TANG,CK

CD1899