

BALDOR® • RELIANCE

Product Information Packet

ELECTRIC MOTOR WHOLESAL.COM

GPP12556

G.M. J16MA 90VDC 30 RPM 80:1

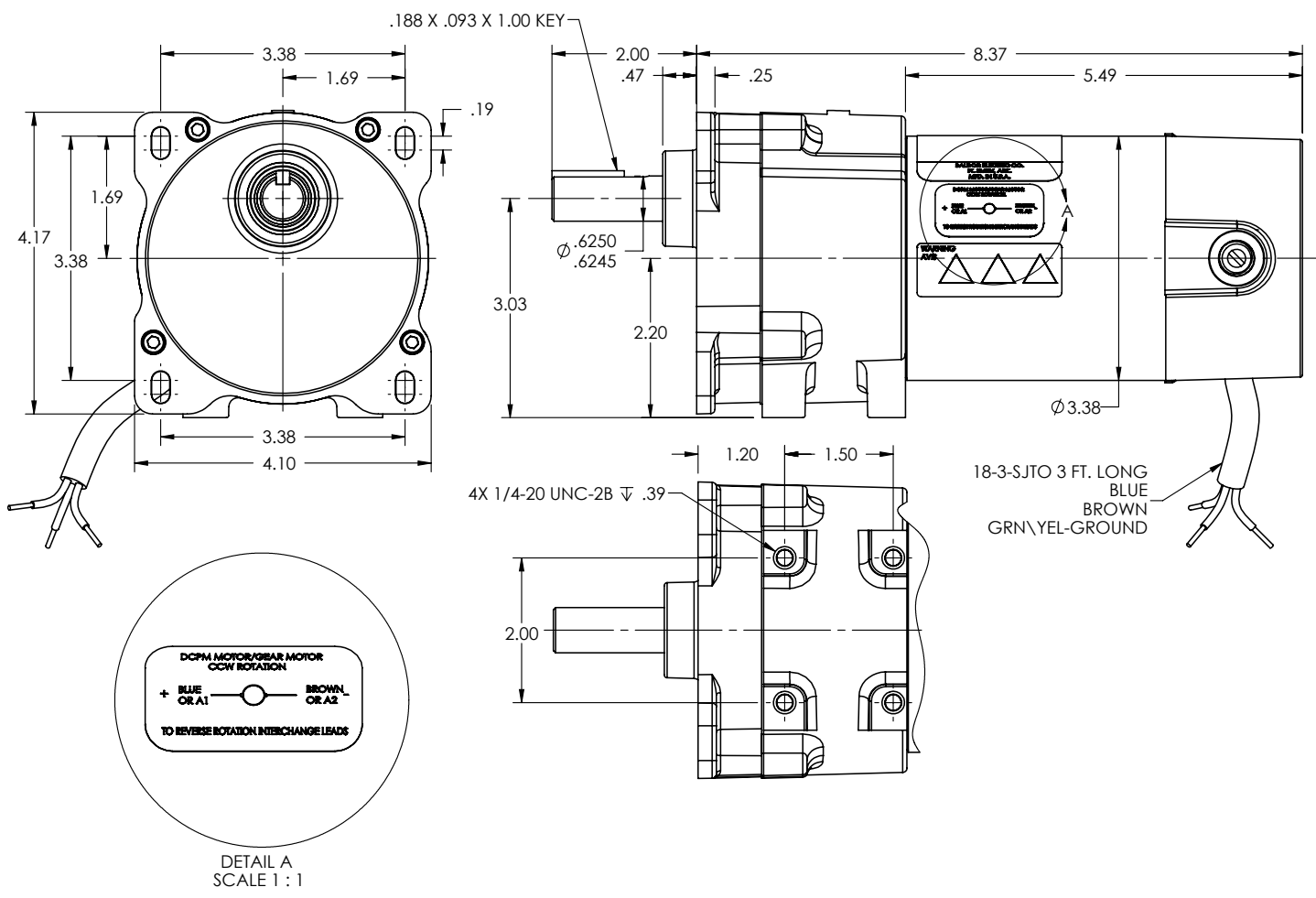
Part Detail							
Revision:	B	Status:	PRD/A	Change #:		Proprietary:	No
Type:	DC	Prod. Type:		Elec. Spec:	24WGZ026	CD Diagram:	
Enclosure:	TENV	Mfg Plant:		Mech. Spec:		Layout:	
Frame:	PSM	Mounting:		Poles:	///	Created Date:	03-18-2011
Base:		Rotation:		Insulation:	F	Eff. Date:	04-26-2012
Field Type:		Literature:		Elec. Diagram:		Replaced By:	

Nameplate NP1220A10			
CAT.NO.	GPP12556		
SER.NO			
SPEC.	24A099Z026G13		
FRAME	PSM	TYPE	2416P
HP	.125	TE	
VOLTS	90		
AMP	1.28		
F.F.	1.56	CLASS	F
AMB.	40	DUTY	CONT
BRUSHES	2/BP5052BP01		
R.P.M.	30		
TORQ/IN LB	174		
RATIO	80:1		
APRV-CUL			

Parts List		
Part Number	Description	Quantity
SA219812	SA 24A099Z026G13	1.000 EA
AA014579	AA 24A099Z026G13	1.000 EA
LC0899A08	CONNECTION LABEL, DCPM CCW ROTATION CE C	1.000 EA
BP5052BP01SP	BRUSH, GRADE R884 NATIONAL CARBON (FOR 1	1.000 EA
HG0060A01BL	HSG,PSM EP 24DC 3 STAGE	1.000 EA
BMH1716	WASHER,PREC 1.175"X.751"X.02"	1.000 EA
HW5002A45	RETAINING RING,WALDES TRUARC N5002-118	1.000 EA
HW4600D28	SEAL,10X20X4MM TCM #03907815PSCW	1.000 EA
HA4021A05	1/16 NPSF-HX SOC PIPE PLUG TAPER DRY SEA	1.000 EA
HW3064E05	1/8 X 1/2 PIN DRIVE LOK TYPE H	1.000 EA
24SH4002C04	SH,ARM PSM 24 15-16	1.000 EA
NP1220A10	NP,DC STD AD NONE V GEAR MOTOR CUL	1.000 EA
24EP3102A01L	EP,24DC 0DE CL 0.63P4	1.000 EA
HW5109A13	WASHER, WAVE SPRING FOR 26MM BORE SMALLE	1.000 EA
BP4529SP	BRUSH TUBE HOLDER:BBR1097	1.000 EA
80XN1032A04	10-32 X 1/4 SET SCREW	2.000 EA
BP4530SP	BRUSH TUBE CAP AE-57	1.000 EA
WD4102A01	STRN RELIEF HEYCO #1214/M.P. 23MPO6L10	1.000 EA
BCB1111-115	CABLE ASS'Y, 18-3-SJTO 24F	1.000 EA
55XT0632G03	6-32 X 0.187 RD HD PHILLIPS, SERRATED	1.000 EA
HA3100A32	THRUBOLT 10-32 X 5.500	2.000 EA
SG0052A14	SHAFT,ASSY PSM LONG INT1 3RED 4.0/5.0	1.000 EA
SG0052A50	SHAFT,ASSY PSM LONG INT2 3RED 4.0/4.0	1.000 EA
SG0052A46	SHAFT,ASSY PSM LONG OUTP 3RED 0.0/4.0	1.000 EA

Parts List (continued)		
Part Number	Description	Quantity
BCG5495-001BL	CAP,PSM STD	1.000 EA
RM1020A24	O-RING,3.690 I.D. X .073 BUNA BGA4882	1.000 EA
HW4600D90	SEAL 0.625 X 1.000 X 0.250 SINGLE LIP	1.000 EA
BH1103	SCE1010 NEEDLE, SCE1010 .625X.812X.625	1.000 EA
84XN1032J16	SCREW, SOC HD CAP 10-32 X 1"	4.000 EA
MJ1000B02	KLUB. GH6-460 GEAR OIL 1 LITER	0.030 GA
HW2501D10	KEY, 3/16 SQ X 1.000	1.000 EA
LB5040	INSTRUCTION TAG, AC & DC	1.000 EA
LB1451	WARNING LABEL, CE WARNING SYMBOLS ONLY	1.000 EA
CPA1000	PACKING GROUP STD. SINGLE	1.000 EA
LB1171	LABEL CARTON 6X6 ON LINE BLANK ROLLS	1.000 EA
MG2000A14	RUST VETO 342 RUST INHIBITOR	0.001 GA
ME4000	.375-.75" DIA.#SW-04 WOVEN SHAFT PROTECT	0.080 FT

24A099Z026G13



DETAIL A
SCALE 1 : 1

CUSTOMER IS RESPONSIBLE FOR DETERMINING THAT MOTOR PERFORMANCE IS SUITABLE IN APPLICATION.

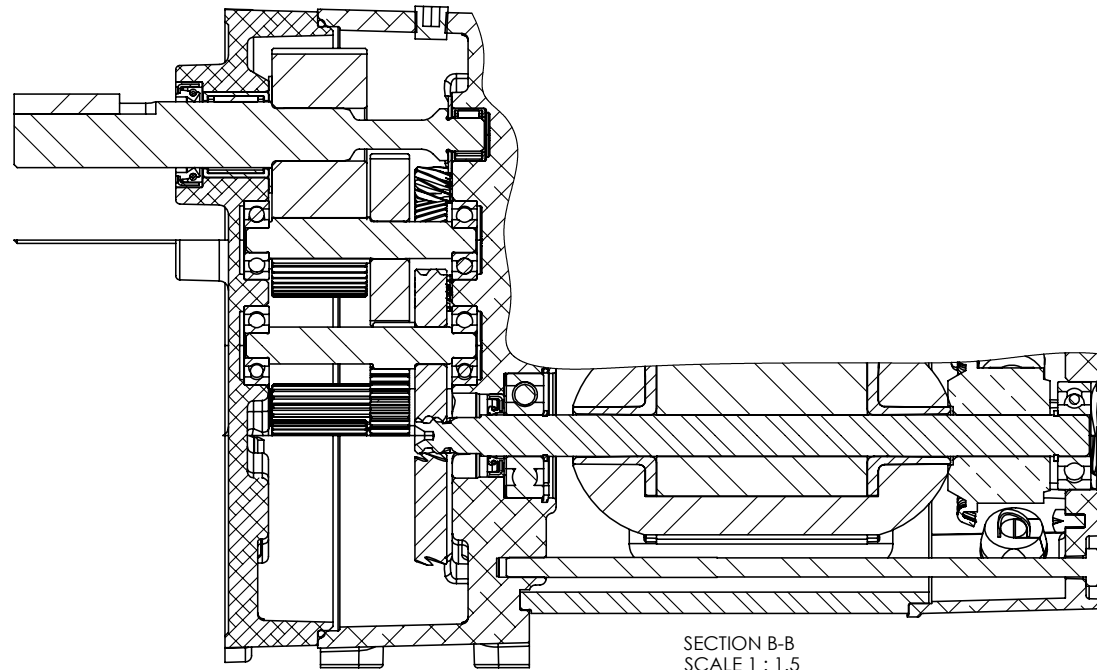
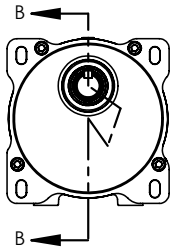
REV. DESC: NEW			
REV: -	VERSION: 00	REVISED: 05:05:25 03/18/2011	TDR: 000000538692
24A099Z026G13	MODEL NO. 24A099Z026G13	REF:	
	BY: CKBRIS0		

BALDOR ELECTRIC Co.

LY,24DC PSM DOM TENV 90VDC 80:1 42 RPM 2.000 X 0.625 EXT

24A099Z026G13

24A099Z026G13



SECTION B-B
SCALE 1 : 1.5

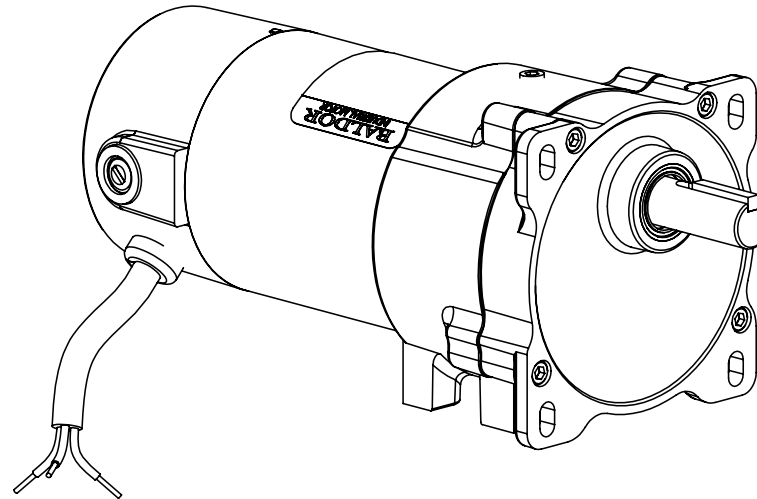
24A099Z026G13

REV. DESC: NEW			
REV: -	VERSION: 00	REVISED: 05:05:25 03/18/2011	TDR: 000000538692
24A099Z026G13		MODEL NO. 24A099Z026G13	REF:
		BY: CKBRIS0	

BALDOR ELECTRIC Co.

LY,24DC PSM DOM TENV 90VDC 80:1 42 RPM 2.000 X 0.625 EXT

ITEM NO.	PART NUMBER	QTY.
1	HG0060A01	1
2	SKF - 6200 - 8,DE,NC,8 .68	1
3	BMH1716	1
4	HW5002A45	1
5	HW4600D28	1
6	HA4021A05	1
7	BH1163A01	1
8	HW3064E05	1
9	24SH4002C04	1
10	HW5060A23	2
11	SKF - 6000 - 8,DE,NC,8 .68	1
12	24AA2016A01 10mm	1
	2.000 Stack with End Ins	1
	NS4024A02	2
	CM1098	1
13	24SB3100C14	1
14	PM1049A05	2
15	24EP3102A01	1
16	80XN1032A04	2
17	55XT0632G03	1
18	HW5109A13	1
19	BP4529	2
20	bp5052-01 compressed	2
21	BP4530	2
22	WD4102A01	1
23	HA3100A32	2
24	SG0052A14	1
	GE0090B29	1
	GE0085B08	1
	SKF - 626 - 8,DE,NC,8 .68	2
25	SG0052A50	1
	GE0090B37	1
	GE0090B20	1
	SKF - 626 - 8,DE,NC,8 .68	2
26	SG0052A46	1
	SH0093B02	1
	GE0090B12	1
	BH1108A05	1
	BH1108A01	1
27	BCG5495-001	1
28	BH1103	1
29	RM1020A24	1
30	HW4600D90	1
31	84XN1032J16	4
32	HW2501D10	1
33	NP1220A	1
34	3LEADCARD	1
35	LB1451	1
36	23DC LC0899A08	1



24A099Z026G13

24A099Z026G13

REV. DESC: NEW

REV: - VERSION: 00 REVISED: 05:05:25 03/18/2011 TDR: 000000538692

24A099Z026G13

MODEL NO. 24A099Z026G13

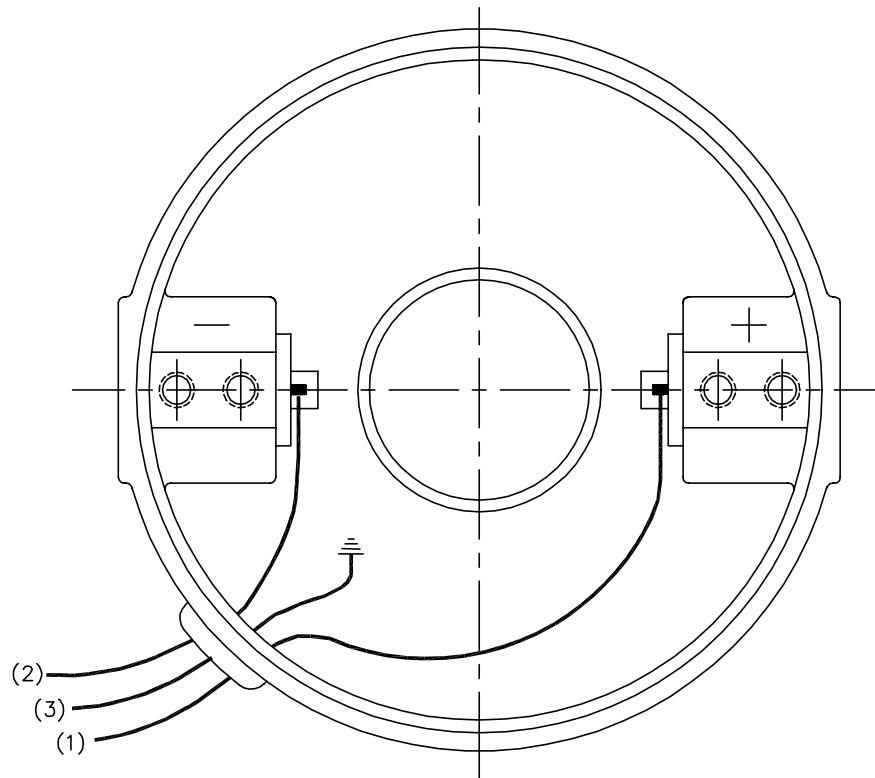
BY: CKBRIS0

REF:

BALDOR ELECTRIC Co.

LY,24DC PSM DOM TENV 90VDC 80:1 42 RPM 2.000 X 0.625 EXT

CD1899



(1) COLOR MAY BE
RED
WHT
BLU

(2) COLOR MAY BE
BLK
BRN

(3) COLOR WHEN REQ.
GRN
GRN/YEL

VIEWS FROM
DRIVE END

REV. DESC: NEW			
REV. LTR: -	BY: PAW	REVISED: 09:06:34 09/16/2004	TDR: 341564
668100		FILE: CKA00025830	REF: CD1899
		MTL: -	

BALDOR ELECTRIC Co.

PM,2LD,REV,TANG,CK

CD1899