

# **BALDOR® • RELIANCE**

**Product Information Packet**

**ELECTRIC MOTOR WHOLESAL.COM**

**GPP12559**

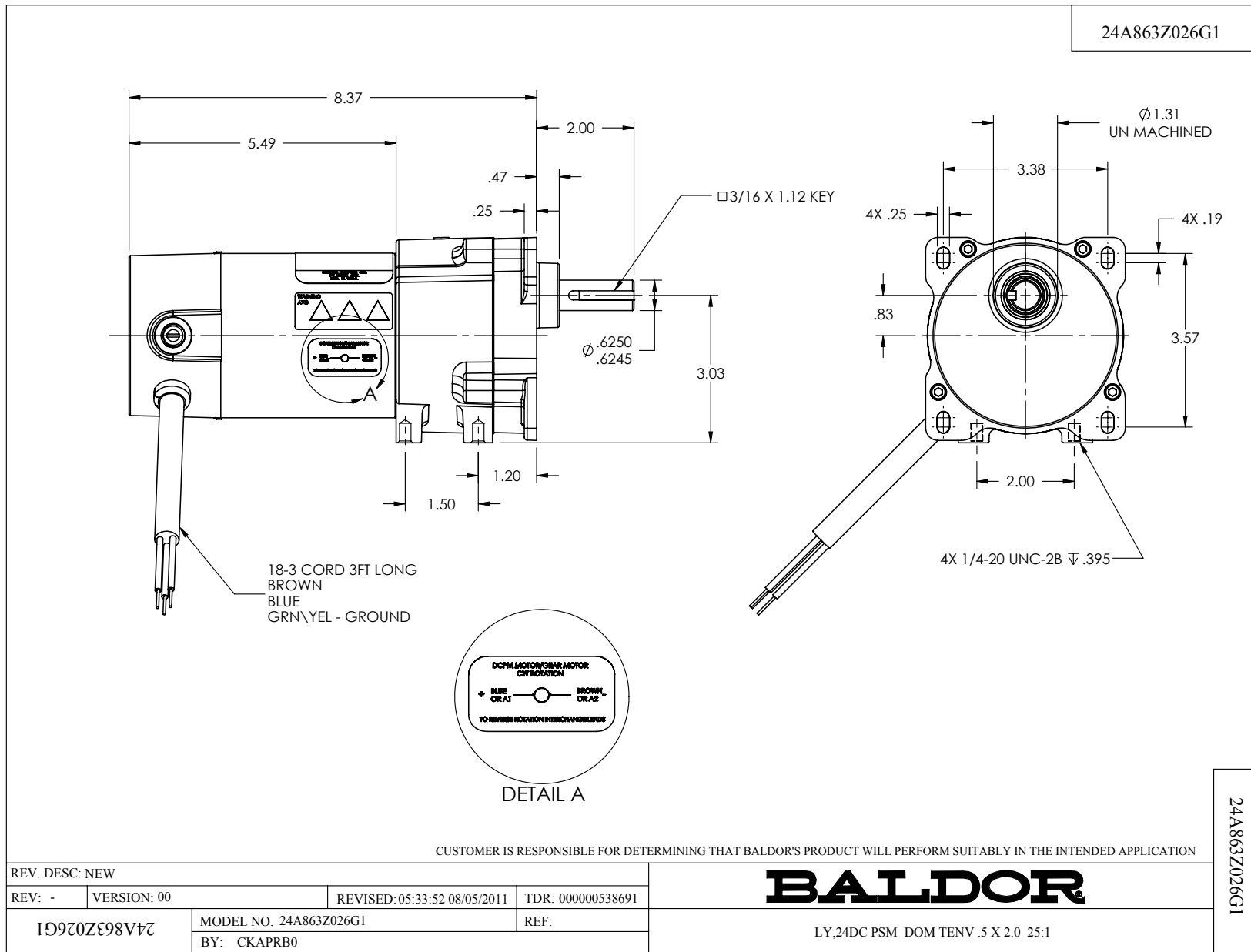
**G.M. J16MA 90VDC 94 RPM 25:1**

Part Detail							
Revision:	A	Status:	PRD/A	Change #:		Proprietary:	No
Type:	DC	Prod. Type:		Elec. Spec:	24WGZ026	CD Diagram:	
Enclosure:	TENV	Mfg Plant:		Mech. Spec:		Layout:	
Frame:	PSM	Mounting:		Poles:	///	Created Date:	07-29-2011
Base:		Rotation:		Insulation:	F	Eff. Date:	04-11-2012
Field Type:		Literature:		Elec. Diagram:		Replaced By:	

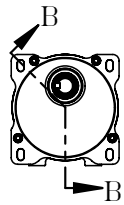
Nameplate NP1220A08			
CAT.NO.	GPP12559		
SER.NO			
SPEC.	24A863Z026G1		
FRAME	PSM	TYPE	2416P
HP	.125	TE	
VOLTS	90		
AMP	1.28		
F.F.	1.56	CLASS	F
AMB.	40	DUTY	CONT
BRUSHES	2/BP5052BP01		
R.P.M.	94		
TORQ/IN LB	76		
RATIO	25:1		
APRV-CE		APRV-CUL	

Parts List		
Part Number	Description	Quantity
SA228056	SA 24A863Z026G1	1.000 EA
AA014690	AA 24A863Z026G1	1.000 EA
LC0899A07	CONNECTION LABEL, DCPM CW ROTATION CE CO	1.000 EA
BP5052BP01SP	BRUSH, GRADE R884 NATIONAL CARBON (FOR 1	1.000 EA
HG0060A01CL	HSG,PSM EP 24DC 2 STAGE	1.000 EA
BMH1716	WASHER,PREC 1.175"X.751"X.02"	1.000 EA
HW5002A45	RETAINING RING,WALDES TRUARC N5002-118	1.000 EA
HW4600D28	SEAL,10X20X4MM TCM #03907815PSCW	1.000 EA
HA4021A05	1/16 NPSF-HX SOC PIPE PLUG TAPER DRY SEA	1.000 EA
HW3064E05	1/8 X 1/2 PIN DRIVE LOK TYPE H	1.000 EA
24SH4002C04	SH,ARM PSM 24 15-16	1.000 EA
24EP3102A01L	EP,24DC 0DE CL 0.63P4	1.000 EA
HW5109A13	WASHER, WAVE SPRING FOR 26MM BORE SMALLE	1.000 EA
BP4529SP	BRUSH TUBE HOLDER:BBR1097	1.000 EA
80XN1032A04	10-32 X 1/4 SET SCREW	2.000 EA
BP4530SP	BRUSH TUBE CAP AE-57	1.000 EA
WD4102A01	STRN RELIEF HEYCO #1214/M.P. 23MPO6L10	1.000 EA
BCB1111-115	CABLE ASS'Y, 18-3-SJTO 24F	1.000 EA
55XT0632G03	6-32 X 0.187 RD HD PHILLIPS, SERRATED	1.000 EA
HA3100A32	THRUBOLT 10-32 X 5.500	2.000 EA
SG0052A24	SHAFT,ASSY PSM LONG INT1 2RED 5.0/5.0	1.000 EA
SG0052A23	SHAFT,ASSY PSM LONG OUTP 2RED 0.0/5.0	1.000 EA
BCG5495-001CL	CAP,PSM STD	1.000 EA
RM1020A24	O-RING,3.690 I.D. X .073 BUNA BGA4882	1.000 EA

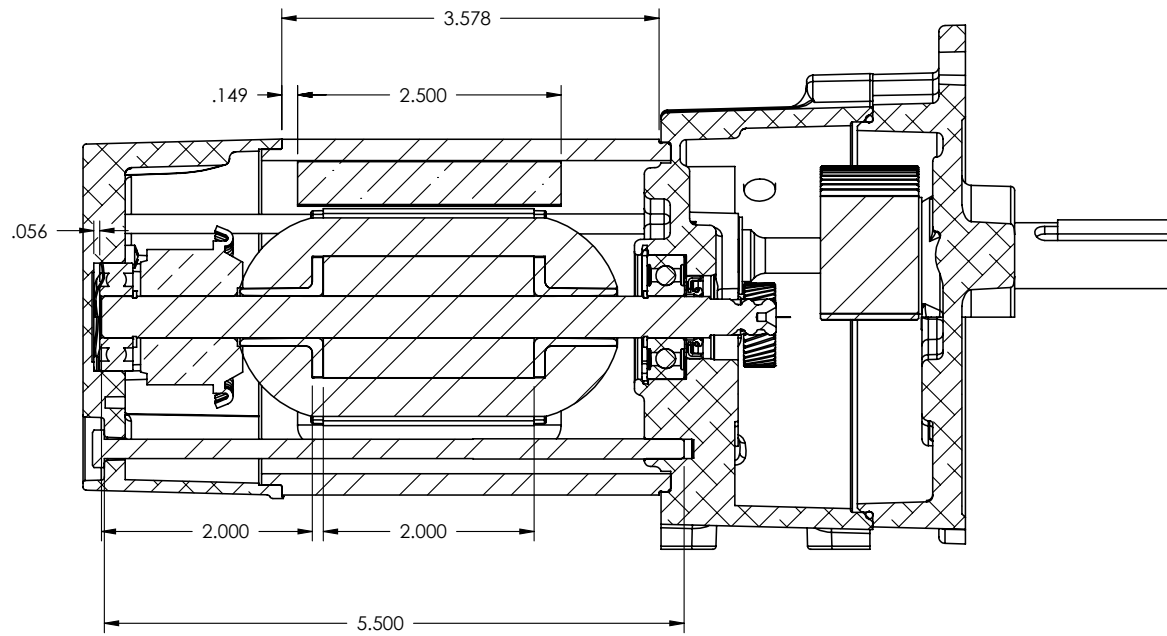
Parts List (continued)		
Part Number	Description	Quantity
HW4600D90	SEAL 0.625 X 1.000 X 0.250 SINGLE LIP	1.000 EA
BH1103	SCE1010 NEEDLE, SCE1010 .625X.812X.625	1.000 EA
84XN1032J16	SCREW, SOC HD CAP 10-32 X 1"	4.000 EA
BMH1910	KEY 3/16X3/16X1 1/8 AUTO X	1.000 EA
ME4000	.375-.75" DIA.#SW-04 WOVEN SHAFT PROTECT	0.167 FT
MJ1000B02	KLUB. GH6-460 GEAR OIL 1 LITER	0.030 GA
NP1220A08	NP,DC STD AD NONE V GEAR MOTOR CE CUL	1.000 EA
LB5040	INSTRUCTION TAG, AC & DC	1.000 EA
LB1451	WARNING LABEL, CE WARNING SYMBOLS ONLY	1.000 EA
CPA1000	PACKING GROUP STD. SINGLE	1.000 EA
LB1171	LABEL CARTON 6X6 ON LINE BLANK ROLLS	1.000 EA
MG2000A14	RUST VETO 342 RUST INHIBITOR	0.001 GA



CUSTOMER IS RESPONSIBLE FOR DETERMINING THAT BALDOR'S PRODUCT WILL PERFORM SUITABLY IN THE INTENDED APPLICATION



24A863Z026G1



SECTION B-B

CUSTOMER IS RESPONSIBLE FOR DETERMINING THAT BALDOR'S PRODUCT WILL PERFORM SUITABLY IN THE INTENDED APPLICATION

REV. DESC: NEW			
REV: -	VERSION: 00	REVISED: 05:33:52 08/05/2011	TDR: 000000538691
24A863Z026G1	MODEL NO. 24A863Z026G1		REF:
	BY: CKAPRB0		

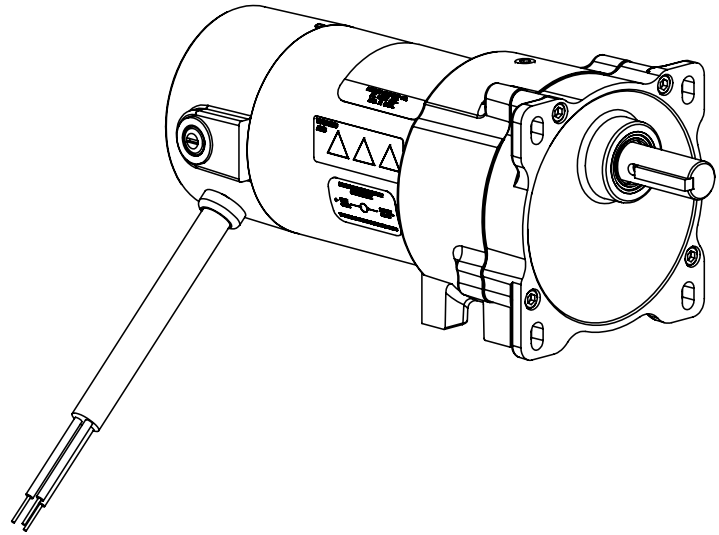
**BALDOR**

LY,24DC PSM DOM TENV .5 X 2.0 25:1

24A863Z026G1

ITEM NO.	PART NUMBER	QTY.
1	HG0060A01	1
2	BMH1716	1
3	BG6200C	1
4	HW5002A45	1
5	HW4600D28	1
6	HA4021A05	1
7	BH1163A01	1
8	HW3064E05	1
9	24SH4002C04	1
10	24AA2016A01 10mm	1
11	SKF - 6000 - 8,DE,NC,8_68	1
12	HW5060A23	2
13	24SB3100C14	1
14	PM1049A05	2
15	24EP3102A01	1
16	HW5109A13	1
17	BP4529	2
18	80XN1032A04	2
19	bp5052-01 compressed	2
20	BP4530	2
21	WD4102A01	1
22	LD0110A	1
23	55XT0632G03	1
24	HA3100A32	2
25	SG0052A24	1
26	SG0052A23	1
27	BCG5495-001	1
28	RM1020A24	1
29	HW4600D90	1
30	BH1103	1
31	84XN1032J16	4
32	BMH1910	1
33	NP1220 24DC DOM	1
34	24DC_LC0899A07	1
35	LB1451	1

24A863Z026G1



24A863Z026G1

CUSTOMER IS RESPONSIBLE FOR DETERMINING THAT BALDOR'S PRODUCT WILL PERFORM SUITABLY IN THE INTENDED APPLICATION

REV. DESC: NEW			
REV: -	VERSION: 00	REVISED: 05:33:52 08/05/2011	TDR: 000000538691
24A863Z026G1		MODEL NO. 24A863Z026G1	REF:
		BY: CKAPRB0	

**BALDOR**

LY,24DC PSM DOM TENV .5 X 2.0 25:1

CD1899



(1) COLOR MAY BE  
RED  
WHT  
BLU

(2) COLOR MAY BE  
BLK  
BRN

(3) COLOR WHEN REQ.  
GRN  
GRN/YEL

VIEWED FROM  
DRIVE END

REV. DESC: NEW			
REV. LTR: -	BY: PAW	REVISED: 09:06:34 09/16/2004	TDR: 341564
668100		FILE: CKA00025830	REF: CD1899
		MTL: -	

**BALDOR ELECTRIC Co.**

PM,2LD,REV,TANG,CK

CD1899