

BALDOR® • RELIANCE

Product Information Packet

ELECTRIC MOTOR WHOLESAL.COM

GPP12560

G.M. J16MA 180VDC 500 RPM 5:1 CAT# GPP12

Part Detail							
Revision:	T	Status:	PRD/A	Change #:		Proprietary:	No
Type:	DC	Prod. Type:		Elec. Spec:	24WGZ063	CD Diagram:	
Enclosure:	TENV	Mfg Plant:		Mech. Spec:		Layout:	
Frame:	PSM	Mounting:		Poles:	///	Created Date:	
Base:		Rotation:		Insulation:	F	Eff. Date:	04-11-2012
Field Type:		Literature:		Elec. Diagram:		Replaced By:	

Nameplate NP1220A39

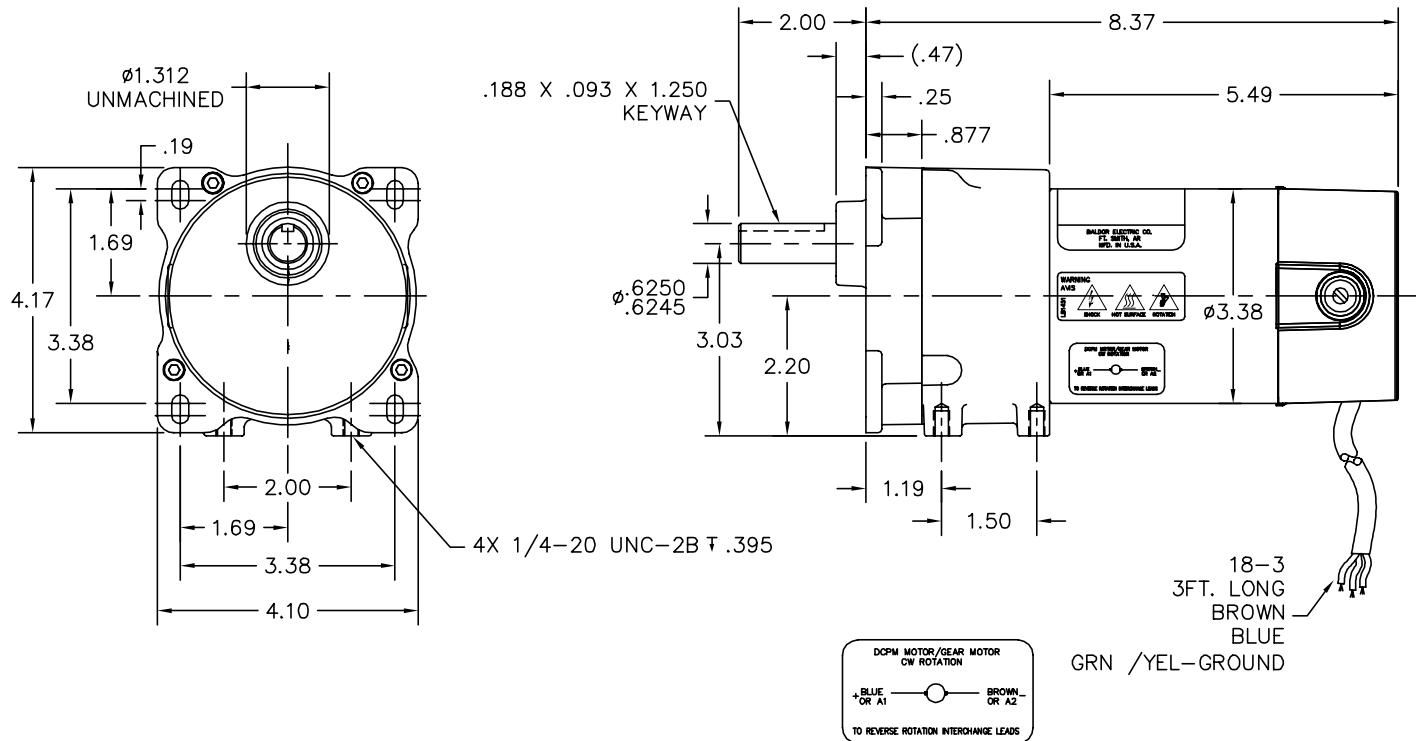
CAT.NO.	GPP12560						
SER.NO							
SPEC.	24A099Z063G2						
FRAME	PSM	TYPE				2416P	
HP	1/8 TE	KW				.093 TE	
VOLTS	180DC						
AMP	.74						
F.F.	1.5	CLASS				F	
AMB.	40	DUTY				CONT	
BRUSHES	2/BP5052BP01						
R.P.M.	500						
TORQ/IN LB	15	N.M.				1.7	
RATIO	5:1						
APRV-CE					APRV-CUL		

Parts List		
Part Number	Description	Quantity
SA108195	SA 24A099Z063G2	1.000 EA
AA009793	AA 24A099Z063G2	1.000 EA
BP5052BP01SP	BRUSH, GRADE R884 NATIONAL CARBON (FOR 1	1.000 EA
HG0060A01CL	HSG,PSM EP 24DC 2 STAGE	1.000 EA
BMH1716	WASHER,PREC 1.175"X.751"X.02"	1.000 EA
HW5002A45	RETAINING RING,WALDES TRUARC N5002-118	1.000 EA
HW4600D28	SEAL,10X20X4MM TCM #03907815PSCW	1.000 EA
HA4021A05	1/16 NPSF-HX SOC PIPE PLUG TAPER DRY SEA	1.000 EA
HW3064E05	1/8 X 1/2 PIN DRIVE LOK TYPE H	1.000 EA
24SH4002C04	SH,ARM PSM 24 15-16	1.000 EA
NP1220A39	NP,DC STD AD NONE V GEAR MOTOR CE CUL KW	1.000 EA
LC0899A07	CONNECTION LABEL, DCPM CW ROTATION CE CO	1.000 EA
LB1451	WARNING LABEL, CE WARNING SYMBOLS ONLY	1.000 EA
24EP3102A01L	EP,24DC 0DE CL 0.63P4	1.000 EA
HW5109A13	WASHER, WAVE SPRING FOR 26MM BORE SMALLE	1.000 EA
BP4529SP	BRUSH TUBE HOLDER:BBR1097	1.000 EA
80XN1032A04	10-32 X 1/4 SET SCREW	2.000 EA
BP4530SP	BRUSH TUBE CAP AE-57	1.000 EA
WD4102A01	STRN RELIEF HEYCO #1214/M.P. 23MPO6L10	1.000 EA
BCB1111-115	CABLE ASS'Y, 18-3-SJTO 24F	1.000 EA
55XT0632G03	6-32 X 0.187 RD HD PHILLIPS, SERRATED	1.000 EA
HA3100A32	THRUBOLT 10-32 X 5.500	2.000 EA
SG0052A40	SHAFT,ASSY PSM LONG INT1 2RED 1.0/5.0	1.000 EA
SG0052A41	SHAFT,ASSY PSM LONG OUTP 2RED 0.0/1.0	1.000 EA

Parts List (continued)		
Part Number	Description	Quantity
BCG5495-001CL	CAP,PSM STD	1.000 EA
RM1020A24	O-RING,3.690 I.D. X .073 BUNA BGA4882	1.000 EA
HW4600D90	SEAL 0.625 X 1.000 X 0.250 SINGLE LIP	1.000 EA
BH1103	SCE1010 NEEDLE, SCE1010 .625X.812X.625	1.000 EA
84XN1032J16	SCREW, SOC HD CAP 10-32 X 1"	4.000 EA
MJ1000B02	KLUB. GH6-460 GEAR OIL 1 LITER	0.066 GA
HW2501D10	KEY, 3/16 SQ X 1.000	1.000 EA
ME4000	.375-.75" DIA.#SW-04 WOVEN SHAFT PROTECT	0.127 FT
LB5040	INSTRUCTION TAG, AC & DC	1.000 EA
CPA1000	PACKING GROUP STD. SINGLE	1.000 EA
LB1171	LABEL CARTON 6X6 ON LINE BLANK ROLLS	1.000 EA
MG2000A14	RUST VETO 342 RUST INHIBITOR	0.001 GA

Accessories		
Part Number	Description	Multiplier
B92	BASE-HORIZONTAL FOOT MOUNT PSM	A8
B93	BASE-FACE MOUNT 3 POINT PSM	A8
BC139	.25HP-230V/SCR CNTL,AC,HP RES REQ.	E9
BC140	CS2934A,120/240VAC .5/1-HP SCR CTL,NEMA	E9
BC140-FBR	W/FOR BRAKE REV SWITCH	E9
BR0251	PLUG IN RESISTOR	E9

24A099Z063G2



NOTES:
1) CW ROTATION VIEWING OUTPUT SHAFT END.

CUSTOMER IS RESPONSIBLE FOR DETERMINING THAT BALDOR'S PRODUCT WILL PERFORM SUITABLY IN THE INTENDED APPLICATION.

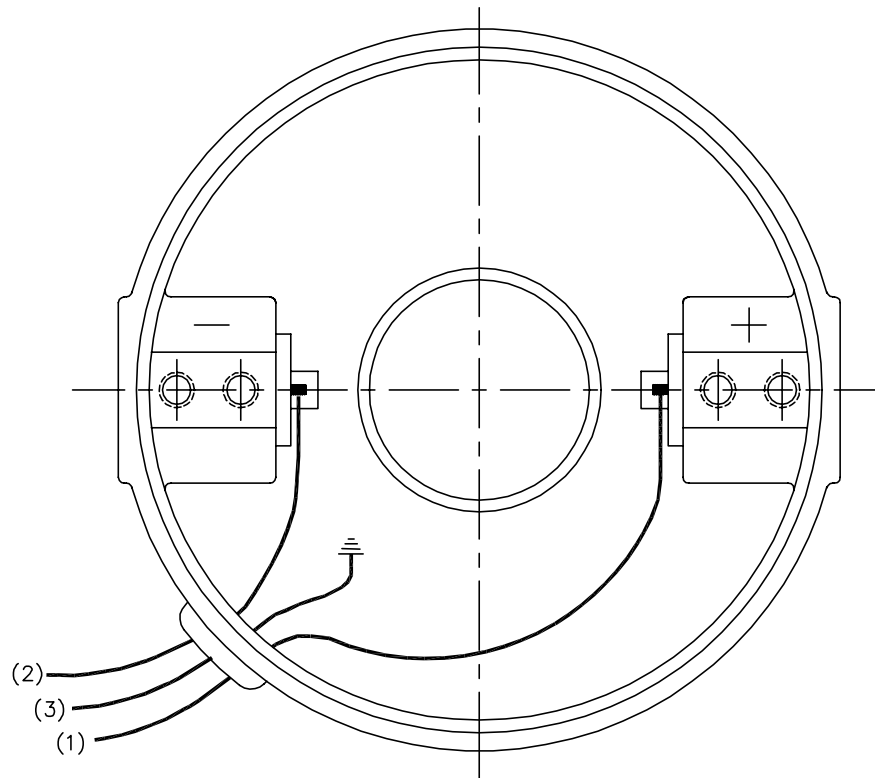
REV. DESC: ADD WARNING LABEL		
REV. LTR: A	VERSION: 01	TDR: 000000738261
FILE: \CKA\00021\609	REVISED: 07:07:55 03/15/2012	
MTL: -	BY: CKAPRBO	

BALDOR • DODGE • RELIANCE

LY,24DC PSM DOM TENV
SH 1 of 1

24A099Z063G2

CD1899



(1) COLOR MAY BE
RED
WHT
BLU

(2) COLOR MAY BE
BLK
BRN

(3) COLOR WHEN REQ.
GRN
GRN/YEL

VIEWED FROM
DRIVE END

REV. DESC: NEW			
REV. LTR: -	BY: PAW	REVISED: 09:06:34 09/16/2004	TDR: 341564
668100		FILE: CKA00025830	REF: CD1899
		MTL: -	

BALDOR ELECTRIC Co.

PM,2LD,REV,TANG,CK

CD1899