

BALDOR® • RELIANCE

Product Information Packet

ELECTRIC MOTOR WHOLESAL.COM

GPP12567

G.M. J16MA 180VDC 42 RPM 60:1 CAT#GPP125

Part Detail							
Revision:	T	Status:	PRD/A	Change #:		Proprietary:	No
Type:	DC	Prod. Type:		Elec. Spec:	24WGZ063	CD Diagram:	
Enclosure:	TENV	Mfg Plant:		Mech. Spec:		Layout:	
Frame:	PSM	Mounting:		Poles:	///	Created Date:	
Base:		Rotation:		Insulation:	F	Eff. Date:	04-26-2012
Field Type:		Literature:		Elec. Diagram:		Replaced By:	

Nameplate NP1220A39

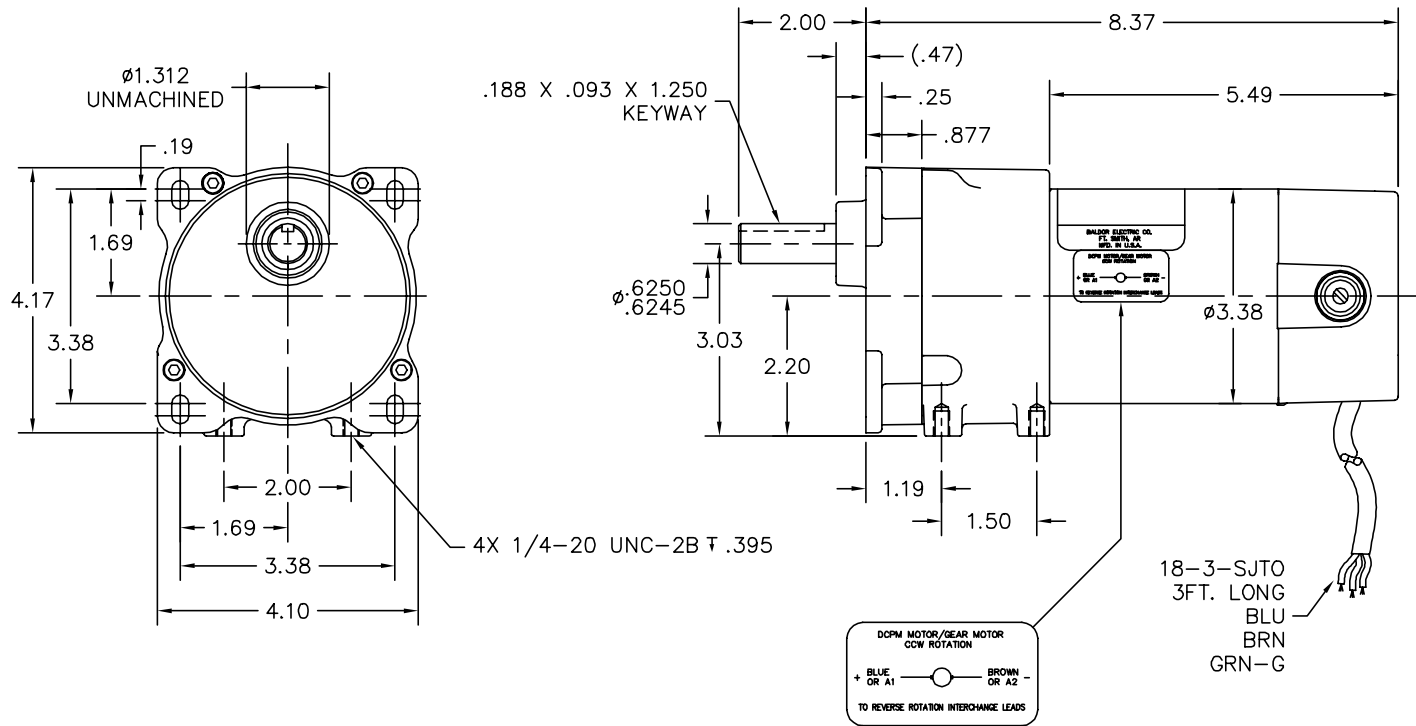
CAT.NO.	GPP12567						
SER.NO							
SPEC.	24A099Z063G5						
FRAME	PSM	TYPE				2416P	
HP	1/8 TE	KW				.093 TE	
VOLTS	180DC						
AMP	.71						
F.F.	1.5	CLASS				F	
AMB.	40	DUTY				CONT	
BRUSHES	2/BP5052BP01						
R.P.M.	42						
TORQ/IN LB	174	N.M.				19.7	
RATIO	60:1						
APRV-CE					APRV-CUL		

Parts List		
Part Number	Description	Quantity
SA115101	SA 24A099Z063G5	1.000 EA
AA010274	AA 24A099Z063G5	1.000 EA
BP5052BP01SP	BRUSH, GRADE R884 NATIONAL CARBON (FOR 1	1.000 EA
HG0060A01BL	HSG,PSM EP 24DC 3 STAGE	1.000 EA
BMH1716	WASHER,PREC 1.175"X.751"X.02"	1.000 EA
HW5002A45	RETAINING RING,WALDES TRUARC N5002-118	1.000 EA
HW4600D28	SEAL,10X20X4MM TCM #03907815PSCW	1.000 EA
HA4021A05	1/16 NPSF-HX SOC PIPE PLUG TAPER DRY SEA	1.000 EA
HW3064E05	1/8 X 1/2 PIN DRIVE LOK TYPE H	1.000 EA
24SH4002C04	SH,ARM PSM 24 15-16	1.000 EA
NP1220A39	NP,DC STD AD NONE V GEAR MOTOR CE CUL KW	1.000 EA
LC0899A08	CONNECTION LABEL, DCPM CCW ROTATION CE C	1.000 EA
24EP3102A01L	EP,24DC 0DE CL 0.63P4	1.000 EA
HW5109A13	WASHER, WAVE SPRING FOR 26MM BORE SMALLE	1.000 EA
BP4529SP	BRUSH TUBE HOLDER:BBR1097	1.000 EA
80XN1032A04	10-32 X 1/4 SET SCREW	2.000 EA
BP4530SP	BRUSH TUBE CAP AE-57	1.000 EA
WD4102A01	STRN RELIEF HEYCO #1214/M.P. 23MPO6L10	1.000 EA
BCB1111-115	CABLE ASS'Y, 18-3-SJTO 24F	1.000 EA
55XT0632G03	6-32 X 0.187 RD HD PHILLIPS, SERRATED	1.000 EA
HA3100A32	THRUBOLT 10-32 X 5.500	2.000 EA
SG0052A14	SHAFT,ASSY PSM LONG INT1 3RED 4.0/5.0	1.000 EA
SG0052A15	SHAFT,ASSY PSM LONG INT2 3RED 3.0/4.0	1.000 EA
SG0052A29	SHAFT,ASSY PSM LONG OUTP 3RED 0.0/3.0	1.000 EA

Parts List (continued)		
Part Number	Description	Quantity
BCG5495-001BL	CAP,PSM STD	1.000 EA
RM1020A24	O-RING,3.690 I.D. X .073 BUNA BGA4882	1.000 EA
HW4600D90	SEAL 0.625 X 1.000 X 0.250 SINGLE LIP	1.000 EA
BH1103	SCE1010 NEEDLE, SCE1010 .625X.812X.625	1.000 EA
84XN1032J16	SCREW, SOC HD CAP 10-32 X 1"	4.000 EA
MJ1000B02	KLUB. GH6-460 GEAR OIL 1 LITER	0.030 GA
HW2501D10	KEY, 3/16 SQ X 1.000	1.000 EA
LB5040	INSTRUCTION TAG, AC & DC	1.000 EA
CPA1000	PACKING GROUP STD. SINGLE	1.000 EA
LB1171	LABEL CARTON 6X6 ON LINE BLANK ROLLS	1.000 EA
MG2000A14	RUST VETO 342 RUST INHIBITOR	0.001 GA
ME4000	.375-.75" DIA.#SW-04 WOVEN SHAFT PROTECT	0.080 FT

Accessories		
Part Number	Description	Multiplier
B92	BASE-HORIZONTAL FOOT MOUNT PSM	A8
B93	BASE-FACE MOUNT 3 POINT PSM	A8
BC139	.25HP-230V/SCR CNTL,AC,HP RES REQ.	E9
BC140	CS2934A,120/240VAC .5/1-HP SCR CTL,NEMA	E9
BC140-FBR	W/FOR BRAKE REV SWITCH	E9
BR0251	PLUG IN RESISTOR	E9

24A099Z063G5



CUSTOMER IS RESPONSIBLE FOR DETERMINING THAT MOTOR PERFORMANCE IS SUITABLE IN THE APPLICATION.

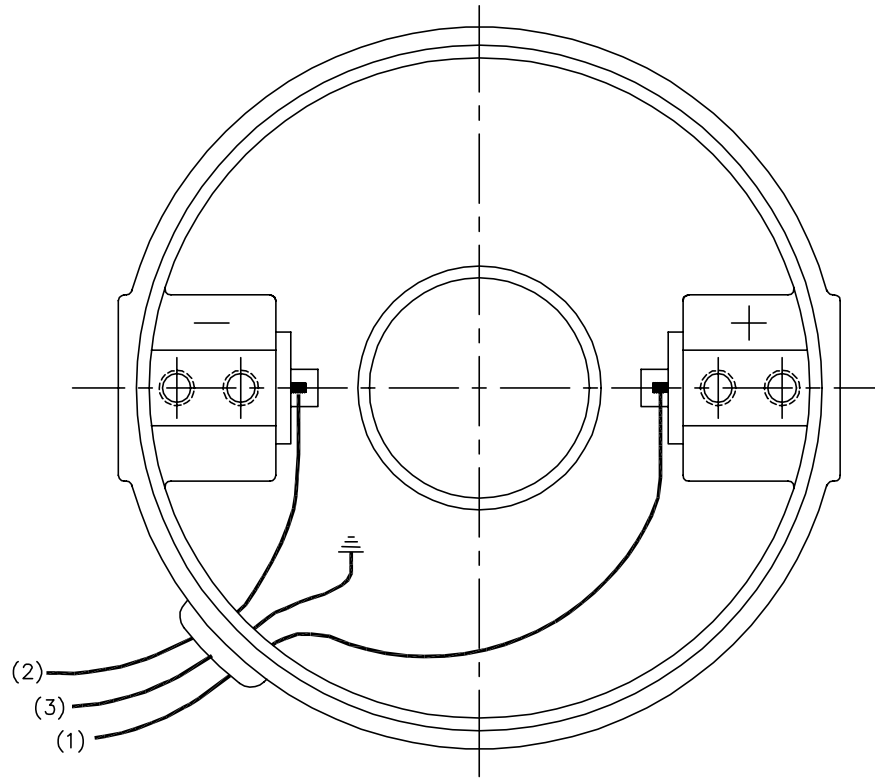
REV. DESC: CHANGED CABLE LABEL TO SJTO			
REV. LTR: B	BY: BMS	REVISED: 10: 27: 42 08/09/2004	TDR: 340091
24A099Z063G5		FILE: CKA00021599	REF: 24A099Z063G5
		MTL: -	

BALDOR ELECTRIC Co.

LY,24DC PSM DOM TENV

24A099Z063G5

CD1899



(1) COLOR MAY BE
RED
WHT
BLU

(2) COLOR MAY BE
BLK
BRN

(3) COLOR WHEN REQ.
GRN
GRN/YEL

VIEWED FROM
DRIVE END

REV. DESC: NEW			
REV. LTR: -	BY: PAW	REVISED: 09:06:34 09/16/2004	TDR: 341564
668100		FILE: CKA00025830	REF: CD1899
		MTL: -	

BALDOR ELECTRIC Co.

PM,2LD,REV,TANG,CK

CD1899