

BALDOR® • RELIANCE

Product Information Packet

ELECTRIC MOTOR WHOLESAL.COM

GPP230013

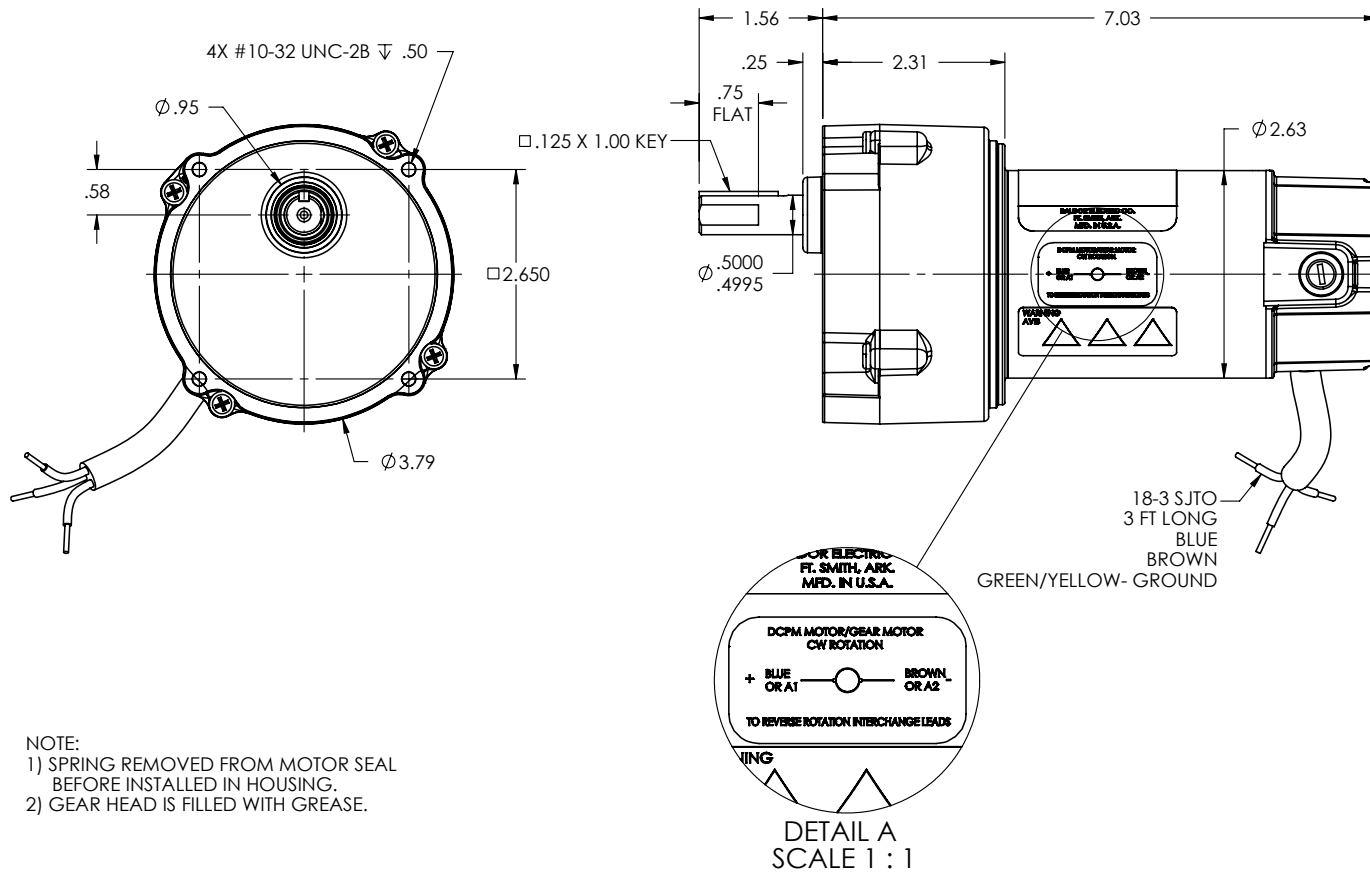
G.M. R18NA 90V DC 139 RPM 12.65:1

| Part Detail | | | | | | | |
|---------------------|--------------|-------------|-------|----------------|----------|---------------|------------|
| Revision: | C | Status: | PRD/A | Change #: | | Proprietary: | No |
| Type: | DC | Prod. Type: | | Elec. Spec: | 23WGZ061 | CD Diagram: | |
| Enclosure: | TENV | Mfg Plant: | | Mech. Spec: | | Layout: | |
| Frame: | PSSH | Mounting: | | Poles: | /// | Created Date: | 07-01-2010 |
| Base: | | Rotation: | | Insulation: | F | Eff. Date: | 04-11-2012 |
| Field Type: | | Literature: | | Elec. Diagram: | | Replaced By: | |
| Nameplate NP1220A08 | | | | | | | |
| CAT.NO. | GPP230013 | | | | | | |
| SER.NO | | | | | | | |
| SPEC. | 23A277Z061G4 | | | | | | |
| FRAME | PSSH | | | | TYPE | 2318P | |
| HP | .05 | TE | | | | | |
| VOLTS | 90 | | | | | | |
| AMP | .57 | | | | | | |
| F.F. | 1.37 | | | | CLASS | F | |
| AMB. | 40 | | | | DUTY | CONT | |
| BRUSHES | 2/BP5060BD02 | | | | | | |
| R.P.M. | 139 | | | | | | |
| TORQ/IN LB | 20 | | | | | | |
| RATIO | 12.65:1 | | | | | | |
| APRV-CE | | | | | APRV-CUL | | |

| Parts List | | |
|--------------|--|----------|
| Part Number | Description | Quantity |
| SA204316 | SA 23A277Z061G4 | 1.000 EA |
| AA014418 | AA 23A277Z061G4 | 1.000 EA |
| LC0899A07 | CONNECTION LABEL, DCPM CW ROTATION CE CO | 1.000 EA |
| BP5060BD02SP | CARBON BRUSH-1/8X3/16-CARBONE # BAL-22 | 1.000 EA |
| HG0045A10DL | HSG,PSSH EP 23 FRAME SHORT | 1.000 EA |
| BMH1729 | WASHER,PREC 1.020"X.628"X.020" | 1.000 EA |
| HW5002A42 | N5002-102 RET RING INTERNBEVELED F/6000 | 1.000 EA |
| HW3064E05 | 1/8 X 1/2 PIN DRIVE LOK TYPE H | 1.000 EA |
| HW4600D28-01 | SEAL WITHOUT SPRING | 1.000 EA |
| 23SH4001C01 | SH,ARM PSSH 23 18 | 1.000 EA |
| 23EP3108A01L | EP,23DC ODE CL 0.63 P4 | 1.000 EA |
| HW5109A06 | WASHER, WAVE SPRING FOR 22MM BORE SMALLE | 1.000 EA |
| BP4517 | BRUSH TUBE ASM | 2.000 EA |
| 80XN0632J03 | SCREW, 6-32 X 3/16", SHS, AS | 2.000 EA |
| BP4515SP | BRUSH CAP #AE-51 | 1.000 EA |
| 55XT0632G03 | 6-32 X 0.187 RD HD PHILLIPS, SERRATED | 1.000 EA |
| WD4102A01 | STRN RELIEF HEYCO #1214/M.P. 23MPO6L10 | 1.000 EA |
| LD0110A29 | ASM,CABLE 40 18-3 BRN,BLU,G/Y (4) 23F | 1.000 EA |
| HA3170A10 | THRUBOLT,FLAT HD. #8-32 THDS X 4.687 LON | 2.000 EA |
| SG0047C18 | SHAFT,ASSY PSSH SHORT INT1 2RED 2.5/5.0 | 1.000 EA |
| SG0047C19 | SHAFT,ASSY PSSH SHORT OUTP 2RED 0.0/2.5 | 1.000 EA |
| CG0001A01DL | HSG,PSSH CAP STD CASTING | 1.000 EA |
| BH1163A02 | SCE88 INA NEEDLE ROL SM21 | 1.000 EA |
| HW4600C29 | SEAL, TCM #0507416 SCW .50X.75X.165 RB | 1.000 EA |

| Parts List (continued) | | |
|------------------------|--|----------|
| Part Number | Description | Quantity |
| RM1020A21 | O-RING,3.240 I.D. X .052 BUNA (PGS) BGA4 | 1.000 EA |
| 15XM0832A08 | SCREW, 8-32X .500, THREAD FORMING | 4.000 EA |
| MJ1000A81 | GREASE, SYN-TECH NS-8301-G | 0.030 LB |
| BMH2764 | KEY 1/8"X1/8"X1" SAE 1035AUTO | 1.000 EA |
| ME4000 | .375-.75" DIA.#SW-04 WOVEN SHAFT PROTECT | 0.080 FT |
| NP1220A08 | NP,DC STD AD NONE V GEAR MOTOR CE CUL | 1.000 EA |
| LB5040 | INSTRUCTION TAG, AC & DC | 1.000 EA |
| LB1451 | WARNING LABEL, CE WARNING SYMBOLS ONLY | 1.000 EA |
| CPA1000 | PACKING GROUP STD. SINGLE | 1.000 EA |
| LB1171 | LABEL CARTON 6X6 ON LINE BLANK ROLLS | 1.000 EA |

23A277Z061G4



NOTE:
1) SPRING REMOVED FROM MOTOR SEAL BEFORE INSTALLED IN HOUSING.
2) GEAR HEAD IS FILLED WITH GREASE.

REV. DESC: NEW

REV: - VERSION: 00 REVISED: 01:56:20 07/01/2010 TDR: 000000538674

23A277Z061G4

MODEL NO. 23A277

BY: CKMARD0 Material:

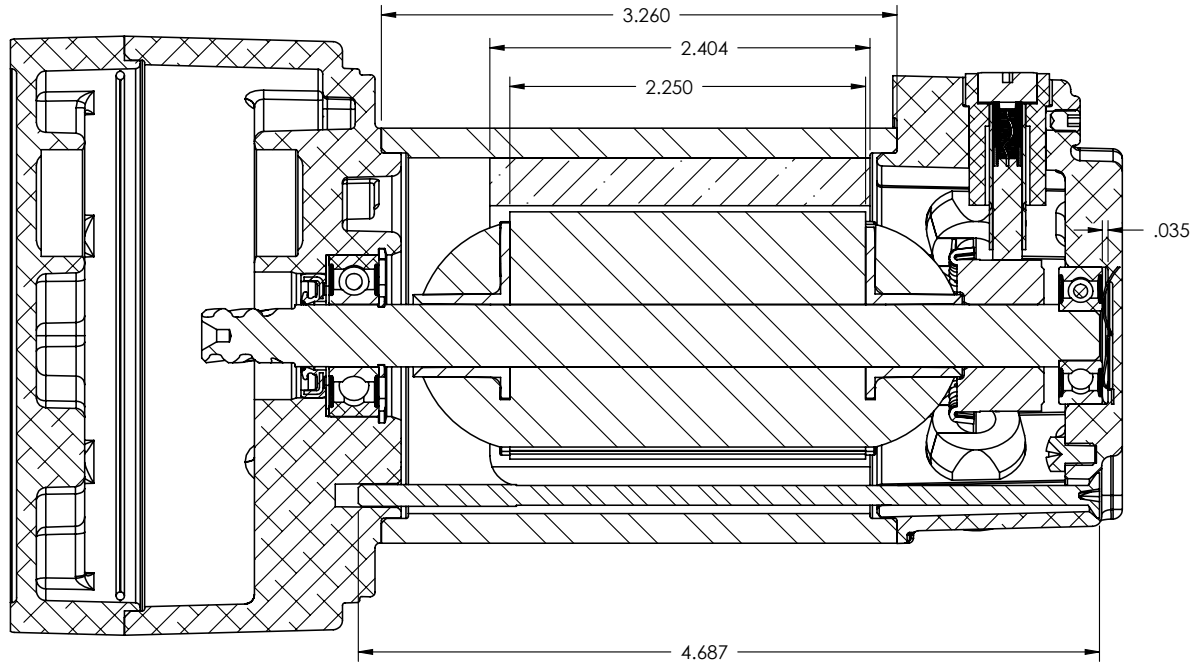
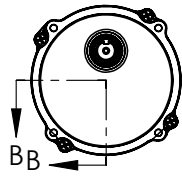
REF:

BALDOR • DODGE • RELIANCE

LY,23DC PSSH DOM TENV .50X1.56 EXT W/KEY AND FLAT

23A277Z061G4

23A277Z061G4



SECTION B-B

23A277Z061G4

REV. DESC: NEW

REV: - VERSION: 00 REVISED: 01:56:20 07/01/2010 TDR: 00000538674

23A277Z061G4

MODEL NO. 23A277

BY: CKMARD0

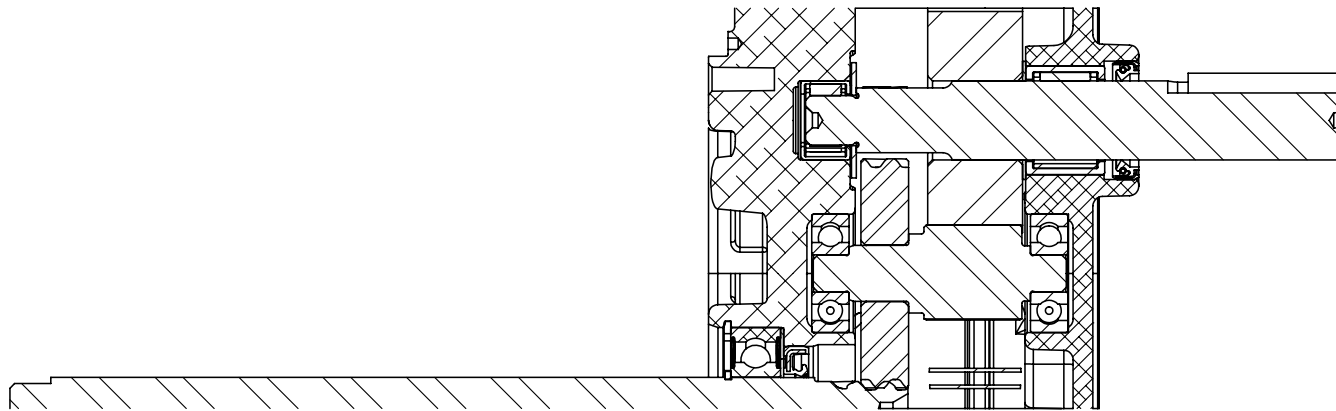
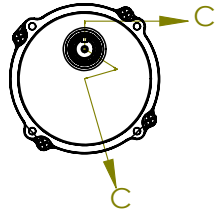
Material:

REF:

BALDOR • DODGE • RELIANCE

LY,23DC PSSH DOM TENV .50X1.56 EXT W/KEY AND FLAT

23A277Z061G4



SECTION C-C

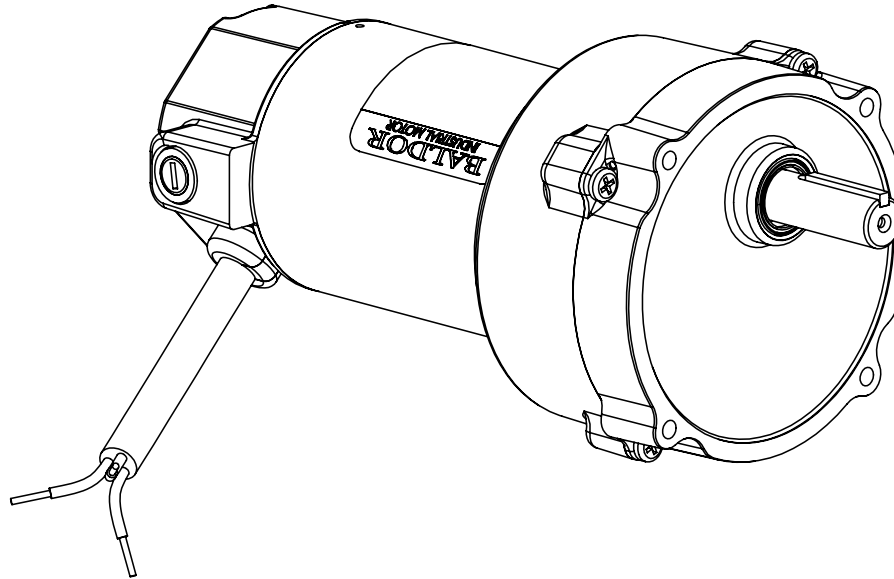
23A277Z061G4

| | | | |
|----------------|------------------|------------------------------|-------------------|
| REV. DESC: NEW | | | |
| REV: - | VERSION: 00 | REVISED: 01:56:20 07/01/2010 | TDR: 000000538674 |
| 23A277Z061G4 | MODEL NO. 23A277 | | REF: |
| | BY: CKMARD0 | Material: | |

BALDOR • DODGE • RELIANCE

LY,23DC PSSH DOM TENV .50X1.56 EXT W/KEY AND FLAT

| ITEM NO. | PART NUMBER | QTY. |
|----------|----------------|------|
| 1 | HG0045A10 | 1 |
| 2 | BMH1729 | 1 |
| 3 | BG6000C03 | 1 |
| 4 | HW5002A42 | 1 |
| 5 | HW3064E05 | 1 |
| 6 | BH1163A01 | 1 |
| 7 | HW4600D28-01 | 1 |
| 8 | 23SH4001C01 | 1 |
| 9 | HW5060A23 | 1 |
| 10 | 23AA2018 | 1 |
| | cm1052 | 1 |
| | NS4024A01 | 2 |
| | 23AL2140-1 | 1 |
| 11 | BG6608E | 1 |
| 12 | 23SB3000C14 | 1 |
| | MR6001A06A06 | 1 |
| 13 | HW3022A04 | 1 |
| 14 | PM1036A03 | 2 |
| 15 | 23EP3108A01 | 1 |
| 16 | HW5109A06 | 1 |
| 17 | BP4517 | 2 |
| 18 | 80XN0632J03 | 2 |
| 19 | BP5060-02 | 1 |
| 20 | BP4515 | 2 |
| 21 | 55XT0632G03 | 1 |
| 22 | WD4102A01 | 1 |
| 23 | 3LEADCORD | 1 |
| 24 | HA3170A10 | 2 |
| 25 | SG0047C18 | 1 |
| | GE0085B103 | 1 |
| | GE0085B08 | 1 |
| | BG6626C03 | 2 |
| 26 | SG0047C19 | 1 |
| | GE0085B104 | 1 |
| | SH0105B10 | 1 |
| | BMH3270 | 1 |
| | BH1108A01 | 1 |
| 27 | CG0001A01 | 1 |
| 28 | BH1163A02 | 1 |
| 29 | HW4600C29 | 1 |
| 30 | RM1020A21 | 1 |
| 31 | 15XM0832A08 | 4 |
| 32 | NP1220A | 1 |
| 33 | 23DC_LC0899A07 | 1 |
| 34 | LB1451 | 1 |
| 35 | BMH2764 | 1 |



23A277Z061G4

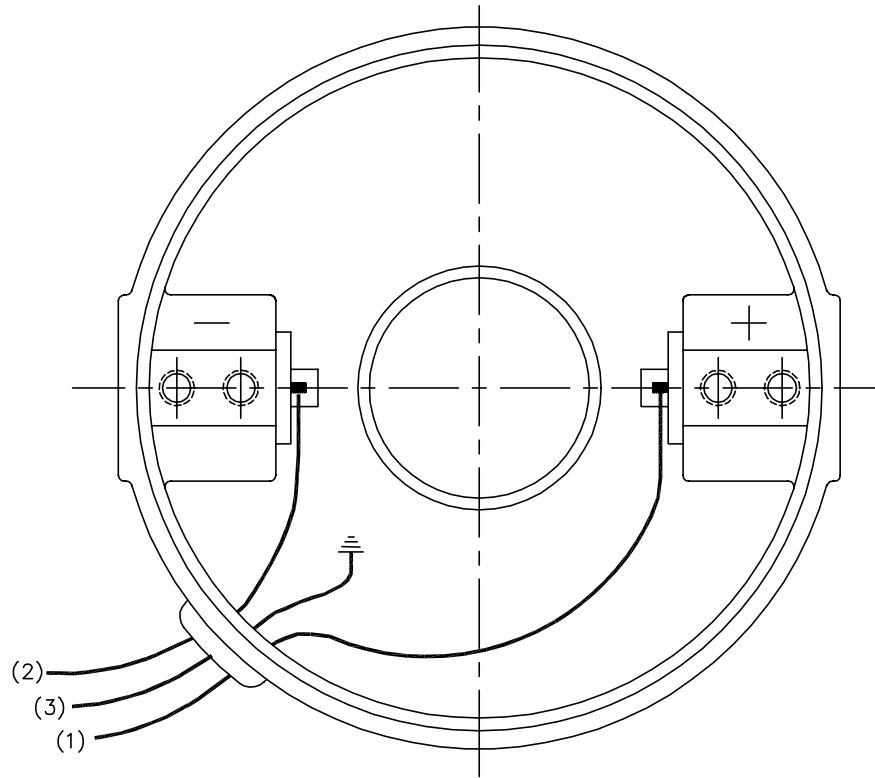
23A277Z061G4

| | | | |
|----------------|-------------|------------------------------|-------------------|
| REV. DESC: NEW | | | |
| REV: - | VERSION: 00 | REVISED: 01:56:20 07/01/2010 | TDR: 000000538674 |
| 23A277Z061G4 | | MODEL NO. 23A277 | REF: |
| | | BY: CKMARD0 | Material: |

BALDOR • DODGE • RELIANCE

LY,23DC PSSH DOM TENV .50X1.56 EXT W/KEY AND FLAT

CD1899



(1) COLOR MAY BE
RED
WHT
BLU

(2) COLOR MAY BE
BLK
BRN

(3) COLOR WHEN REQ.
GRN
GRN/YEL

VIEWED FROM
DRIVE END

| | | | |
|----------------|---------|------------------------------|-------------|
| REV. DESC: NEW | | | |
| REV. LTR: - | BY: PAW | REVISED: 09:06:34 09/16/2004 | TDR: 341564 |
| 668100 | | FILE: CKA00025830 | REF: CD1899 |
| | | MTL: - | |

BALDOR ELECTRIC Co.

PM,2LD,REV,TANG,CK

CD1899