

BALDOR® • RELIANCE

Product Information Packet

ELECTRIC MOTOR WHOLESAL.COM

GPP230019

G.M. R18NA 90V DC 90 RPM 20:1

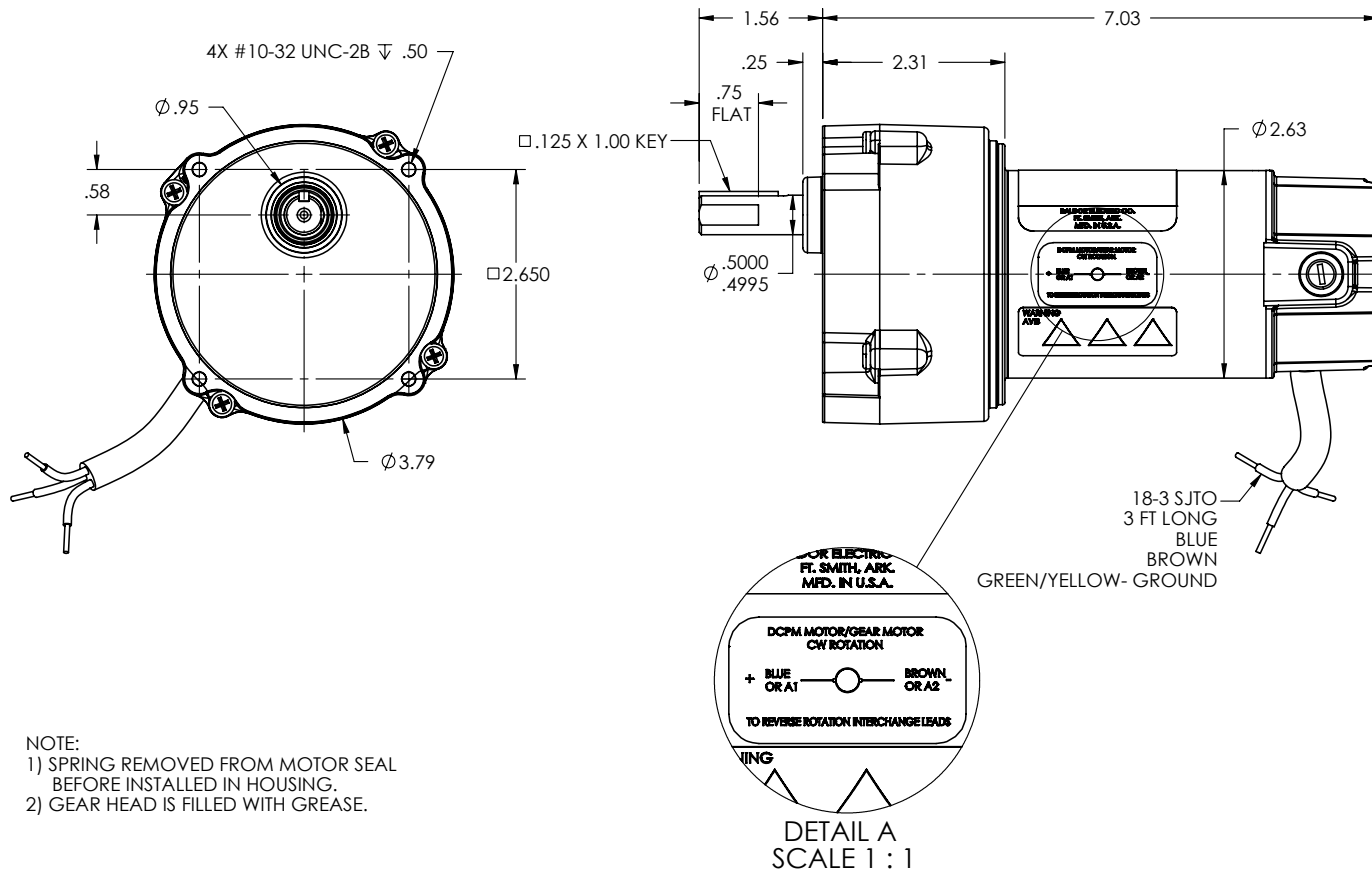
Part Detail							
Revision:	C	Status:	PRD/A	Change #:		Proprietary:	No
Type:	DC	Prod. Type:		Elec. Spec:	23WGZ061	CD Diagram:	
Enclosure:	TENV	Mfg Plant:		Mech. Spec:		Layout:	
Frame:	PSSH	Mounting:		Poles:	///	Created Date:	07-02-2010
Base:		Rotation:		Insulation:	F	Eff. Date:	04-11-2012
Field Type:		Literature:		Elec. Diagram:		Replaced By:	

Nameplate NP1220A08			
CAT.NO.	GPP230019		
SER.NO			
SPEC.	23A277Z061G5		
FRAME	PSSH	TYPE	2318P
HP	.05	TE	
VOLTS	90		
AMP	.55		
F.F.	1.37	CLASS	F
AMB.	40	DUTY	CONT
BRUSHES	2/BP5060BD02		
R.P.M.	88		
TORQ/IN LB	30		
RATIO	20:1		
APRV-CE		APRV-CUL	

Parts List		
Part Number	Description	Quantity
SA204324	SA 23A277Z061G5	1.000 EA
AA014419	AA 23A277Z061G5	1.000 EA
LC0899A07	CONNECTION LABEL, DCPM CW ROTATION CE CO	1.000 EA
BP5060BD02SP	CARBON BRUSH-1/8X3/16-CARBONE # BAL-22	1.000 EA
MJ5005A02	DYNA-WEIGHT COMPOUND BAL-1-FS,16#/KIT,	0.010 LB
HG0045A10DL	HSG,PSSH EP 23 FRAME SHORT	1.000 EA
BMH1729	WASHER,PREC 1.020"X.628"X.020"	1.000 EA
HW5002A42	N5002-102 RET RING INTERNBEVELED F/6000	1.000 EA
HW3064E05	1/8 X 1/2 PIN DRIVE LOK TYPE H	1.000 EA
HW4600D28-01	SEAL WITHOUT SPRING	1.000 EA
23SH4001C01	SH,ARM PSSH 23 18	1.000 EA
23EP3108A01L	EP,23DC ODE CL 0.63 P4	1.000 EA
HW5109A06	WASHER, WAVE SPRING FOR 22MM BORE SMALLE	1.000 EA
BP4517	BRUSH TUBE ASM	2.000 EA
80XN0632J03	SCREW, 6-32 X 3/16", SHS, AS	2.000 EA
BP4515SP	BRUSH CAP #AE-51	1.000 EA
55XT0632G03	6-32 X 0.187 RD HD PHILLIPS, SERRATED	1.000 EA
WD4102A01	STRN RELIEF HEYCO #1214/M.P. 23MPO6L10	1.000 EA
LD0110A29	ASM,CABLE 40 18-3 BRN,BLU,G/Y (4) 23F	1.000 EA
HA3170A10	THRUBOLT,FLAT HD. #8-32 THDS X 4.687 LON	2.000 EA
SG0047A09	SHAFT,ASSY PSSH SHORT INT1 2RED 4.0/5.0	1.000 EA
SG0047A43	SHAFT,ASSY PSSH SHORT OUTP 2RED 0.0/4.0	1.000 EA
CG0001A01DL	HSG,PSSH CAP STD CASTING	1.000 EA
BH1163A02	SCE88 INA NEEDLE ROL SM21	1.000 EA

Parts List (continued)		
Part Number	Description	Quantity
HW4600C29	SEAL, TCM #0507416 SCW .50X.75X.165 RB	1.000 EA
RM1020A21	O-RING,3.240 I.D. X .052 BUNA (PGS) BGA4	1.000 EA
15XM0832A08	SCREW, 8-32X .500, THREAD FORMING	4.000 EA
MJ1000A81	GREASE, SYN-TECH NS-8301-G	0.030 LB
BMH2764	KEY 1/8"X1/8"X1" SAE 1035AUTO	1.000 EA
ME4000	.375-.75" DIA.#SW-04 WOVEN SHAFT PROTECT	0.080 FT
NP1220A08	NP,DC STD AD NONE V GEAR MOTOR CE CUL	1.000 EA
LB5040	INSTRUCTION TAG, AC & DC	1.000 EA
LB1451	WARNING LABEL, CE WARNING SYMBOLS ONLY	1.000 EA
CPA1000	PACKING GROUP STD. SINGLE	1.000 EA
LB1171	LABEL CARTON 6X6 ON LINE BLANK ROLLS	1.000 EA

23A277Z061G5



NOTE:
 1) SPRING REMOVED FROM MOTOR SEAL
 BEFORE INSTALLED IN HOUSING.
 2) GEAR HEAD IS FILLED WITH GREASE.

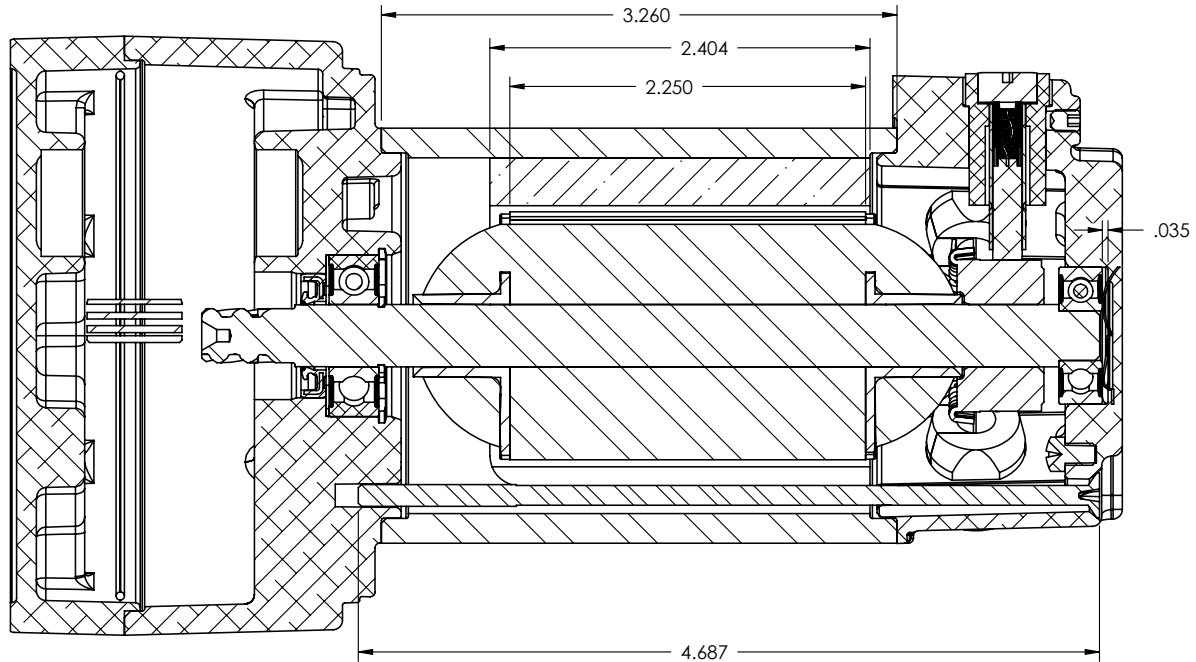
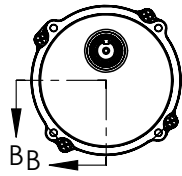
BALDOR • DODGE • RELIANCE

REV. DESC: NEW			
REV: -	VERSION: 00	REVISED: 01:49:45 07/02/2010	TDR: 000000538675
23A277Z061G5	MODEL NO. 23A277	REF:	
	BY: CKMARD0	Material:	

LY,23DC PSSH DOM TENV .50X1.56 EXT W/KEY AND FLAT

23A277Z061G5

23A277Z061G5



SECTION B-B

23A277Z061G5

REV. DESC: NEW

REV: - VERSION: 00 REVISED: 01:49:45 07/02/2010 TDR: 00000538675

23A277Z061G5

MODEL NO. 23A277

BY: CKMARD0

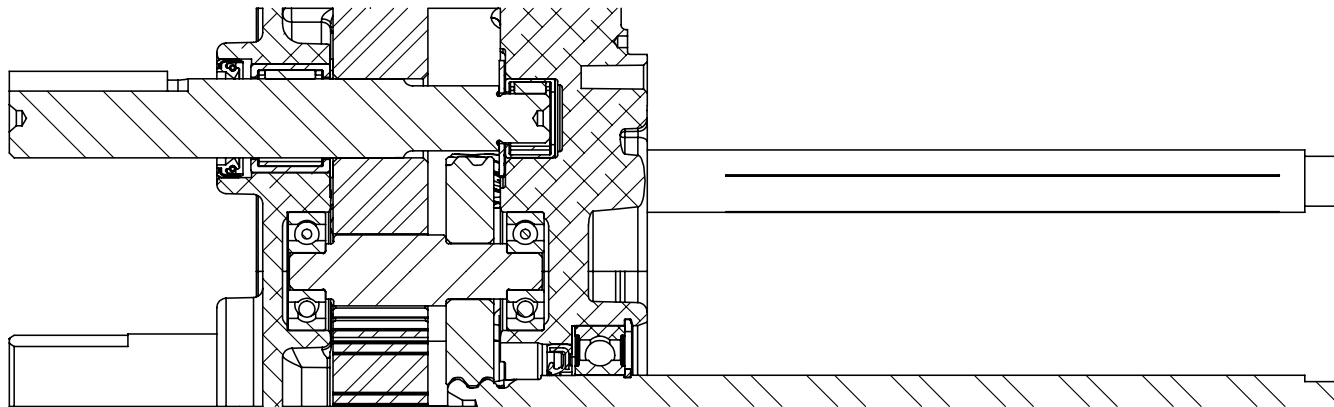
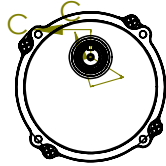
Material:

REF:

BALDOR • DODGE • RELIANCE

LY,23DC PSSH DOM TENV .50X1.56 EXT W/KEY AND FLAT

23A277Z061G5



SECTION C-C

23A277Z061G5

REV. DESC: NEW

REV: - VERSION: 00 REVISED: 01:49:45 07/02/2010 TDR: 000000538675

23A277Z061G5

MODEL NO. 23A277

BY: CKMARD0

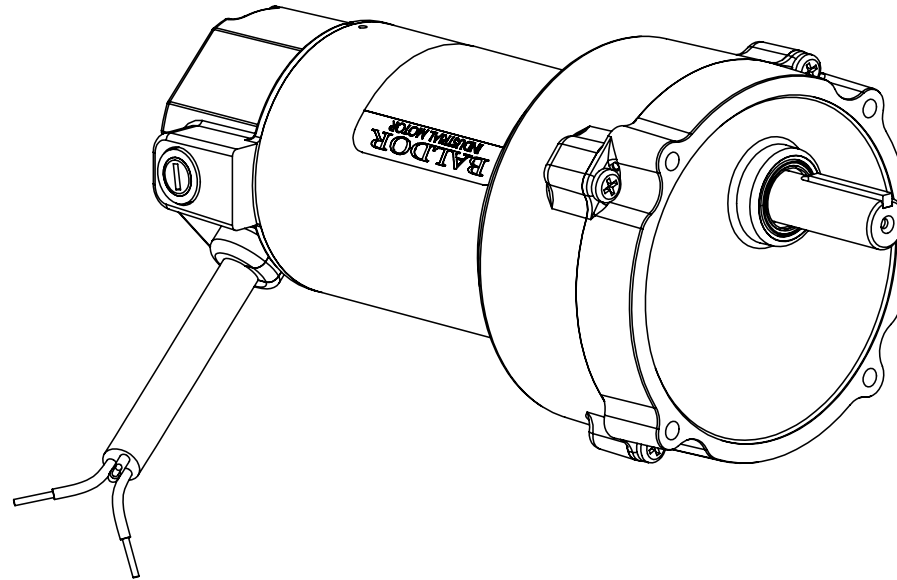
Material:

REF:

BALDOR • DODGE • RELIANCE

LY,23DC PSSH DOM TENV .50X1.56 EXT W/KEY AND FLAT

ITEM NO.	PART NUMBER	QTY.
1	HG0045A10	1
2	BMH1729	1
3	BG6000C03	1
4	HW5002A42	1
5	HW3064E05	1
6	BH1163A01	1
7	HW4600D28-01	1
8	23SH4001C01	1
9	HW5060A23	1
10	23AA2018	1
	cm1052	1
	NS4024A01	2
	23AL2140-1	1
11	BG6608E	1
12	23SB3000C14	1
	MR6001A06A06	1
13	HW3022A04	1
14	PM1036A03	2
15	23EP3108A01	1
16	HW5109A06	1
17	BP4517	2
18	80XN0632J03	2
19	BP5060-02	1
20	BP4515	2
21	55XT0632G03	1
22	WD4102A01	1
23	3LEADCORD	1
24	HA3170A10	2
25	SG0047A09	1
	GE0085B10	1
	GE0085B08	1
	BG6626C03	2
26	SG0047A43	1
	BH1108A01	1
	BMH3270	1
	SH0105B10	1
	GE0085B06	1
27	CG0001A01	1
28	BH1163A02	1
29	HW4600C29	1
30	RM1020A21	1
31	15XM0832A08	4
32	NP1220A	1
33	23DC_LC0899A07	1
34	LB1451	1
35	BMH2764	1



23A277Z061G5

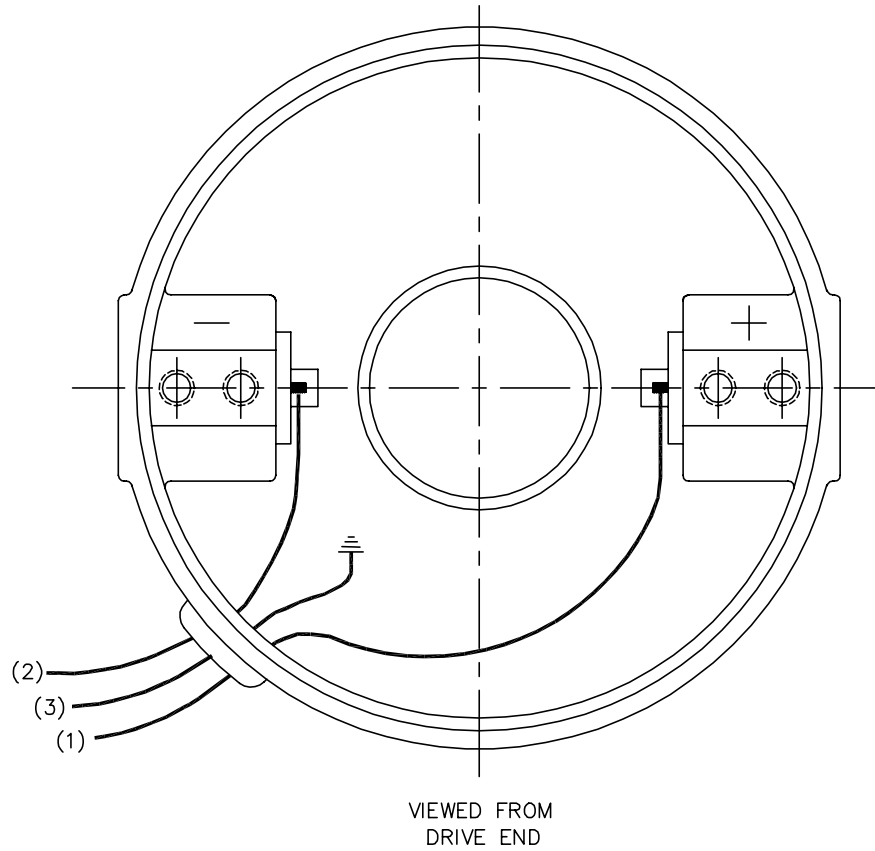
23A277Z061G5

REV. DESC: NEW			
REV: -	VERSION: 00	REVISED: 01:49:45 07/02/2010	TDR: 000000538675
23A277Z061G5		MODEL NO. 23A277	REF:
		BY: CKMARD0	Material:

BALDOR • DODGE • RELIANCE

LY,23DC PSSH DOM TENV .50X1.56 EXT W/KEY AND FLAT

CD1899



(1) COLOR MAY BE
RED
WHT
BLU

(2) COLOR MAY BE
BLK
BRN

(3) COLOR WHEN REQ.
GRN
GRN/YEL

VIEWED FROM
DRIVE END

REV. DESC: NEW			
REV. LTR: -	BY: PAW	REVISED: 09:06:34 09/16/2004	TDR: 341564
668100		FILE: CKA00025830	REF: CD1899
		MTL: -	

BALDOR ELECTRIC Co.

PM,2LD,REV,TANG,CK

CD1899