

BALDOR® • RELIANCE

Product Information Packet

ELECTRIC MOTOR WHOLESAL.COM

GPP233121

.05HP,DC,PSSH-0,2318P,TENV,GM

Part Detail							
Revision:	T	Status:	PRD/A	Change #:		Proprietary:	No
Type:	DC	Prod. Type:		Elec. Spec:	23WGZ028	CD Diagram:	
Enclosure:	TENV	Mfg Plant:		Mech. Spec:		Layout:	
Frame:	PSSH	Mounting:		Poles:	///	Created Date:	
Base:		Rotation:		Insulation:	F	Eff. Date:	04-11-2012
Field Type:		Literature:		Elec. Diagram:		Replaced By:	

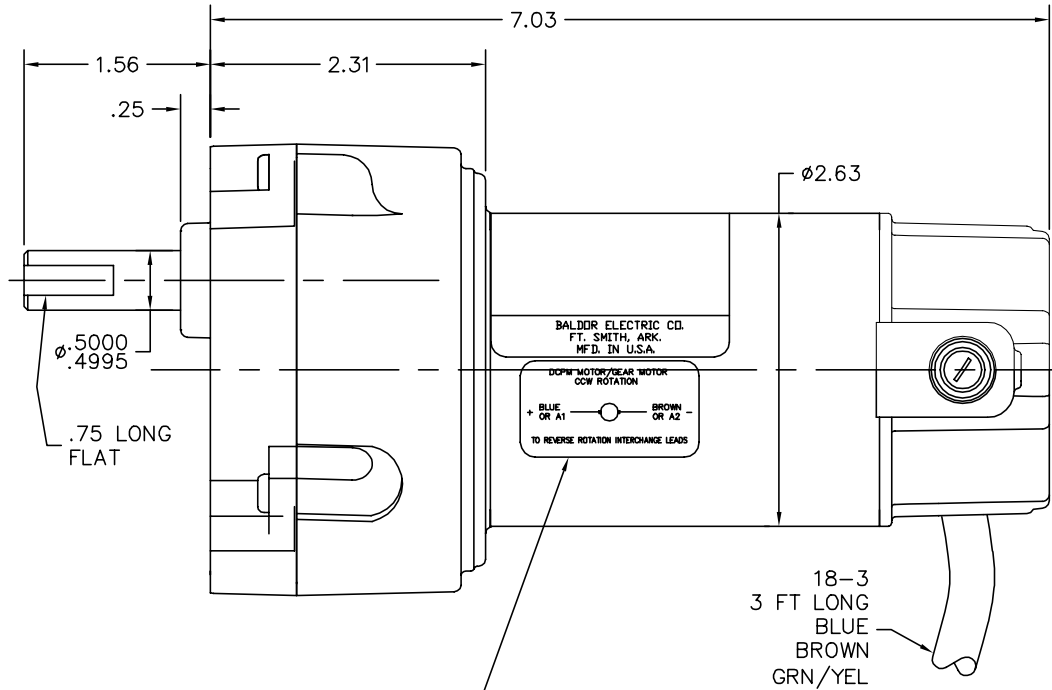
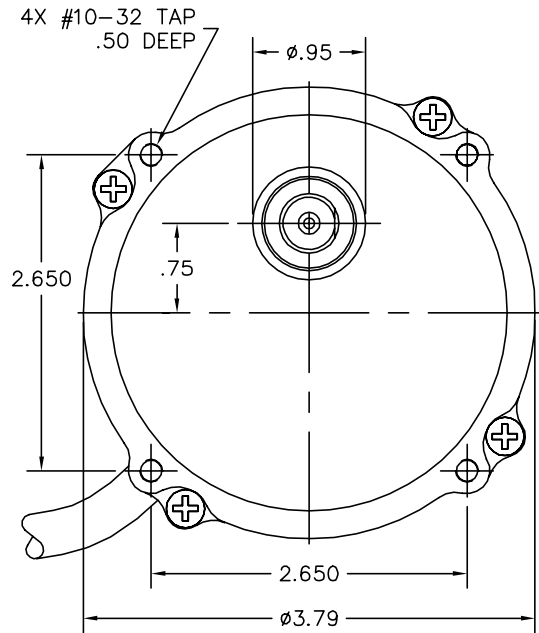
Nameplate NP1220A08			
CAT.NO.	GPP233121		
SER.NO			
SPEC.	23A277Z028G1		
FRAME	PSSH	TYPE	2318P
HP	.05	TE	
VOLTS	180DC		
AMP	.35		
F.F.	1.4	CLASS	F
AMB.	40	DUTY	CONT
BRUSHES	2/BP5060BF02		
R.P.M.	60		
TORQ/IN LB	50		
RATIO	30:1		
APRV-CE		APRV-CUL	

Parts List		
Part Number	Description	Quantity
SA078157	SA 23A277Z028G1	1.000 EA
AA007602	AA 23A277Z028G1	1.000 EA
BP5060BF02SP	1/8X3/16 GRD A252 BRUSH CARBONE#BAL-40	1.000 EA
MJ5005A02	DYNA-WEIGHT COMPOUND BAL-1-FS,16#/KIT,	0.010 LB
HG0045A10CL	HSG,PSSH EP 23 FRAME SHORT W/O FILL	1.000 EA
BMH1729	WASHER,PREC 1.020"X.628"X.020"	1.000 EA
HW5002A42	N5002-102 RET RING INTERNBEVELED F/6000	1.000 EA
HW3064E05	1/8 X 1/2 PIN DRIVE LOK TYPE H	1.000 EA
HW4600D28	SEAL,10X20X4MM TCM #03907815PSCW	1.000 EA
23SH4001C01	SH,ARM PSSH 23 18	1.000 EA
MJ5082A02	ADHESIVE,KIT PERMABOND TA04592K002L0101	0.002 EA
23EP3108A01L	EP,23DC ODE CL 0.63 P4	1.000 EA
HW5109A06	WASHER, WAVE SPRING FOR 22MM BORE SMALLE	1.000 EA
WD4102A01	STRN RELIEF HEYCO #1214/M.P. 23MPO6L10	1.000 EA
LD0110A29	ASM,CABLE 40 18-3 BRN,BLU,G/Y (4) 23F	1.000 EA
55XT0632G03	6-32 X 0.187 RD HD PHILLIPS, SERRATED	1.000 EA
BP4517	BRUSH TUBE ASM	2.000 EA
80XN0632J03	SCREW, 6-32 X 3/16", SHS, AS	2.000 EA
BP4515SP	BRUSH CAP #AE-51	1.000 EA
HA3170A10	THRUBOLT,FLAT HD. #8-32 THDS X 4.687 LON	2.000 EA
SG0047A11	SHAFT,ASSY PSSH SHORT INT1 3RED 2.0/5.0	1.000 EA
SG0047A12	SHAFT,ASSY PSSH SHORT INT2 3RED 3.0/2.0	1.000 EA
SG0047A13	SHAFT,ASSY PSSH SHORT OUTP 3RED 0.0/3.0	1.000 EA
CG0001A01CL	HSG,PSSH CAP STD CASTING	1.000 EA

Parts List (continued)		
Part Number	Description	Quantity
BH1163A02	SCE88 INA NEEDLE ROL SM21	1.000 EA
HW4600C29	SEAL, TCM #0507416 SCW .50X.75X.165 RB	1.000 EA
RM1020A21	O-RING,3.240 I.D. X .052 BUNA (PGS) BGA4	1.000 EA
15XM0832A08	SCREW, 8-32X .500, THREAD FORMING	4.000 EA
MJ1000A81	GREASE, SYN-TECH NS-8301-G	0.030 LB
LC0899A08	CONNECTION LABEL, DCPM CCW ROTATION CE C	1.000 EA
NP1220A08	NP,DC STD AD NONE V GEAR MOTOR CE CUL	1.000 EA
LB5040	INSTRUCTION TAG, AC & DC	1.000 EA
LB1451	WARNING LABEL, CE WARNING SYMBOLS ONLY	1.000 EA
CPA1000	PACKING GROUP STD. SINGLE	1.000 EA
LB1171	LABEL CARTON 6X6 ON LINE BLANK ROLLS	1.000 EA

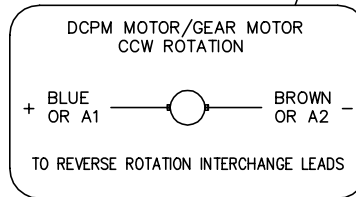
Accessories		
Part Number	Description	Multiplier
LB73	"L" BRACKET KIT FOR PSSH GEARBOX-BLACK	A8
LB73GR	"L" BRACKET KIT FOR PSSH GEARBOX-GRAY	A8
BC139	.25HP-230V/SCR CNTL,AC,HP RES REQ.	E9
BC140	CS2934A,120/240VAC .5/1-HP SCR CTL,NEMA	E9
BC140-FBR	W/FOR BRAKE REV SWITCH	E9
BR0510	PLUG IN RESISTOR	E9

23A277Z028G1



NOTES:

- 1) REMOVE SPRING FROM INPUT SEAL BEFORE INSTALING IN HOUSING.
- 2) MAGNETIZE AND CONNECT STANDARD.
- 3) GEARHEAD IS FILLED WITH GREASE. HEAVILY COAT THE GEARS, GEAR SHAFTING, AND NEEDLE BEARINGS.



CUSTOMER IS RESPONSIBLE FOR DETERMINING THAT BALDOR'S PRODUCT WILL PERFORM SUITABLY IN THE INTENDED APPLICATION.

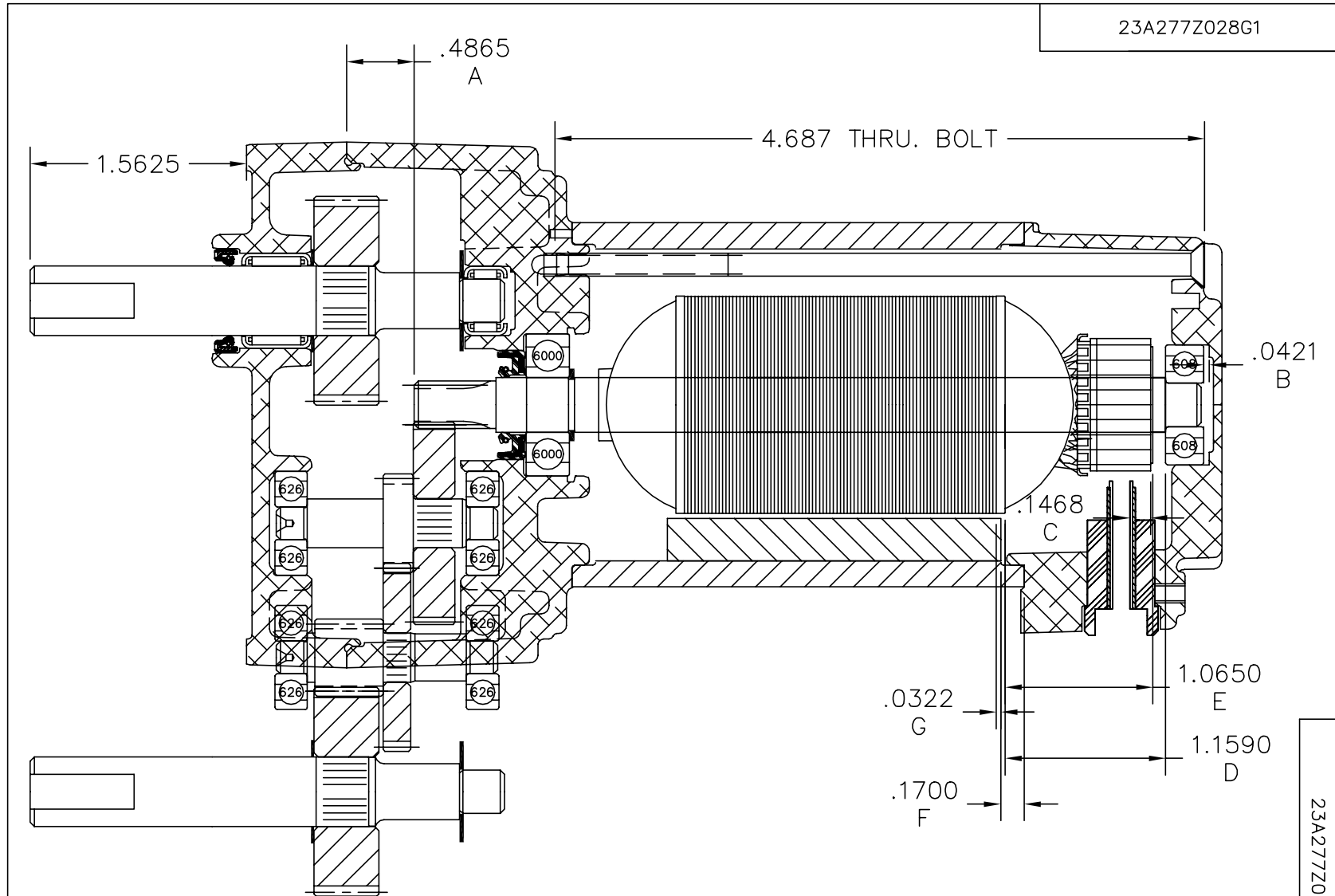
REV. DESC: UPDATE CORD DESCRIPTION & REMOVE NOTE TO TAG LEADS		
REV. LTR: E	VERSION: 05	TDR: 000000725165
FILE: \CKA\00022\750		REVISED: 01:30:52 12/12/2011
MTL: -		BY: CKAPRBO

BALDOR • DODGE • RELIANCE

LY,23DC PSSH DOM TENV .50X1.56 EXT W/FLAT LONG

SH 1 of 2

23A277Z028G1



CUSTOMER IS RESPONSIBLE FOR DETERMINING THAT BALDOR'S PRODUCT WILL PERFORM SUITABLY IN THE INTENDED APPLICATION.

REV. DESC: UPDATE CORD DESCRIPTION & REMOVE NOTE TO TAG LEADS		
REV. LTR: E	VERSION: 05	TDR: 000000725165
FILE: \CKA\00022\750	REVISED: 01:30:52 12/12/2011	
MTL: -	BY: CKAPRBO	

BALDOR • DODGE • RELIANCE

LY,23DC PSSH DOM TENV .50X1.56 EXT W/FLAT LONG

SH 2 of 2

23A277Z028G1

CD1899



(1) COLOR MAY BE
RED
WHT
BLU

(2) COLOR MAY BE
BLK
BRN

(3) COLOR WHEN REQ.
GRN
GRN/YEL

VIEWED FROM
DRIVE END

REV. DESC: NEW			
REV. LTR: -	BY: PAW	REVISED: 09:06:34 09/16/2004	TDR: 341564
668100		FILE: CKA00025830	REF: CD1899
		MTL: -	

BALDOR ELECTRIC Co.

PM,2LD,REV,TANG,CK

CD1899