

BALDOR® • RELIANCE

Product Information Packet

ELECTRIC MOTOR WHOLESAL.COM

GPP24005

1/4HP 360 RPM @ 40 In-lbs 90 DC PSM

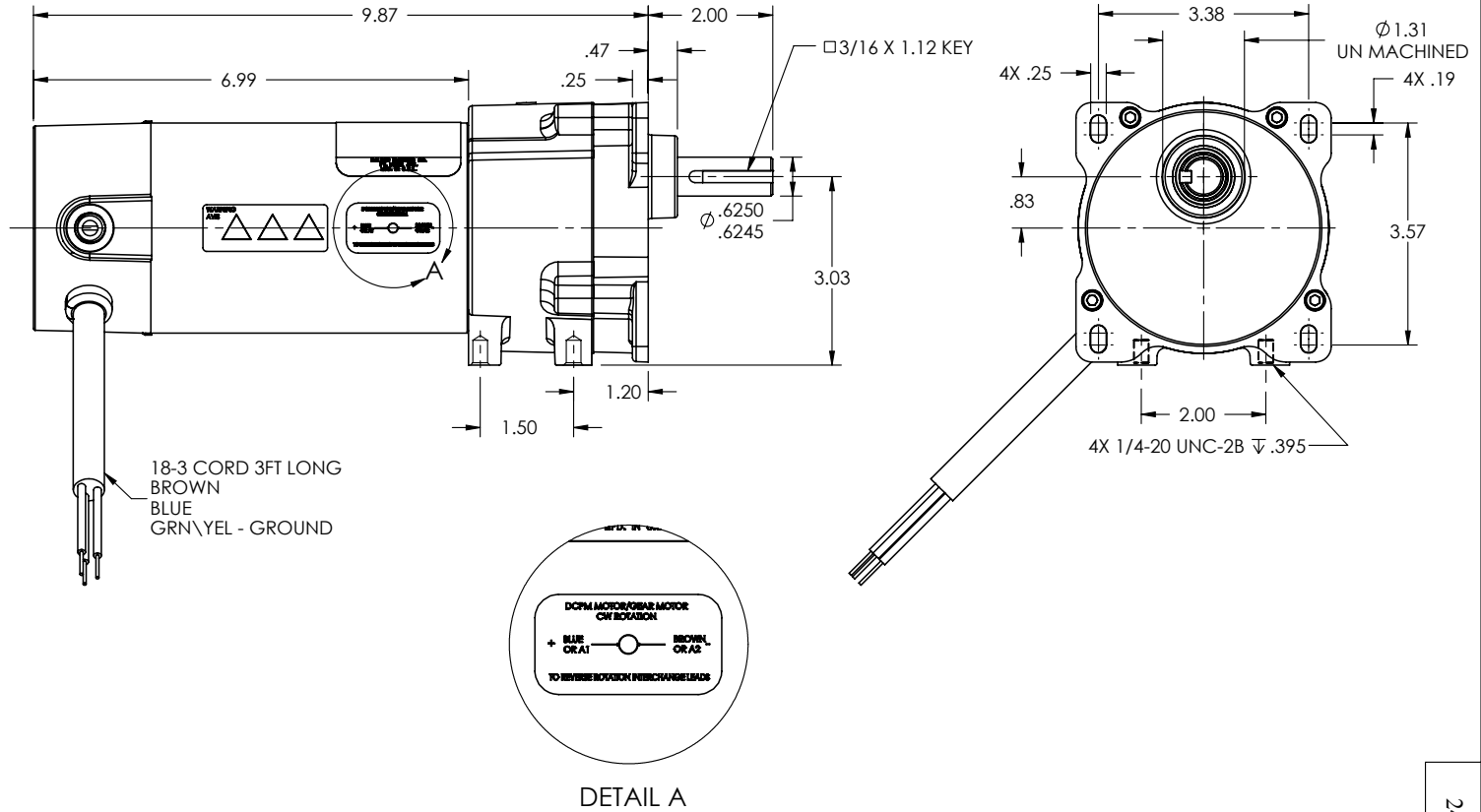
Part Detail							
Revision:	-	Status:	PRD/A	Change #:		Proprietary:	No
Type:	DC	Prod. Type:		Elec. Spec:	24WGZ175	CD Diagram:	
Enclosure:	TENV	Mfg Plant:		Mech. Spec:		Layout:	
Frame:	PSM	Mounting:		Poles:	///	Created Date:	06-07-2011
Base:		Rotation:		Insulation:	F	Eff. Date:	08-29-2011
Field Type:		Literature:		Elec. Diagram:		Replaced By:	

Nameplate NP1220A08			
CAT.NO.	GPP24005		
SER.NO			
SPEC.	24A851Z175G2		
FRAME	PSM	TYPE	2428P
HP	.25	TE	
VOLTS	90		
AMP	2.5		
F.F.	1.26	CLASS	F
AMB.	40	DUTY	CONT
BRUSHES	2/BP5052BP01		
R.P.M.	360		
TORQ/IN LB	40		
RATIO	7:1		
APRV-CE		APRV-CUL	

Parts List		
Part Number	Description	Quantity
SA228483	SA 24A851Z175G2	1.000 EA
AA014696	AA 24A851Z175G2	1.000 EA
LC0899A07	CONNECTION LABEL, DCPM CW ROTATION CE CO	1.000 EA
BP5052BP01SP	BRUSH, GRADE R884 NATIONAL CARBON (FOR 1	1.000 EA
HG0060A01CL	HSG,PSM EP 24DC 2 STAGE	1.000 EA
BMH1716	WASHER,PREC 1.175"X.751"X.02"	1.000 EA
HW5002A45	RETAINING RING,WALDES TRUARC N5002-118	1.000 EA
HW4600D28	SEAL,10X20X4MM TCM #03907815PSCW	1.000 EA
HA4021A05	1/16 NPSF-HX SOC PIPE PLUG TAPER DRY SEA	1.000 EA
HW3064E05	1/8 X 1/2 PIN DRIVE LOK TYPE H	1.000 EA
24SH4002F19	SH,ARM PSM 24 28 - .914	1.000 EA
24EP3102A01L	EP,24DC 0DE CL 0.63P4	1.000 EA
HW5109A13	WASHER, WAVE SPRING FOR 26MM BORE SMALLE	1.000 EA
BP4529SP	BRUSH TUBE HOLDER:BBR1097	1.000 EA
80XN1032A04	10-32 X 1/4 SET SCREW	2.000 EA
BP4530SP	BRUSH TUBE CAP AE-57	1.000 EA
WD4102A01	STRN RELIEF HEYCO #1214/M.P. 23MPO6L10	1.000 EA
BCB1111-115	CABLE ASS'Y, 18-3-SJTO 24F	1.000 EA
55XT0632G03	6-32 X 0.187 RD HD PHILLIPS, SERRATED	1.000 EA
HA3100A29	THRUBOLT 10-32 X 7.00	2.000 EA
SG0052B127	SHAFT,ASSY PSM LONG INT1 2RED 1.4/5.0	1.000 EA
SG0052B128	SHAFT,ASSY PSM LONG OUTP 2RED 0.0/1.4	1.000 EA
BCG5495-001CL	CAP,PSM STD	1.000 EA
RM1020A24	O-RING,3.690 I.D. X .073 BUNA BGA4882	1.000 EA

Parts List (continued)		
Part Number	Description	Quantity
HW4600D90	SEAL 0.625 X 1.000 X 0.250 SINGLE LIP	1.000 EA
BH1103	SCE1010 NEEDLE, SCE1010 .625X.812X.625	1.000 EA
84XN1032J16	SCREW, SOC HD CAP 10-32 X 1"	4.000 EA
BMH1910	KEY 3/16X3/16X1 1/8 AUTO X	1.000 EA
ME4000	.375-.75" DIA.#SW-04 WOVEN SHAFT PROTECT	0.167 FT
MJ1000B02	KLUB. GH6-460 GEAR OIL 1 LITER	0.030 GA
NP1220A08	NP,DC STD AD NONE V GEAR MOTOR CE CUL	1.000 EA
LB1451	WARNING LABEL, CE WARNING SYMBOLS ONLY	1.000 EA
LB5040	INSTRUCTION TAG, AC & DC	1.000 EA
CPA1000	PACKING GROUP STD. SINGLE	1.000 EA
LB1171	LABEL CARTON 6X6 ON LINE BLANK ROLLS	1.000 EA
MG2000A14	RUST VETO 342 RUST INHIBITOR	0.001 GA

24A851Z175G2



CUSTOMER IS RESPONSIBLE FOR DETERMINING THAT BALDOR'S PRODUCT WILL PERFORM SUITABLY IN THE INTENDED APPLICATION

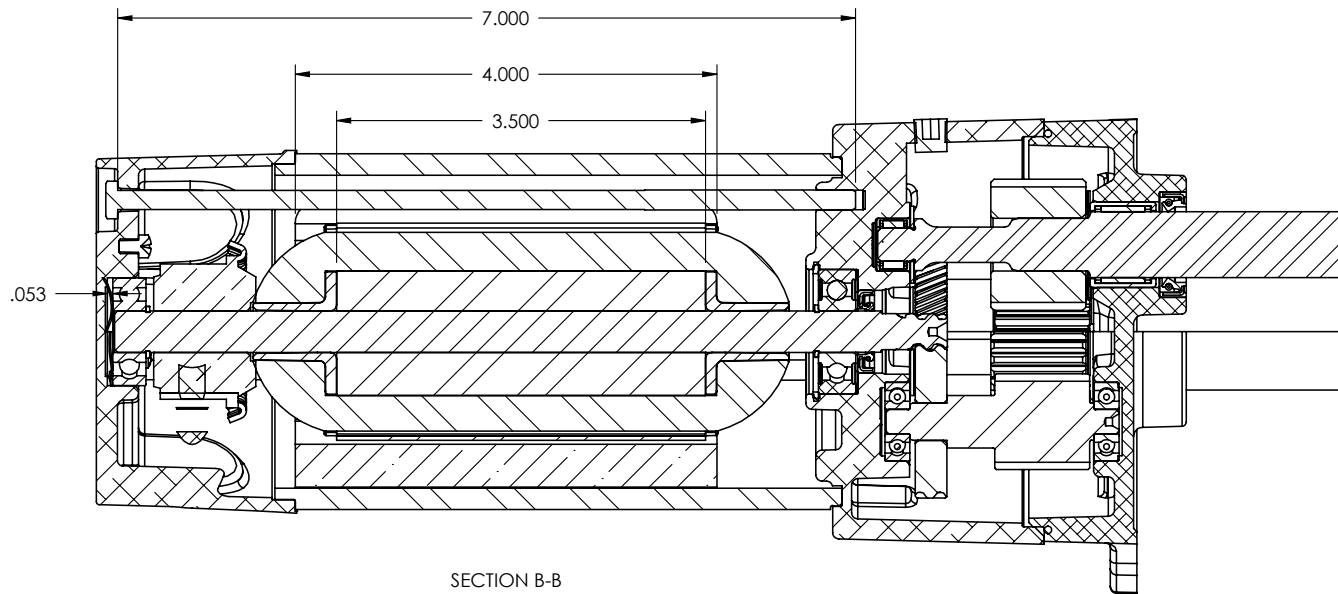
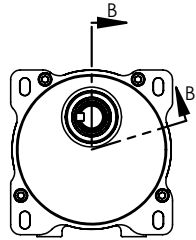
REV. DESC: NEW			
REV: -	VERSION: 00	REVISED: 08:31:02 08/08/2011	TDR: 00000538685
24A851Z175G2	MODEL NO. 24A851Z175G2		REF:
	BY: CKAPRB0		

BALDOR

LY_24DC PSM DOM TENV .5 X 2.0 7:1

24A851Z175G2

24A851Z175G2



SECTION B-B

CUSTOMER IS RESPONSIBLE FOR DETERMINING THAT BALDOR'S PRODUCT WILL PERFORM SUITABLY IN THE INTENDED APPLICATION

REV. DESC: NEW			
REV: -	VERSION: 00	REVISED: 08:31:02 08/08/2011	TDR: 000000538685
24A851Z175G2		MODEL NO. 24A851Z175G2	REF:
		BY: CKAPRB0	

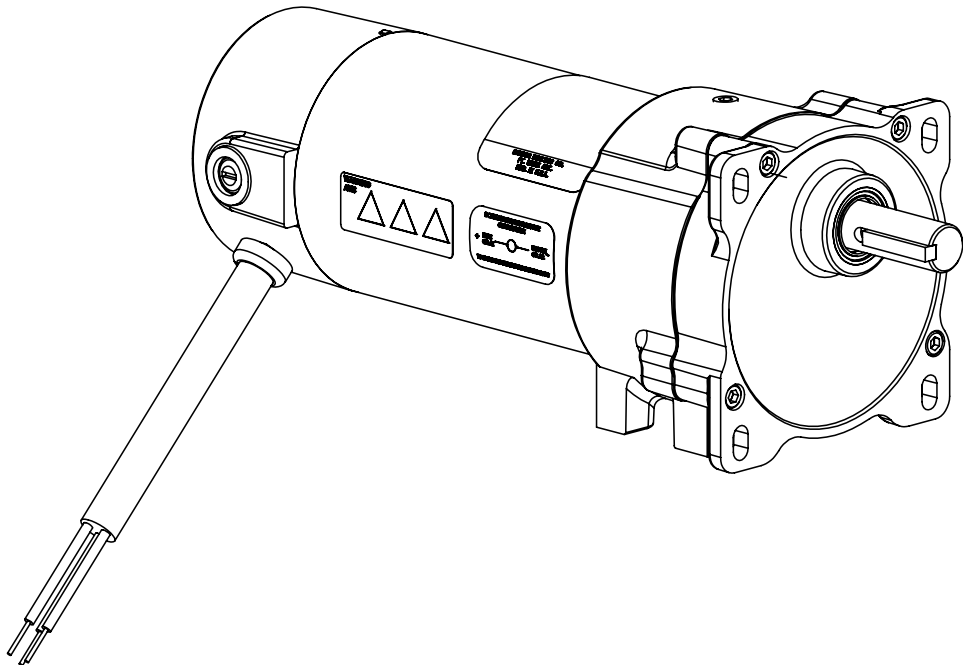
BALDOR

LY_24DC PSM DOM TENV .5 X 2.0 7:1

24A851Z175G2

ITEM NO.	PART NUMBER	QTY.
1	HG0060A01	1
2	BMH1716	1
3	BG6200C	1
4	HW5002A45	1
5	HW4600D28	1
6	HA4021A05	1
7	HW3064E05	1
8	BH1163A01	1
9	24SH4002F19	1
10	HW5060A23	2
11	24AA2028A01 10mm	1
12	SKF - 6000 - 8,DE,NC,8_68	1
13	24SB3100F14	1
14	PM1049A07	2
15	24EP3102A01	1
16	HW5109A13	1
17	BP4529	2
18	80XN1032A04	2
19	bp5052-01 compressed	2
20	BP4530	2
21	WD4102A01	1
22	LD0110A	1
23	55XT0632G03	1
24	HA3100A29	2
25	SG0052B127	1
26	SG0052B128	1
27	BCG5495-001	1
28	RM1020A24	1
29	HW4600D90	1
30	BH1103	1
31	84XN1032J16	4
32	BMH1910	1
33	NP1220 24DC DOM	1
34	24DC_LC0899A07	1
35	LB1451	1

24A851Z175G2



24A851Z175G2

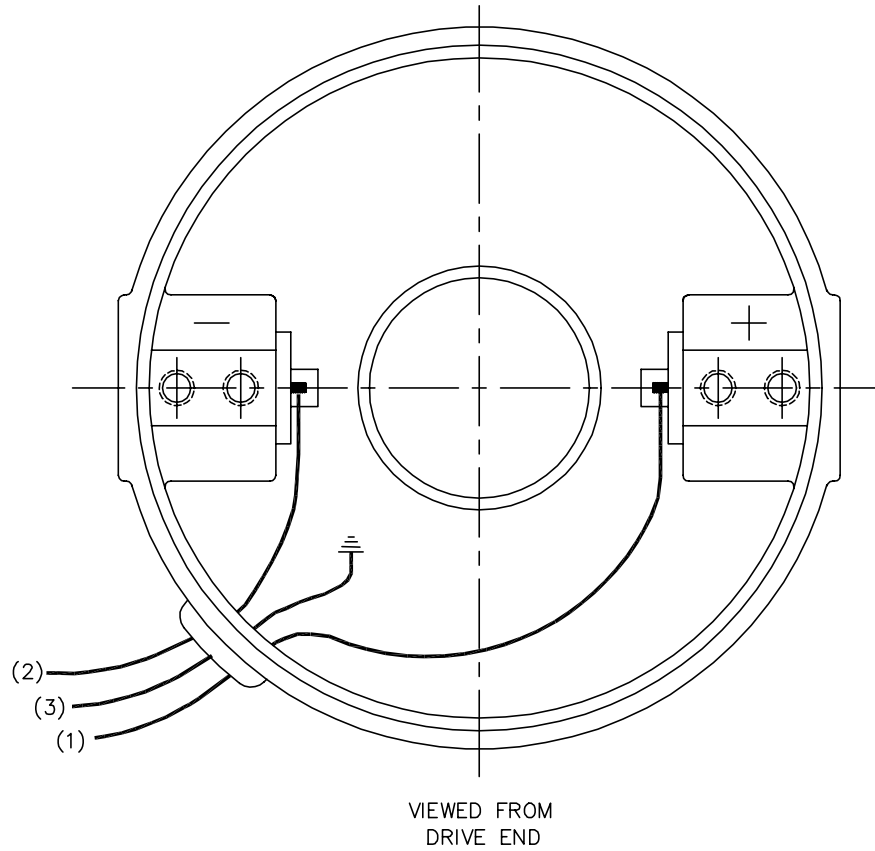
CUSTOMER IS RESPONSIBLE FOR DETERMINING THAT BALDOR'S PRODUCT WILL PERFORM SUITABLY IN THE INTENDED APPLICATION

REV. DESC: NEW			
REV: -	VERSION: 00	REVISED: 08:31:02 08/08/2011	TDR: 000000538685
24A851Z175G2		MODEL NO. 24A851Z175G2	REF:
		BY: CKAPRB0	

BALDOR

LY_24DC PSM DOM TENV .5 X 2.0 7:1

CD1899



(1) COLOR MAY BE
RED
WHT
BLU

(2) COLOR MAY BE
BLK
BRN

(3) COLOR WHEN REQ.
GRN
GRN/YEL

VIEWED FROM
DRIVE END

REV. DESC: NEW			
REV. LTR: -	BY: PAW	REVISED: 09:06:34 09/16/2004	TDR: 341564
668100		FILE: CKA00025830	REF: CD1899
		MTL: -	

BALDOR ELECTRIC Co.

PM,2LD,REV,TANG,CK

CD1899