

BALDOR® • RELIANCE

Product Information Packet

ELECTRIC MOTOR WHOLESAL.COM

GPP24019

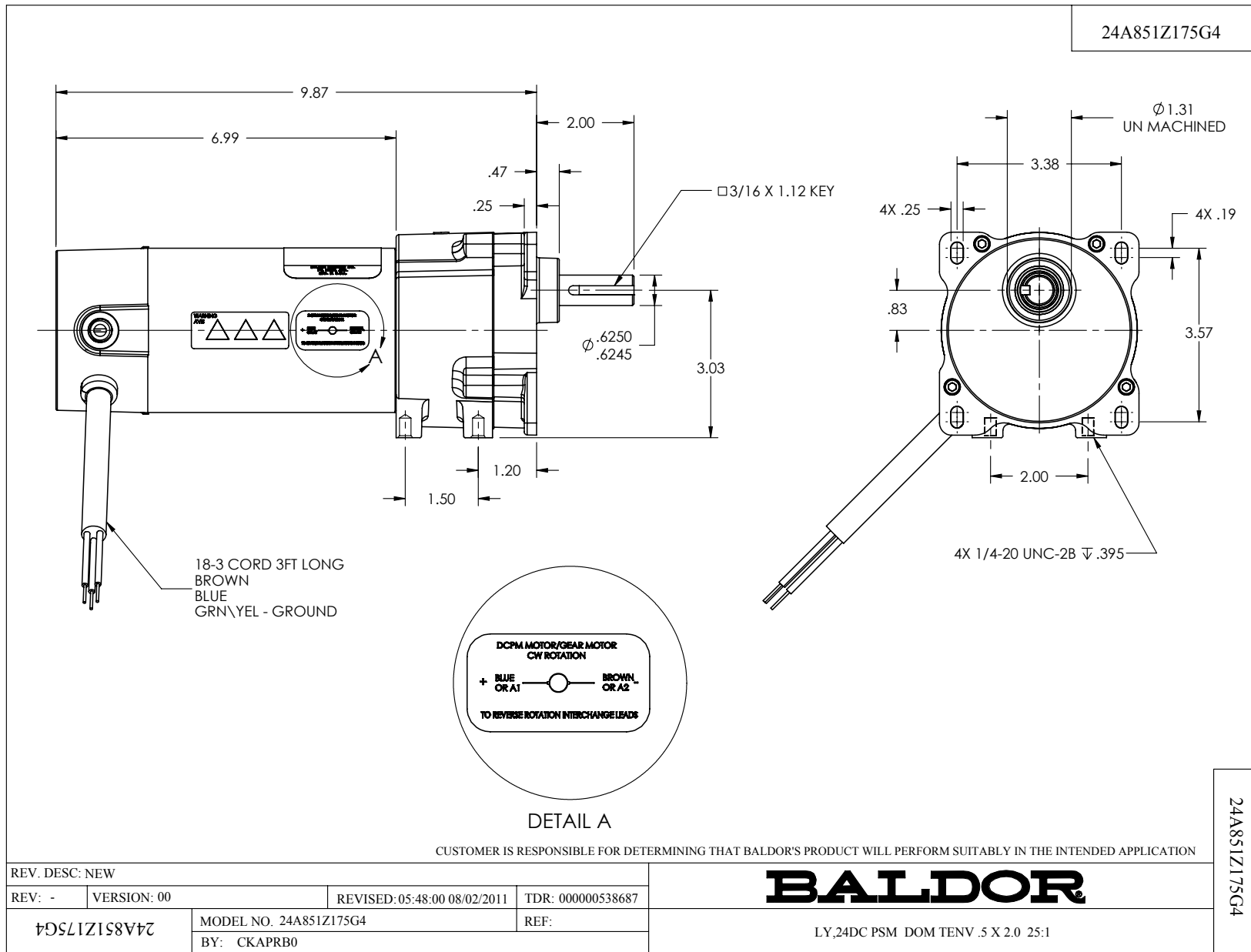
1/4HP 94 RPM @ 160 In-lbs 90 DC PSM

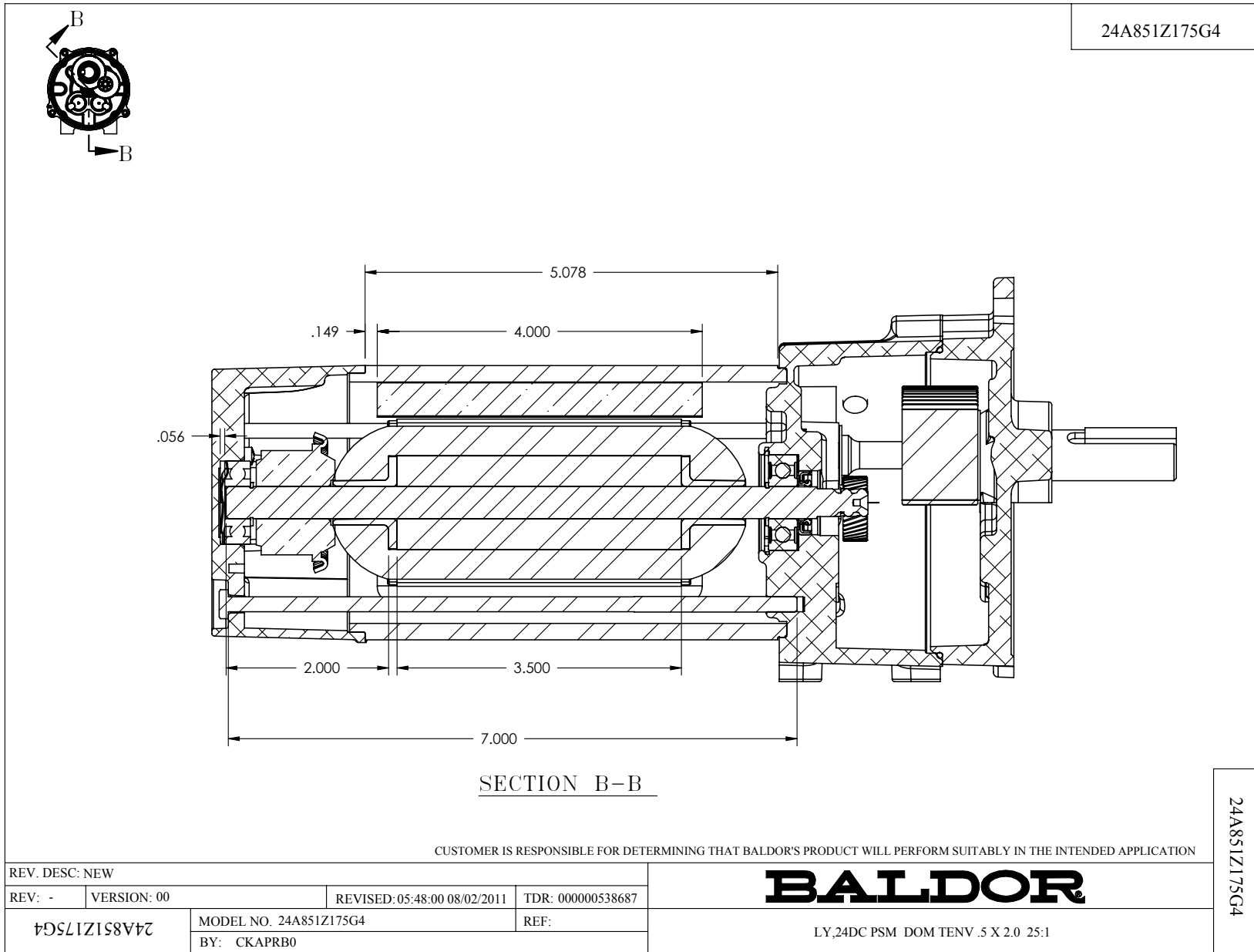
| Part Detail | | | | | | | |
|-------------|------|-------------|-------|----------------|----------|---------------|------------|
| Revision: | A | Status: | PRD/A | Change #: | | Proprietary: | No |
| Type: | DC | Prod. Type: | | Elec. Spec: | 24WGZ175 | CD Diagram: | |
| Enclosure: | TENV | Mfg Plant: | | Mech. Spec: | | Layout: | |
| Frame: | PSM | Mounting: | | Poles: | /// | Created Date: | 07-26-2011 |
| Base: | | Rotation: | | Insulation: | F | Eff. Date: | 04-11-2012 |
| Field Type: | | Literature: | | Elec. Diagram: | | Replaced By: | |

| Nameplate NP1220A08 | | | |
|---------------------|--------------|----------|-------|
| CAT.NO. | GPP24019 | | |
| SER.NO | | | |
| SPEC. | 24A851Z175G4 | | |
| FRAME | PSM | TYPE | 2428P |
| HP | .25 | TE | |
| VOLTS | 90 | | |
| AMP | 2.7 | | |
| F.F. | 1.26 | CLASS | F |
| AMB. | 40 | DUTY | CONT |
| BRUSHES | 2/BP5052BP01 | | |
| R.P.M. | 94 | | |
| TORQ/IN LB | 160 | | |
| RATIO | 25:1 | | |
| APRV-CE | | APRV-CUL | |

| Parts List | | |
|---------------|--|----------|
| Part Number | Description | Quantity |
| SA227998 | SA 24A851Z175G4 | 1.000 EA |
| AA014689 | AA 24A851Z175G4 | 1.000 EA |
| LC0899A07 | CONNECTION LABEL, DCPM CW ROTATION CE CO | 1.000 EA |
| BP5052BP01SP | BRUSH, GRADE R884 NATIONAL CARBON (FOR 1 | 1.000 EA |
| HG0060A01CL | HSG,PSM EP 24DC 2 STAGE | 1.000 EA |
| BMH1716 | WASHER,PREC 1.175"X.751"X.02" | 1.000 EA |
| HW5002A45 | RETAINING RING,WALDES TRUARC N5002-118 | 1.000 EA |
| HW4600D28 | SEAL,10X20X4MM TCM #03907815PSCW | 1.000 EA |
| HA4021A05 | 1/16 NPSF-HX SOC PIPE PLUG TAPER DRY SEA | 1.000 EA |
| HW3064E05 | 1/8 X 1/2 PIN DRIVE LOK TYPE H | 1.000 EA |
| 24SH4002F19 | SH,ARM PSM 24 28 - .914 | 1.000 EA |
| 24EP3102A01L | EP,24DC 0DE CL 0.63P4 | 1.000 EA |
| HW5109A13 | WASHER, WAVE SPRING FOR 26MM BORE SMALLE | 1.000 EA |
| BP4529SP | BRUSH TUBE HOLDER:BBR1097 | 1.000 EA |
| 80XN1032A04 | 10-32 X 1/4 SET SCREW | 2.000 EA |
| BP4530SP | BRUSH TUBE CAP AE-57 | 1.000 EA |
| WD4102A01 | STRN RELIEF HEYCO #1214/M.P. 23MPO6L10 | 1.000 EA |
| BCB1111-115 | CABLE ASS'Y, 18-3-SJTO 24F | 1.000 EA |
| 55XT0632G03 | 6-32 X 0.187 RD HD PHILLIPS, SERRATED | 1.000 EA |
| HA3100A29 | THRUBOLT 10-32 X 7.00 | 2.000 EA |
| SG0052A24 | SHAFT,ASSY PSM LONG INT1 2RED 5.0/5.0 | 1.000 EA |
| SG0052A23 | SHAFT,ASSY PSM LONG OUTP 2RED 0.0/5.0 | 1.000 EA |
| BCG5495-001CL | CAP,PSM STD | 1.000 EA |
| RM1020A24 | O-RING,3.690 I.D. X .073 BUNA BGA4882 | 1.000 EA |

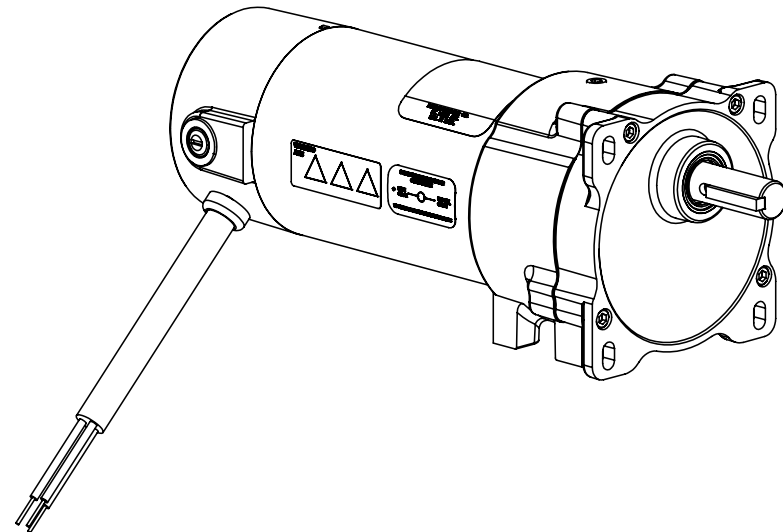
| Parts List (continued) | | |
|------------------------|--|----------|
| Part Number | Description | Quantity |
| HW4600D90 | SEAL 0.625 X 1.000 X 0.250 SINGLE LIP | 1.000 EA |
| BH1103 | SCE1010 NEEDLE, SCE1010 .625X.812X.625 | 1.000 EA |
| 84XN1032J16 | SCREW, SOC HD CAP 10-32 X 1" | 4.000 EA |
| BMH1910 | KEY 3/16X3/16X1 1/8 AUTO X | 1.000 EA |
| ME4000 | .375-.75" DIA.#SW-04 WOVEN SHAFT PROTECT | 0.167 FT |
| MJ1000B02 | KLUB. GH6-460 GEAR OIL 1 LITER | 0.030 GA |
| NP1220A08 | NP,DC STD AD NONE V GEAR MOTOR CE CUL | 1.000 EA |
| LB5040 | INSTRUCTION TAG, AC & DC | 1.000 EA |
| LB1451 | WARNING LABEL, CE WARNING SYMBOLS ONLY | 1.000 EA |
| CPA1000 | PACKING GROUP STD. SINGLE | 1.000 EA |
| LB1171 | LABEL CARTON 6X6 ON LINE BLANK ROLLS | 1.000 EA |
| MG2000A14 | RUST VETO 342 RUST INHIBITOR | 0.001 GA |





| ITEM NO. | PART NUMBER | QTY. |
|----------|---------------------------|------|
| 1 | HG0060A01 | 1 |
| 2 | BMH1716 | 1 |
| 3 | BG6200C | 1 |
| 4 | HW5002A45 | 1 |
| 5 | HW4600D28 | 1 |
| 6 | HA4021A05 | 1 |
| 7 | BH1163A01 | 1 |
| 8 | HW3064E05 | 1 |
| 9 | 24SH4002F19 | 1 |
| 10 | 24AA2028A01 10mm | 1 |
| 11 | SKF - 6000 - 8,DE,NC,8_68 | 1 |
| 12 | HW5060A23 | 2 |
| 13 | 24SB3100F14 | 1 |
| 14 | PM1049A07 | 2 |
| 15 | 24EP3102A01 | 1 |
| 16 | HW5109A13 | 1 |
| 17 | BP4529 | 2 |
| 18 | 80XN1032A04 | 2 |
| 19 | bp5052-01 compressed | 2 |
| 20 | BP4530 | 2 |
| 21 | WD4102A01 | 1 |
| 22 | LD0110A | 1 |
| 23 | 55XT0632G03 | 1 |
| 24 | HA3100A29 | 2 |
| 25 | SG0052A24 | 1 |
| 26 | SG0052A23 | 1 |
| 27 | BCG5495-001 | 1 |
| 28 | RM1020A24 | 1 |
| 29 | HW4600D90 | 1 |
| 30 | BH1103 | 1 |
| 31 | 84XN1032J16 | 4 |
| 32 | BMH1910 | 1 |
| 33 | NP1220 24DC DOM | 1 |
| 34 | 24DC_LC0899A07 | 1 |
| 35 | LB1451 | 1 |

24A851Z175G4



24A851Z175G4

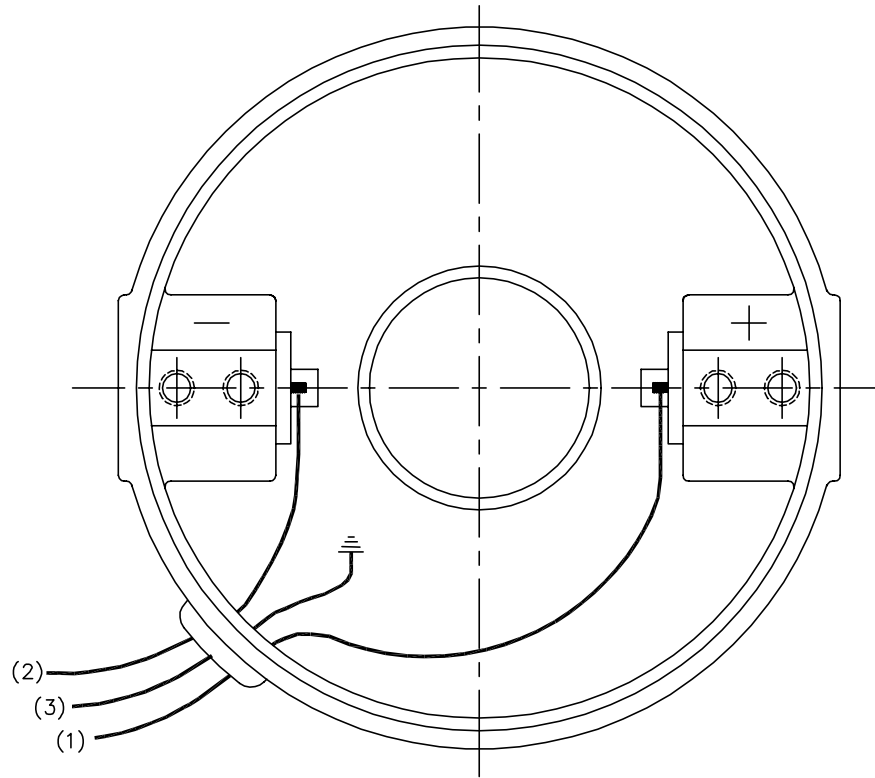
CUSTOMER IS RESPONSIBLE FOR DETERMINING THAT BALDOR'S PRODUCT WILL PERFORM SUITABLY IN THE INTENDED APPLICATION

| | | | |
|----------------|------------------------|------------------------------|-------------------|
| REV. DESC: NEW | | | |
| REV: - | VERSION: 00 | REVISED: 05:48:00 08/02/2011 | TDR: 000000538687 |
| 24A851Z175G4 | MODEL NO. 24A851Z175G4 | | REF: |
| | BY: CKAPRB0 | | |

BALDOR

LY,24DC PSM DOM TENV .5 X 2.0 25:1

CD1899



(1) COLOR MAY BE
RED
WHT
BLU

(2) COLOR MAY BE
BLK
BRN

(3) COLOR WHEN REQ.
GRN
GRN/YEL

VIEWED FROM
DRIVE END

| | | | |
|----------------|---------|------------------------------|-------------|
| REV. DESC: NEW | | | |
| REV. LTR: - | BY: PAW | REVISED: 09:06:34 09/16/2004 | TDR: 341564 |
| 668100 | | FILE: CKA00025830 | REF: CD1899 |
| | | MTL: - | |

BALDOR ELECTRIC Co.

PM,2LD,REV,TANG,CK

CD1899