

BALDOR® • RELIANCE

Product Information Packet

ELECTRIC MOTOR WHOLESAL.COM

GPP2530

G.M. L32LA 90V DC 345 RPM 30:1 GPP2530

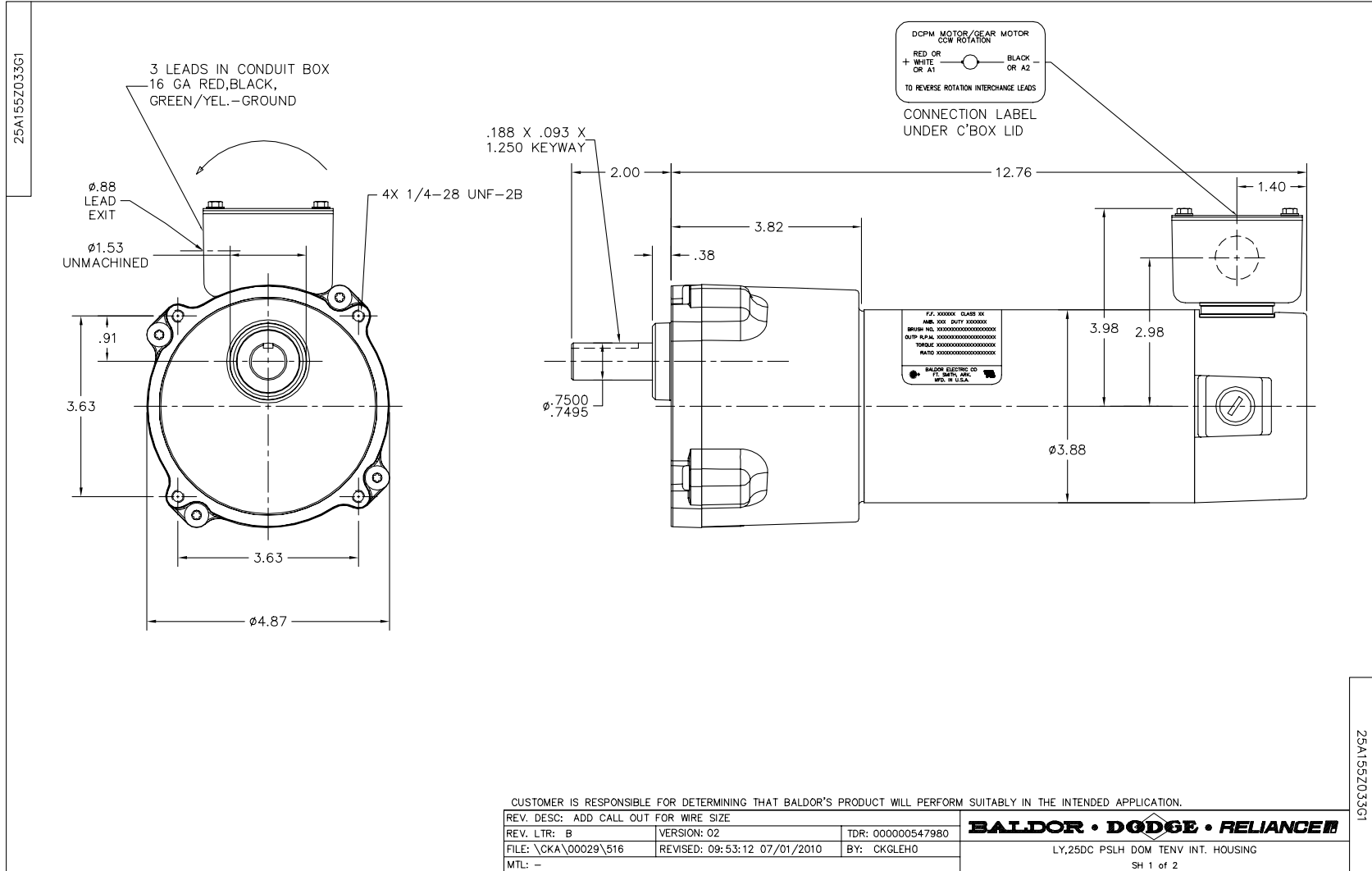
Part Detail							
Revision:	M	Status:	PRD/A	Change #:		Proprietary:	No
Type:	DC	Prod. Type:		Elec. Spec:	25WGZ033	CD Diagram:	
Enclosure:	TENV	Mfg Plant:		Mech. Spec:		Layout:	
Frame:	PSLH	Mounting:		Poles:	///	Created Date:	03-09-2006
Base:		Rotation:	R	Insulation:	F	Eff. Date:	04-11-2012
Field Type:		Literature:		Elec. Diagram:		Replaced By:	

Nameplate NP1220A14			
CAT.NO.	GPP2530		
SER.NO			
SPEC.	25A155Z033G1		
FRAME	PSLH	TYPE	2532P
HP	.33	TE	
VOLTS	90		
AMP	3.2		
F.F.	1.4	CLASS	F
AMB.	40	DUTY	CONT
BRUSHES	2/BP5040BP01		
R.P.M.	58		
TORQ/IN LB	320		
RATIO	30:1		
APRV-CSA		APRV-UL	

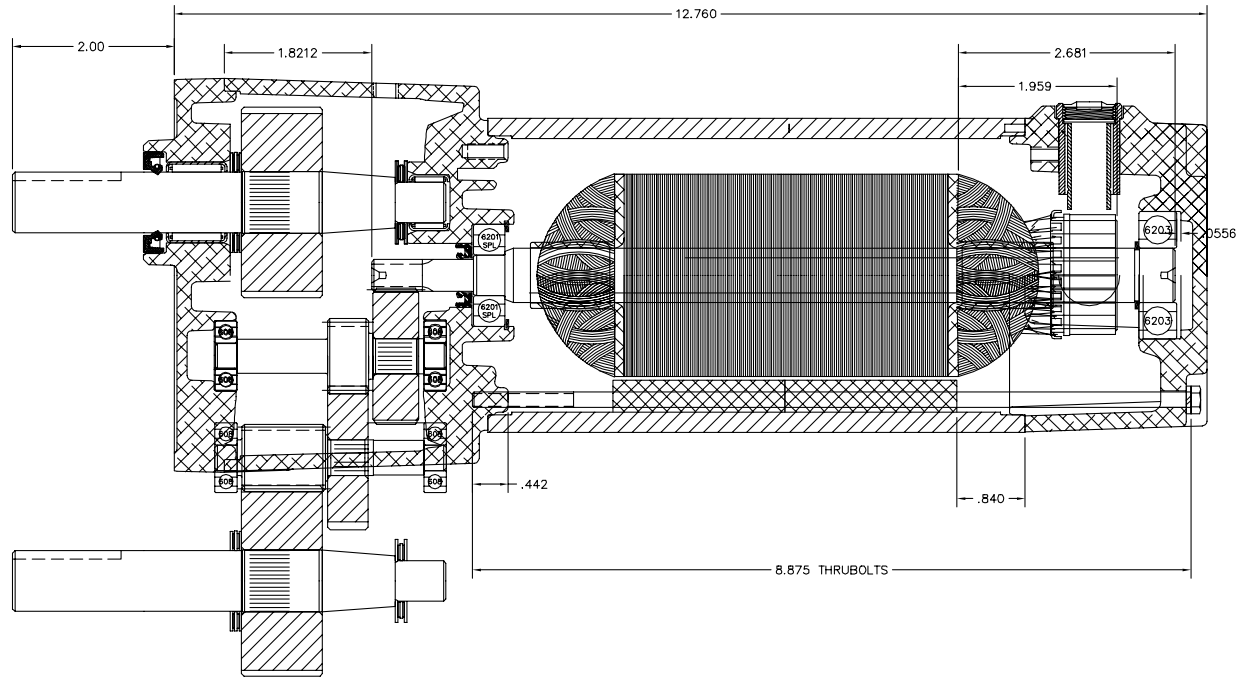
Parts List		
Part Number	Description	Quantity
SA140608	SA 25A155Z033G1	1.000 EA
AA012011	AA 25A155Z033G1	1.000 EA
LC0899A04	CONNECTION LABEL FOR TYPE DCPM	1.000 EA
BP5040BP01	BRUSH 5/16 X 7/16	2.000 EA
HG0076A05BL	HSG,PSL EP 25DC LONG HOUSING	1.000 EA
BMH1714	WASHER,PREC 1.259"X.756"X.010"	2.000 EA
HW5002A95	N5002-125 32MM BEVELED INTERNAL RET RING	1.000 EA
HW4600D28	SEAL,10X20X4MM TCM #03907815PSCW	1.000 EA
HA4021A05	1/16 NPSF-HX SOC PIPE PLUG TAPER DRY SEA	1.000 EA
25EP2102A04L	ENDPLATE, 25 FRAME BRUSH W/BLACK POWDER	1.000 EA
BP4533	BRUSH HOLDER; 6010-DF-SS-1062-TP	2.000 EA
80XN1032A04	10-32 X 1/4 SET SCREW	2.000 EA
BP4534	BRUSH TUBE CAP:BBR1095	2.000 EA
HW5109A05	WASHER, WAVE SPRING FOR 40MM BORE SMALLE	1.000 EA
LD0127A24	ASM,3LD RED,BLK,GRN RING TERM (10")	1.000 EA
WD4102A01	STRN RELIEF HEYCO #1214/M.P. 23MPO6L10	1.000 EA
WD4544A01	CABLE CLAMP, .250 DIA MICRO PLASTICS 22CC	1.000 EA
15XM0832A06	SCREW, 8-32X .375, THREAD FORMING	1.000 EA
HA6569L	ADAPTER PLATE, CONDUIT BOX PAINTED	1.000 EA
51XT0832G05	SCREW,HEX HD 8-32 X 5/16 GRN.	1.000 EA
HA3100A45	THRUBOLT 10-32 X 8.875	2.000 EA
HW1004A10	WASHER,LOCK,#10 INT. TOOTH	2.000 EA
33CB3001L	BOX, CAST W/BLACK EPOXY POWDER	1.000 EA
33GS1006	GASKET CONDUIT BOX (LEXIDE)	2.000 EA

Parts List (continued)		
Part Number	Description	Quantity
51XN0832A12	8-32 HEX SLOT WSHR HD MACH SC GRADE 2, Z	4.000 EA
34GS1001	GASKET, STD CONDUIT BOX LID (LEXIDE)	1.000 EA
34CB4500L	CONDUIT BOX LID W/BLACK EPOXY POWDER	1.000 EA
15XM0832A06	SCREW, 8-32X .375, THREAD FORMING	4.000 EA
BGS01238	SHAFT,ASSY PSLH LONG INT1 3RED 2.0/5.0	1.000 EA
BGS01239	SHAFT,ASSY PSLH LONG INT2 3RED 3.0/2.0	1.000 EA
BGS01219	SHAFT,ASSY PSLH LONG OUTP 3RED 0.0/3.0	1.000 EA
CG0012A01BL	CAP, PSL GEAR HEAD	1.000 EA
BH1163A03	SCE1212 INA NEEDLE ROLLER BBG1027	1.000 EA
HW4600D39	SEAL, .750 X 1.250 X .250 SINGLE	1.000 EA
RM1020A22	O-RING .070 X 4.527	1.000 EA
HW3064E05	1/8 X 1/2 PIN DRIVE LOK TYPE H	1.000 EA
MJ1000B02	KLUB. GH6-460 GEAR OIL 1 LITER	0.112 GA
60XM2520A12	SCREW,PAN TORX 1/4-20X.750 THREAD FORMIN	4.000 EA
NP1220A14	NP,DC STD AD NONE V CSA UL GEAR MOTOR	1.000 EA
BMH1910	KEY 3/16X3/16X1 1/8 AUTO X	1.000 EA
ME4000	.375-.75" DIA.#SW-04 WOVEN SHAFT PROTECT	0.021 FT
CPA1001	PACKING GROUP OVERSIZED SINGLE	1.000 EA
LB1171	LABEL CARTON 6X6 ON LINE BLANK ROLLS	1.000 EA

Accessories		
Part Number	Description	Multiplier
LB75	BASE, L BRACKET 34 FRAME PSL KIT GRAY	A8
BC138	KBWM-120 120VAC .25-HP SCR CTL, N	E9
BC140	CS2934A, 120/240VAC .5/1-HP SCR CTL, NEMA	E9
BC140-FBR	W/FOR BRAKE REV SWITCH	E9
BR0035	PLUG IN RESISTOR	E9



25A155Z033G1



25A155Z033G1

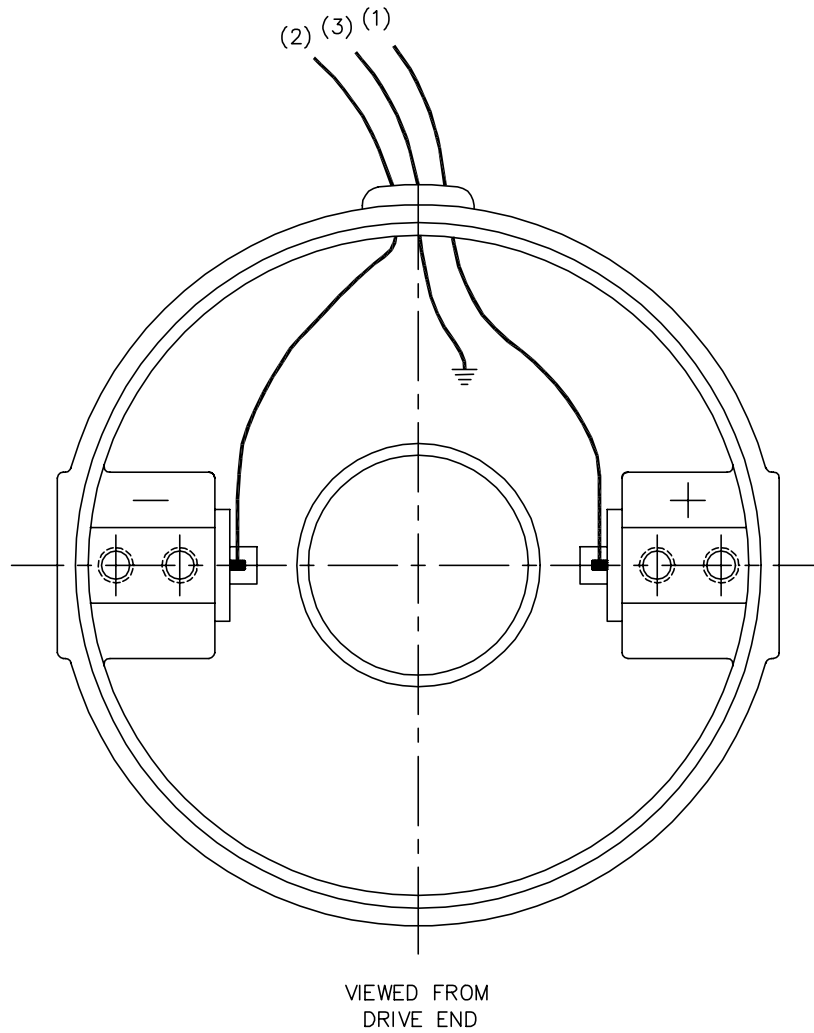
CUSTOMER IS RESPONSIBLE FOR DETERMINING THAT BALDOR'S PRODUCT WILL PERFORM SUITABLY IN THE INTENDED APPLICATION.

REV. DESC: ADD CALL OUT FOR WIRE SIZE		
REV. LTR: B	VERSION: 02	TDR: 000000547980
FILE: \CKA\00029\516	REVISED: 09:53:13 07/01/2010	BY: CKGLEHO
MTL: -		

BALDOR • DODGE • RELIANCE

LY,25DC PSLH DOM TENV INT. HOUSING
SH 2 of 2

CD1918



(1) COLOR MAY BE
RED
WHT
BLU

(2) COLOR MAY BE
BLK
BRN

(3) COLOR WHEN REQ.
GRN
GRN/YEL

VIEWED FROM
DRIVE END

CD1918

REV. DESC: NEW		VERSION: 00		TDR: 000000353283	
REV. LTR: -		FILE: \CKA\00026\698		REVISED: 05:52:44 01/21/2005	
816100		MTL: -		BY: CKPHIWO	

BALDOR ELECTRIC Co.

PM,2LD,REV,TANG,CK