

# **BALDOR® • RELIANCE**

**Product Information Packet**

**ELECTRIC MOTOR WHOLESAL.COM**

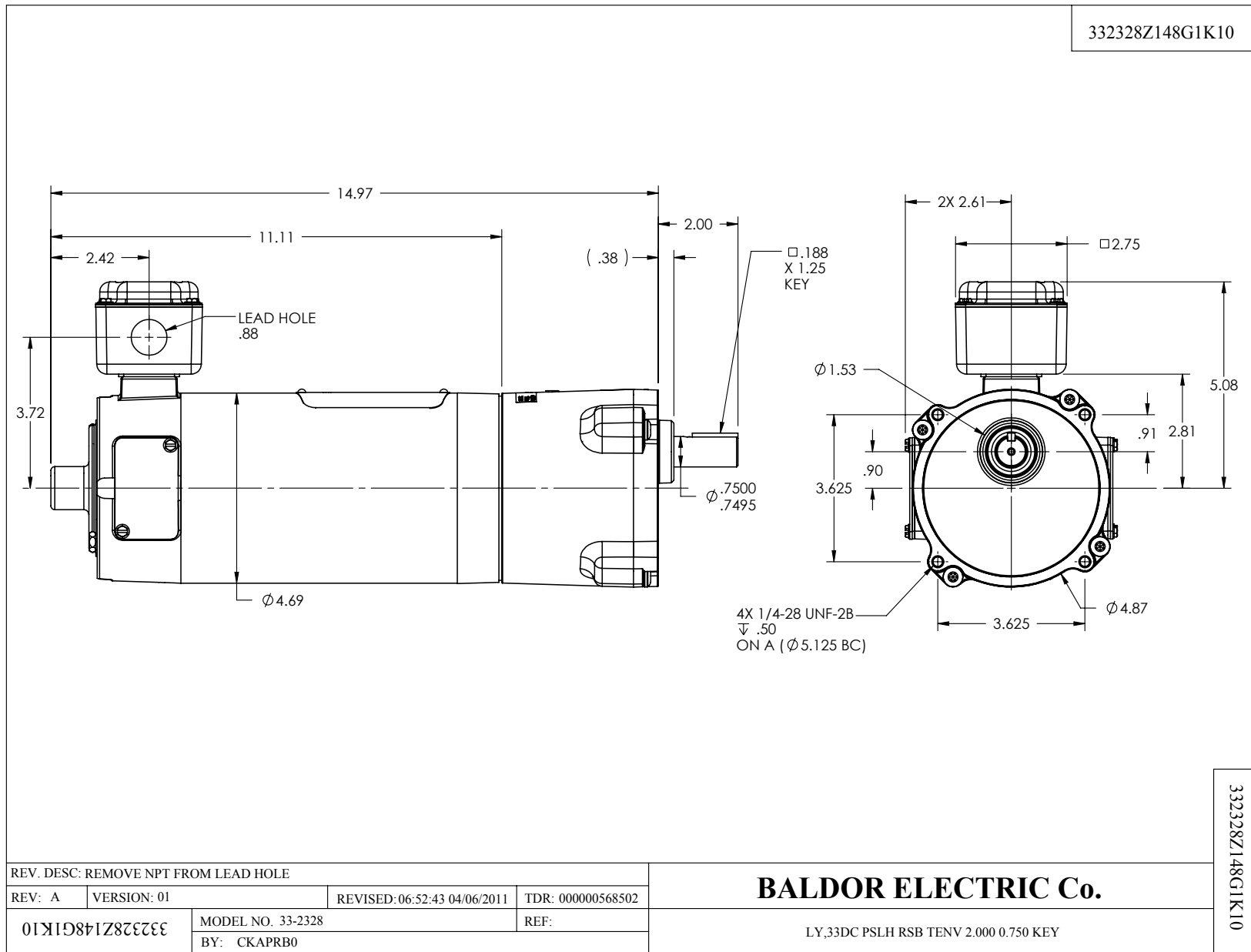
**GPP3344**

**G.M. F27LF 90V DC 167 RPM CAT# GPP3344**

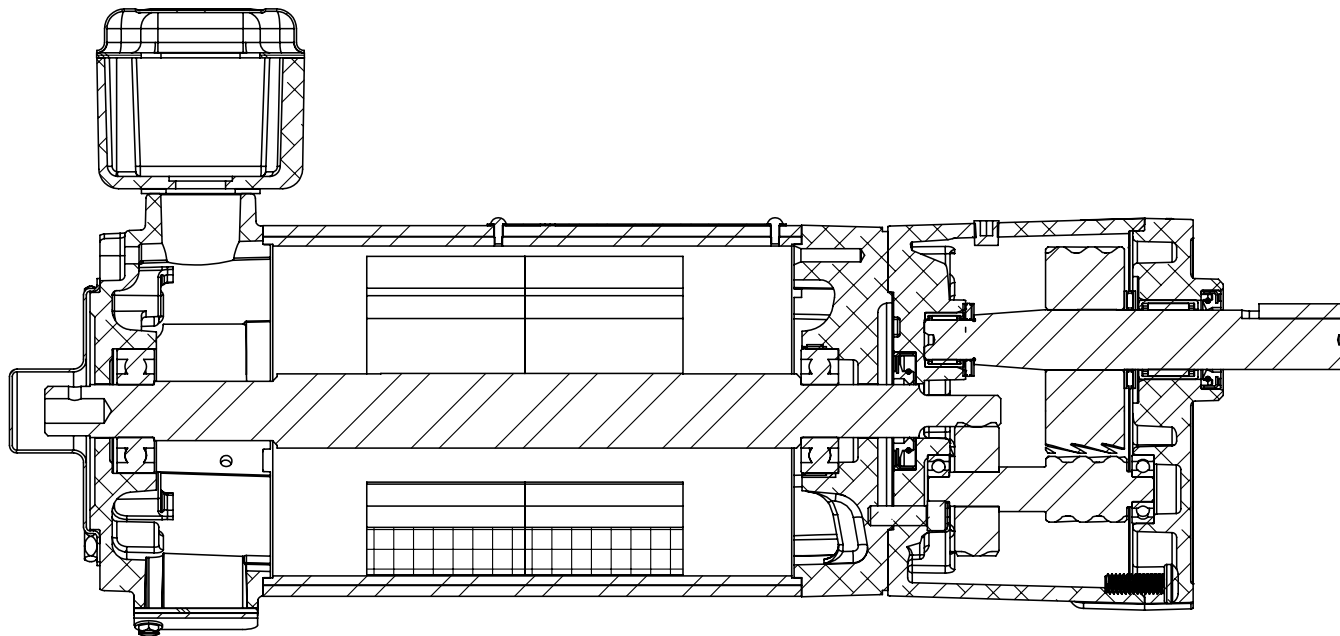
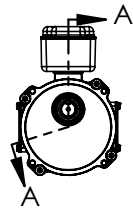
Part Detail							
Revision:	D	Status:	PRD/A	Change #:		Proprietary:	No
Type:		Prod. Type:		Elec. Spec:		CD Diagram:	
Enclosure:	TENV	Mfg Plant:		Mech. Spec:		Layout:	
Frame:	PSLH	Mounting:		Poles:		Created Date:	05-07-2009
Base:		Rotation:		Insulation:		Eff. Date:	07-13-2012
Field Type:		Literature:		Elec. Diagram:		Replaced By:	
Nameplate NP1286A09							
SPEC.	332328Z148G1K10						
CAT.	GPP3344				SER.		
RATIO	15:1				TORQ/LI	171	

Parts List		
Part Number	Description	Quantity
33-2328Z148G1	.25HP,2500RPM,DC,42CZ,3327P,TENV,F1,N	1.000 EA
HG0080A01CG	HSG,PSL FLAT BACK LONG HOUSING	1.000 EA
HW4600C70	SEAL .669 X 1.496 X .276, SINGLE LIP	1.000 EA
HW3064E05	1/8 X 1/2 PIN DRIVE LOK TYPE H	1.000 EA
BH1163A02	SCE88 INA NEEDLE ROL SM21	1.000 EA
HA4021A05	1/16 NPSF-HX SOC PIPE PLUG TAPER DRY SEA	1.000 EA
84XN2520J16	1/4-20 X 1 SOC HD CAP SCREW	4.000 EA
HW1028A25	NYLON SEALING COLLAR,1/4"(NYLTITE)	4.000 EA
BGS01218	SHAFT,ASSY PSLH LONG INT1 2RED 3.0/5.0	1.000 EA
BGS01219	SHAFT,ASSY PSLH LONG OUTP 3RED 0.0/3.0	1.000 EA
CG0012A01CG	CAP, PSL GEAR HEAD	1.000 EA
RM1020A22	O-RING .070 X 4.527	1.000 EA
BH1163A03	SCE1212 INA NEEDLE ROLLER BBG1027	1.000 EA
HW4600D39	SEAL, .750 X 1.250 X .250 SINGLE	1.000 EA
60XM2520A12	SCREW,PAN TORX 1/4-20X.750 THREAD FORMIN	4.000 EA
MJ1000B02	KLUB. GH6-460 GEAR OIL 1 LITER	0.010 GA
BMH1910	KEY 3/16X3/16X1 1/8 AUTO X	1.000 EA
ME4000	.375-.75" DIA.#SW-04 WOVEN SHAFT PROTECT	0.090 FT
NP1286A09	NP,GR AD NONE H	1.000 EA
LB5040	INSTRUCTION TAG, AC & DC	1.000 EA
BPK5007A01	CARTON ASSY. (1 PER)	1.000 EA
LB1171	LABEL CARTON 6X6 ON LINE BLANK ROLLS	1.000 EA

Accessories		
Part Number	Description	Multiplier
LB75	BASE, L BRACKET 34 FRAME PSL KIT GRAY	A8
BC140	CS2934A,120/240VAC .5/1-HP SCR CTL,NEMA	E9
BC140-FBR	W/FOR BRAKE REV SWITCH	E9
BR0025	PLUG IN RESISTOR,0.025 ohm	E9



332328Z148G1K10



SECTION A-A  
SCALE 1 : 2

REV. DESC: REMOVE NPT FROM LEAD HOLE

REV: A	VERSION: 01	REVISED: 06:52:43 04/06/2011	TDR: 000000568502
--------	-------------	------------------------------	-------------------

332328Z148G1K10

MODEL NO. 33-2328  
BY: CKAPRB0

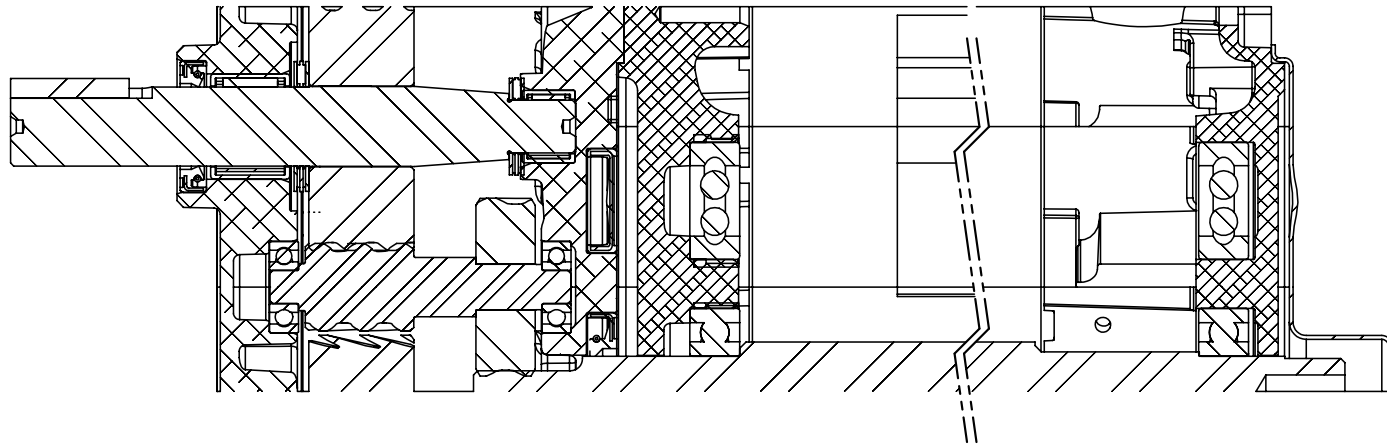
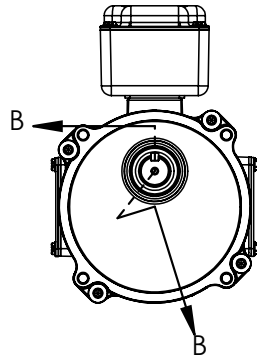
REF:

**BALDOR ELECTRIC Co.**

LY,33DC PSLH RSB TENV 2.000 0.750 KEY

332328Z148G1K10

332328Z148G1K10



SECTION B-B

REV. DESC: REMOVE NPT FROM LEAD HOLE

REV: A    VERSION: 01    REVISED: 06:52:43 04/06/2011    TDR: 000000568502

332328Z148G1K10

MODEL NO. 33-2328  
BY: CKAPRB0

REF:

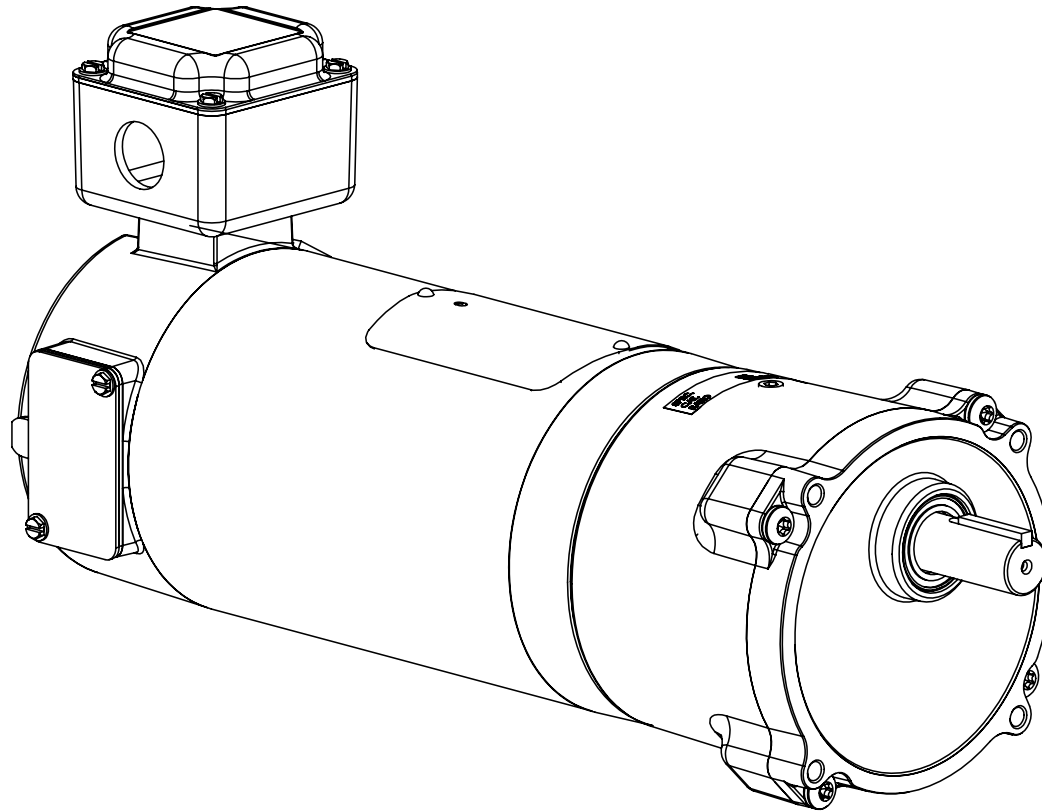
**BALDOR • DODGE • RELIANCE**

LY,33DC PSLH RSB TENV 2.000 0.750 KEY

332328Z148G1K10

ITEM NO.	PART NUMBER	QTY.
1	327	
	33SB3003A03	1
	PM1014A01	4
	33SB9003C01	1
	33EP3303A	1
	33EP3101A04	1
	33SH0479C01	1
	BG6203C03	2
	33CB4501A01	2
	33GS1005A01	2
	HA6887	1
	33GS1006A01	1
	33CB3001	1
	34CS1001	1
	34CB4512	1
	51XW0832A07	8
	NP0000	1
	85XU0407A04	2
	10XN2520A06	2
2	HG0080A01	1
3	HW4600C70	1
4	HW3064E05	1
5	BH1163A02	1
6	HA4021A05	1
7	84XN2520112	4
8	BGS01219	1
	BGE5769	1
	SH0106A38	1
	BH1166A02	1
	BH1166A01	1
	BH1108A02	2
	BH1108A04	2
9	bgs01218	1
	GE0079B44	1
	BG6608C03	2
	BSG5624	1
10	CG0012A01	1
11	BH1163A03	1
12	HW4600D39	1
13	60XM2520A12	4
14	BMH1910	1
15	NP1286A09	1
16	SG0045A99	1
	GE0079B58	1
	SH0106A38	1
	BH1166A02	1
	BH1166A01	1
	BH1108A02	2
	BH1108A04	2
17	SG0045A95	1
	GE0079B57	1
	GE0079B44	1
	SKF - 608 -	2
	8.DE.NC.8_68	
18	BGS01371	1
	BGE5769	1
	BSG5724	1
	BH1166A02	1
	BH1166A01	1
	BH1108A02	2
	BH1108A04	2

332328Z148G1K10



332328Z148G1K10

REV. DESC: REMOVE NPT FROM LEAD HOLE

REV: A	VERSION: 01	REVISED: 06:52:43 04/06/2011	TDR: 000000568502
--------	-------------	------------------------------	-------------------

**BALDOR ELECTRIC Co.**

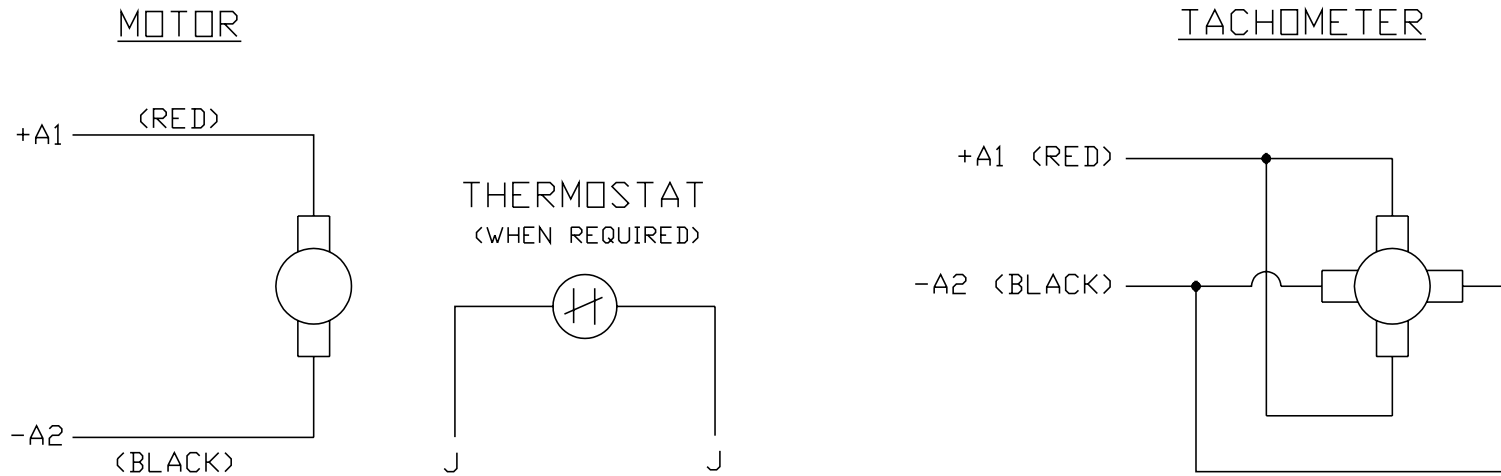
332328Z148G1K10

MODEL NO. 33-2328  
BY: CKAPRB0

REF:

LY\_33DC\_PSLH\_RSB\_TENV\_2.000\_0.750\_KEY

CD0194



NOTES:

1. CCW ROTATION AS SHOWN FACING COMMUTATOR END. TO REVERSE MOTOR ROTATION OR TACHOMETER OUTPUT POLARITY INTERCHANGE LEADS A1(RED) & A2(BLACK)
2. LEAD COLORS FOR REFERENCE ONLY & NOT SPECIFIED BY THIS DRAWING. LEAD COLORS SPECIFIED BY LAYOUT DRAWING & BILL OF MATERIAL ONLY.

MATL: -			
REV:	E	ADDED NOTE "LEAD COLORS FOR REFERENCE ONLY &..."	
#61000		SCALE: -	BY: CK
CD0194		REVISD: 07/28/95	TDR: 0078737
		FILE: AAA00004503	

**BALDOR ELECTRIC Co.**

CD TYPE P DC PERMANENT MAGNET MOTORS AND TACHOMETERS

CD0194