

BALDOR® • ***RELIANCE***

Product Information Packet

ELECTRIC MOTOR WHOLESAL.COM

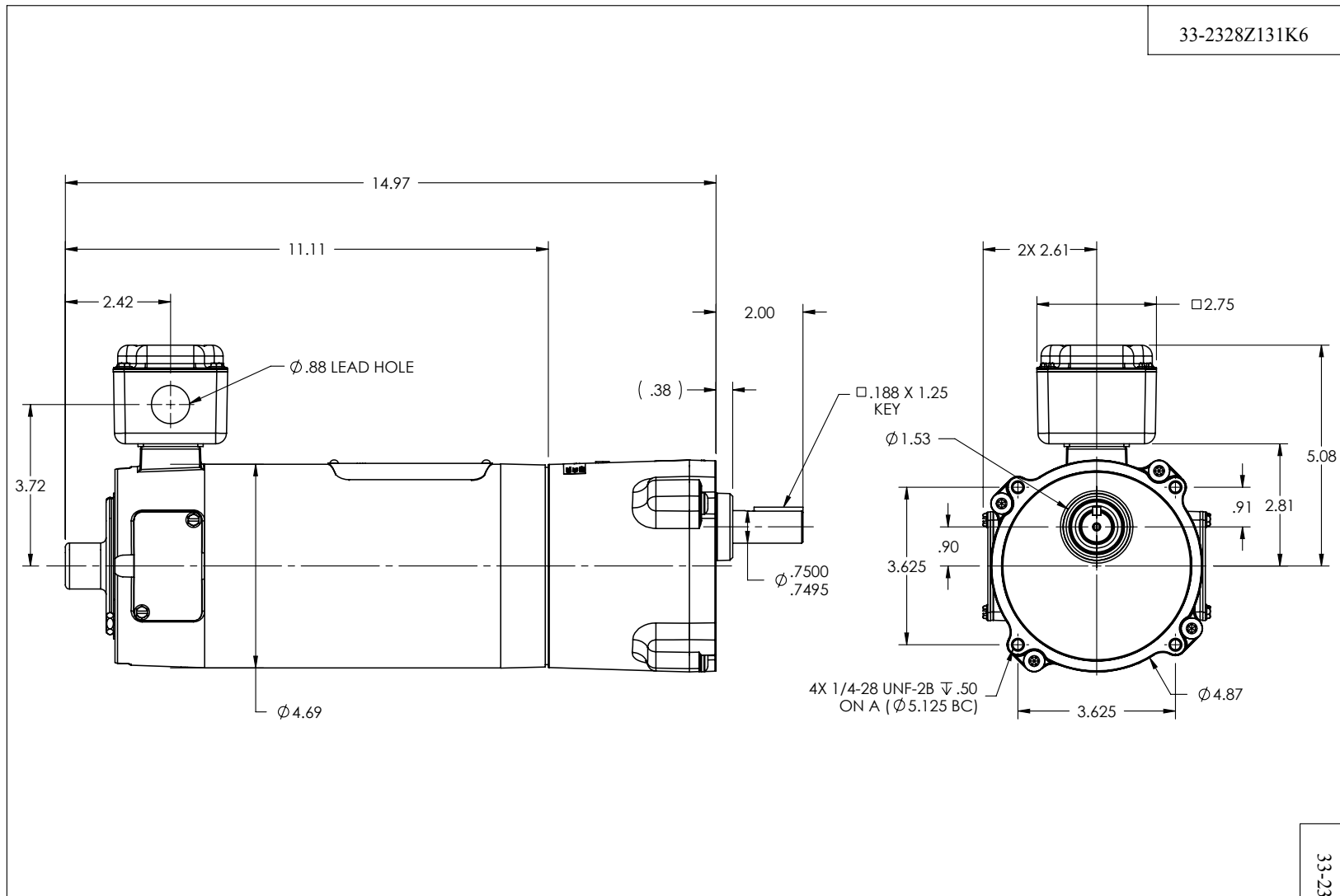
GPP3374

G.M. F27LA 180V DC 115 RPM CAT# GPP3374

Part Detail							
Revision:	D	Status:	PRD/A	Change #:		Proprietary:	No
Type:		Prod. Type:		Elec. Spec:		CD Diagram:	
Enclosure:	TENV	Mfg Plant:		Mech. Spec:		Layout:	
Frame:	PSLH	Mounting:		Poles:		Created Date:	01-09-2008
Base:		Rotation:		Insulation:		Eff. Date:	07-20-2012
Field Type:		Literature:		Elec. Diagram:		Replaced By:	
Nameplate NP1286A09							
SPEC.	33-2328Z131K6						
CAT.	GPP3374				SER.		
RATIO	15:1				TORQ/LI	164	

Parts List		
Part Number	Description	Quantity
33-2328Z131	.25HP,2500RPM,DC,42CZ,3327P,TENV,F1,N	1.000 EA
HG0080A01CG	HSG,PSL FLAT BACK LONG HOUSING	1.000 EA
HW3064E05	1/8 X 1/2 PIN DRIVE LOK TYPE H	1.000 EA
HW4600C70	SEAL .669 X 1.496 X .276, SINGLE LIP	1.000 EA
BH1163A02	SCE88 INA NEEDLE ROL SM21	1.000 EA
HA4021A05	1/16 NPSF-HX SOC PIPE PLUG TAPER DRY SEA	1.000 EA
HW1028A25	NYLON SEALING COLLAR,1/4"(NYLTITE)	4.000 EA
84XN2520J16	1/4-20 X 1 SOC HD CAP SCREW	4.000 EA
BGS01218	SHAFT,ASSY PSLH LONG INT1 2RED 3.0/5.0	1.000 EA
BGS01219	SHAFT,ASSY PSLH LONG OUTP 3RED 0.0/3.0	1.000 EA
CG0012A01CG	CAP, PSL GEAR HEAD	1.000 EA
RM1020A22	O-RING .070 X 4.527	1.000 EA
HW4600D39	SEAL, .750 X 1.250 X .250 SINGLE	1.000 EA
BH1163A03	SCE1212 INA NEEDLE ROLLER BBG1027	1.000 EA
60XM2520A12	SCREW,PAN TORX 1/4-20X.750 THREAD FORMIN	4.000 EA
BMH1910	KEY 3/16X3/16X1 1/8 AUTO X	1.000 EA
MJ1000B02	KLUB. GH6-460 GEAR OIL 1 LITER	0.010 GA
NP1286A09	NP,GR AD NONE H	1.000 EA
LB5040	INSTRUCTION TAG, AC & DC	1.000 EA
LB1171	LABEL CARTON 6X6 ON LINE BLANK ROLLS	1.000 EA
ME4000	.375-.75" DIA.#SW-04 WOVEN SHAFT PROTECT	0.125 FT

Accessories		
Part Number	Description	Multiplier
LB75	BASE, L BRACKET 34 FRAME PSL KIT GRAY	A8
BC139	.25HP-230V/SCR CNTL,AC,HP RES REQ.	E9
BC140	CS2934A,120/240VAC .5/1-HP SCR CTL,NEMA	E9
BC140-FBR	W/FOR BRAKE REV SWITCH	E9
BR0101	PLUG IN RESISTOR	E9



33-2328Z131K6

CUSTOMER IS RESPONSIBLE FOR DETERMINING THAT BALDOR'S PRODUCT WILL PERFORM SUITABLY IN THE INTENDED APPLICATION

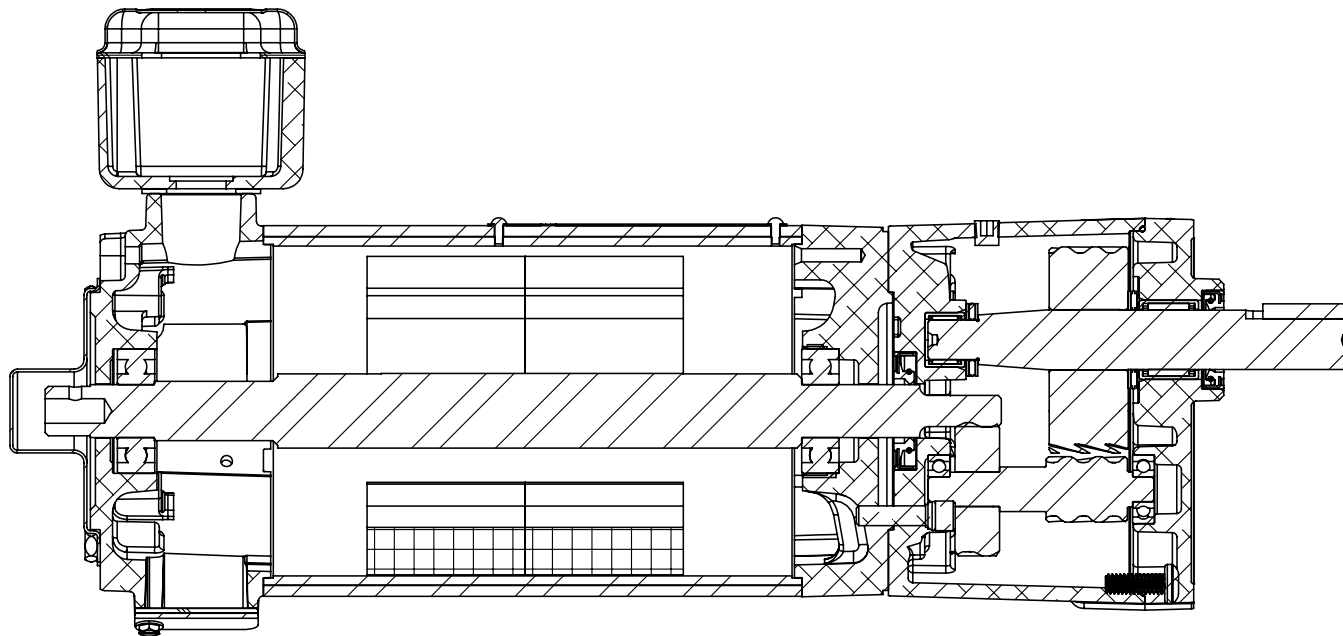
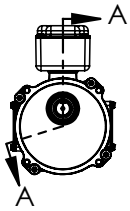
REV. DESC: CHG LEAD HOLE TO .88 DIA.			
REV: A	VERSION: 01	REVISED: 02:52:50 12/26/2012	TDR: 000000779008
MODEL NO. 33-2328Z131K6		REF:	
BY: CKPHIW0			

BALDOR

LY,33DC PSLH RSB TENV 2.000 0.750 KEY

33-2328Z131K6

33-2328Z131K6



SECTION A-A

CUSTOMER IS RESPONSIBLE FOR DETERMINING THAT BALDOR'S PRODUCT WILL PERFORM SUITABLY IN THE INTENDED APPLICATION

REV. DESC: CHG LEAD HOLE TO .88 DIA.

REV: A VERSION: 01 REVISED: 02:52:50 12/26/2012 TDR: 000000779008

33-2328Z131K6

MODEL NO. 33-2328Z131K6
BY: CKPHIW0

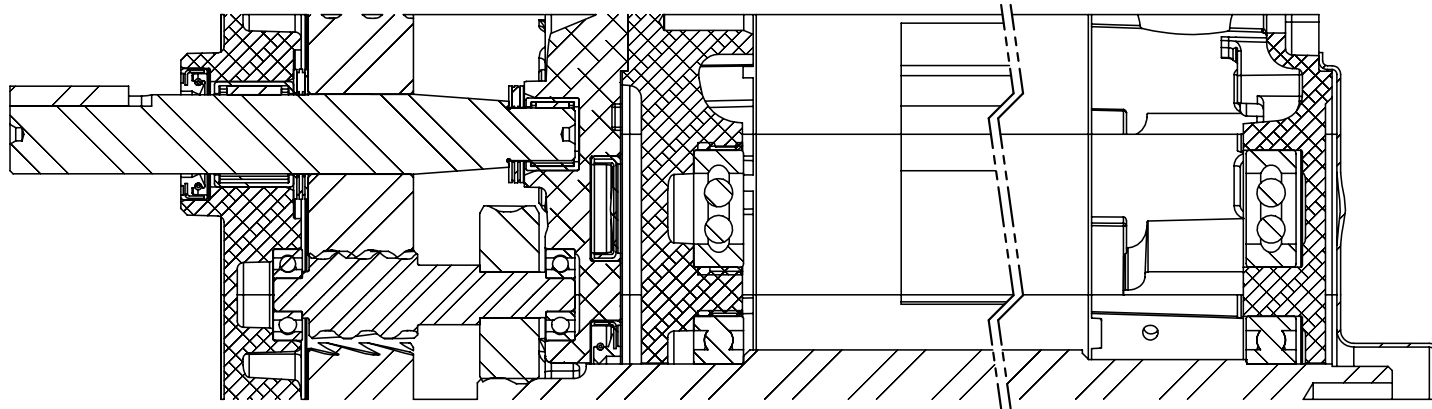
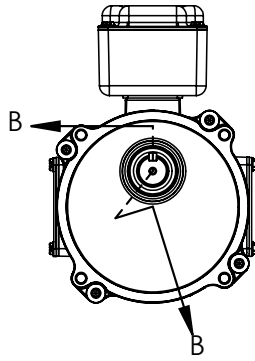
REF:

BALDOR

LY,33DC PSLH RSB TENV 2.000 0.750 KEY

33-2328Z131K6

33-2328Z131K6



SECTION B-B

CUSTOMER IS RESPONSIBLE FOR DETERMINING THAT BALDOR'S PRODUCT WILL PERFORM SUITABLY IN THE INTENDED APPLICATION

REV. DESC: CHG LEAD HOLE TO .88 DIA.

REV: A VERSION: 01 REVISED: 02:52:50 12/26/2012 TDR: 000000779008

33-2328Z131K6

MODEL NO. 33-2328Z131K6

BY: CKPHIWO

REF:

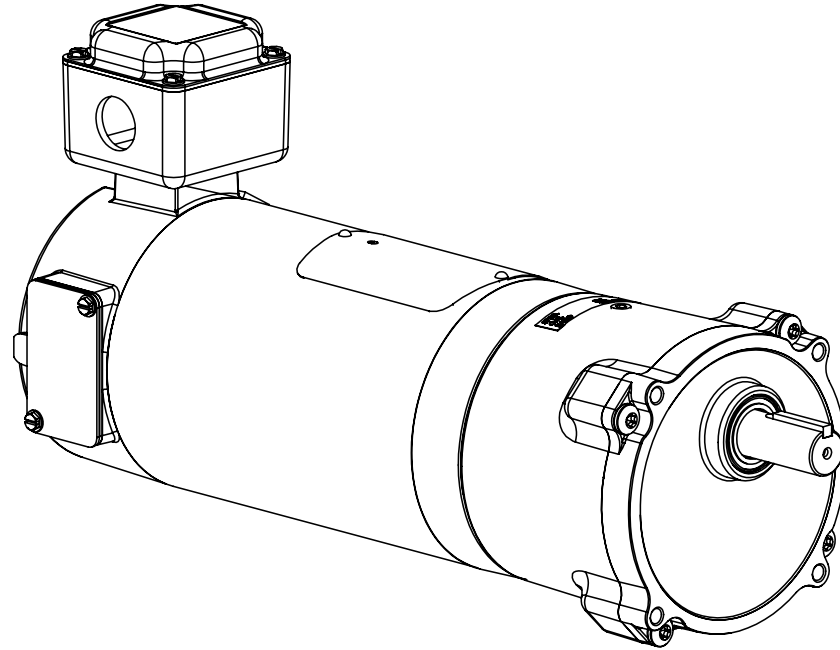
BALDOR

LY,33DC PSLH RSB TENV 2.000 0.750 KEY

33-2328Z131K6

ITEM NO.	PART NUMBER	QTY.
1	33-2328Z131	1
2	HG0080A01	1
3	HW4600C70	1
4	HW3064E05	1
5	BH1163A02	1
6	HA4021A05	1
7	HW1028A25	4
8	84XN2520J16	4
9	bgs01218	1
10	BGS01219	1
11	CG0012A01	1
12	BH1163A03	1
13	HW4600D39	1
14	RM1020A22	1
15	60XM2520A12	4
16	BMH1910	1
17	NP1286A09	1

33-2328Z131K6



CUSTOMER IS RESPONSIBLE FOR DETERMINING THAT BALDOR'S PRODUCT WILL PERFORM SUITABLY IN THE INTENDED APPLICATION

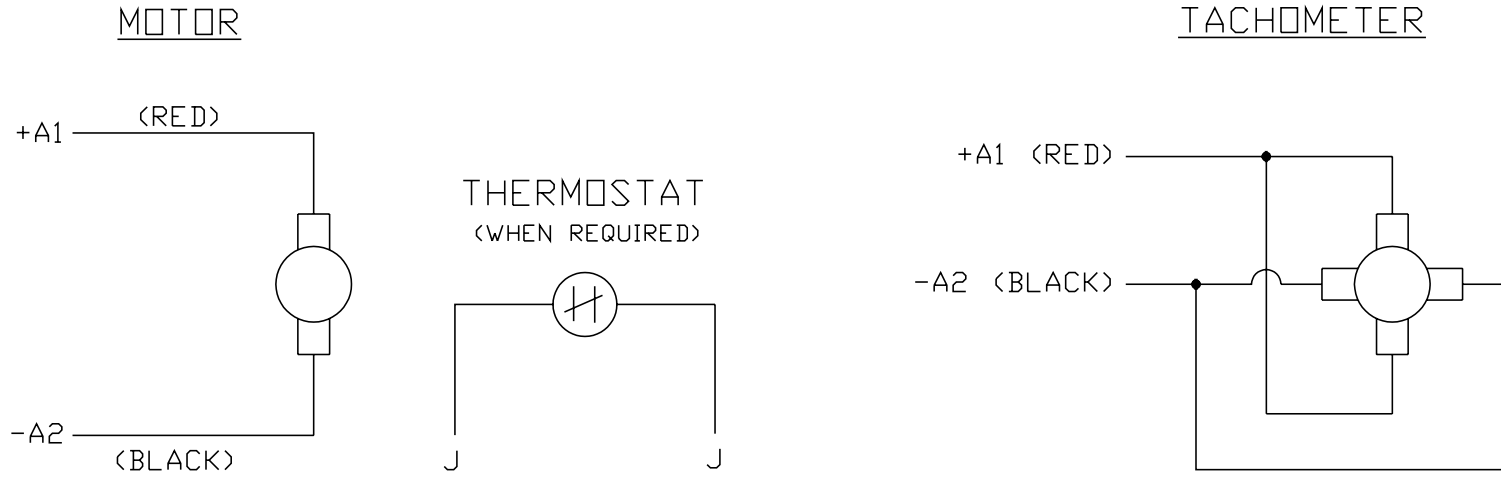
REV. DESC: CHG LEAD HOLE TO .88 DIA.			
REV: A	VERSION: 01	REVISED: 02:52:50 12/26/2012	TDR: 000000779008
33-2328Z131K6		MODEL NO. 33-2328Z131K6	REF:
		BY: CKPHIW0	

BALDOR

LY,33DC PSLH RSB TENV 2.000 0.750 KEY

33-2328Z131K6

CD0194



NOTES:

1. CCW ROTATION AS SHOWN FACING COMMUTATOR END. TO REVERSE MOTOR ROTATION OR TACHOMETER OUTPUT POLARITY INTERCHANGE LEADS A1(RED) & A2(BLACK)
2. LEAD COLORS FOR REFERENCE ONLY & NOT SPECIFIED BY THIS DRAWING. LEAD COLORS SPECIFIED BY LAYOUT DRAWING & BILL OF MATERIAL ONLY.

MATL: -			
REV: E	ADDED NOTE "LEAD COLORS FOR REFERENCE ONLY &..."		
761000	SCALE: -	BY: CK	REVISED: 07/28/95
	FILE: AAA00004503		TDR: 0078737

BALDOR ELECTRIC Co.

CD TYPE P DC PERMANENT MAGNET MOTORS AND TACHOMETERS

CD0194