

BALDOR® • RELIANCE

Product Information Packet

ELECTRIC MOTOR WHOLESAL.COM

GPP3388

G.M. F27LF 180V DC 500 RPM CAT# GPP3388

Part Detail							
Revision:	B	Status:	PRD/A	Change #:		Proprietary:	No
Type:		Prod. Type:		Elec. Spec:		CD Diagram:	
Enclosure:	TENV	Mfg Plant:		Mech. Spec:		Layout:	
Frame:	PSLH	Mounting:		Poles:		Created Date:	05-07-2009
Base:		Rotation:		Insulation:		Eff. Date:	01-24-2011
Field Type:		Literature:		Elec. Diagram:		Replaced By:	

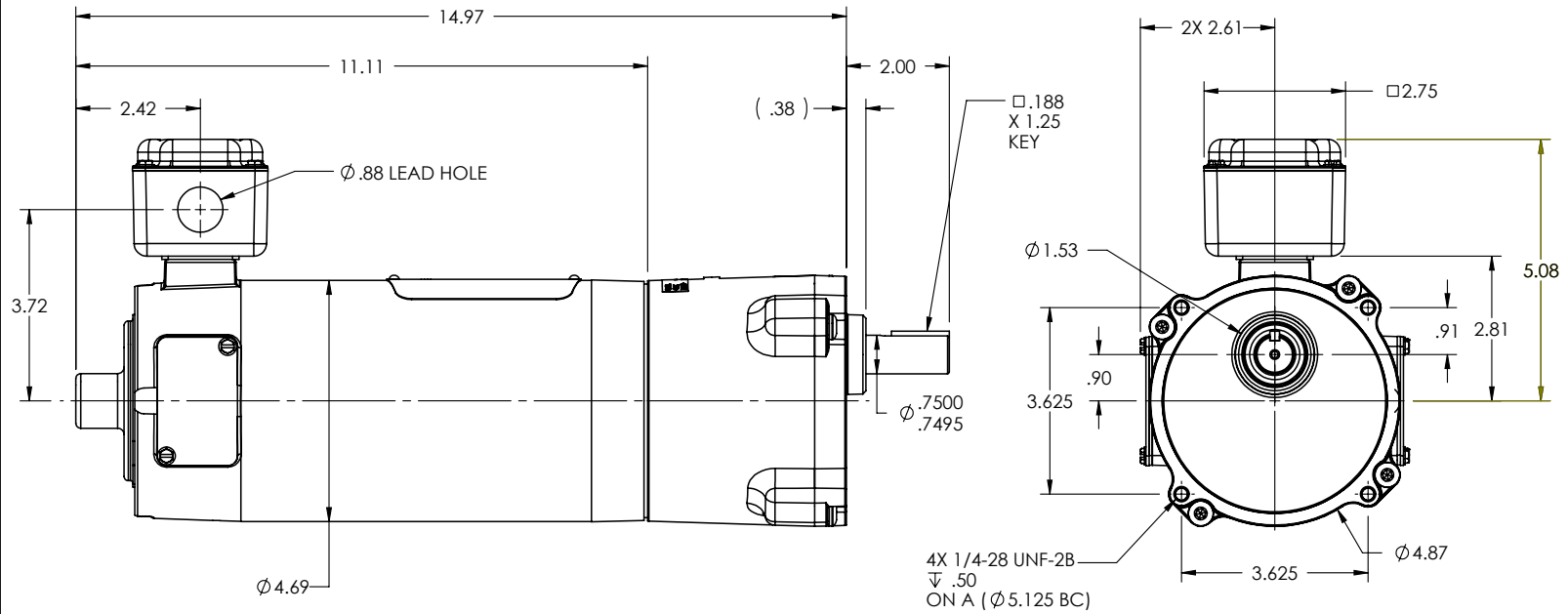
Nameplate NP1286A09

SPEC.	33-2328Z160K6		
CAT.	GPP3388	SER.	
RATIO	5:1	TORQ/LI	57

Parts List		
Part Number	Description	Quantity
33-2328Z160	.5HP,2500RPM,DC,42CZ,3327P,TENV,F1,N	1.000 EA
HG0080A01CG	HSG,PSL FLAT BACK LONG HOUSING	1.000 EA
HW4600C70	SEAL .669 X 1.496 X .276, SINGLE LIP	1.000 EA
HW3064E05	1/8 X 1/2 PIN DRIVE LOK TYPE H	1.000 EA
BH1163A02	SCE88 INA NEEDLE ROL SM21	1.000 EA
HA4021A05	1/16 NPSF-HX SOC PIPE PLUG TAPER DRY SEA	1.000 EA
84XN2520J16	1/4-20 X 1 SOC HD CAP SCREW	4.000 EA
HW1028A25	NYLON SEALING COLLAR,1/4"(NYLTITE)	4.000 EA
BGS01214	SHAFT,ASSY PSLH LONG INT1 2RED 1.0/5.0	1.000 EA
BGS01215	SHAFT,ASSY PSLH LONG OUTP 2RED 0.0/1.0	1.000 EA
CG0012A01CG	CAP, PSL GEAR HEAD	1.000 EA
RM1020A22	O-RING .070 X 4.527	1.000 EA
BH1163A03	SCE1212 INA NEEDLE ROLLER BBG1027	1.000 EA
HW4600D39	SEAL, .750 X 1.250 X .250 SINGLE	1.000 EA
60XM2520A12	SCREW,PAN TORX 1/4-20X.750 THREAD FORMIN	4.000 EA
MJ1000B02	KLUB. GH6-460 GEAR OIL 1 LITER	0.010 GA
BMH1910	KEY 3/16X3/16X1 1/8 AUTO X	1.000 EA
ME4000	.375-.75" DIA.#SW-04 WOVEN SHAFT PROTECT	0.090 FT
NP1286A09	NP,GR AD NONE H	1.000 EA
LB5040	INSTRUCTION TAG, AC & DC	1.000 EA
LB1171	LABEL CARTON 6X6 ON LINE BLANK ROLLS	1.000 EA

Accessories		
Part Number	Description	Multiplier
LB75	BASE, L BRACKET 34 FRAME PSL KIT GRAY	A8
BC139	.25HP-230V/SCR CNTL,AC,HP RES REQ.	E9
BC140	CS2934A,120/240VAC .5/1-HP SCR CTL,NEMA	E9
BC140-FBR	W/FOR BRAKE REV SWITCH	E9
BR0050	PLUG IN RESISTOR	E9

33-2328Z160K6



REV. DESC: REMOVE NPT FROM LEAD EXIT CALLOUT.

REV: A | VERSION: 01 | REVISED: 02:10:46 07/07/2010 | TDR: 000000548633

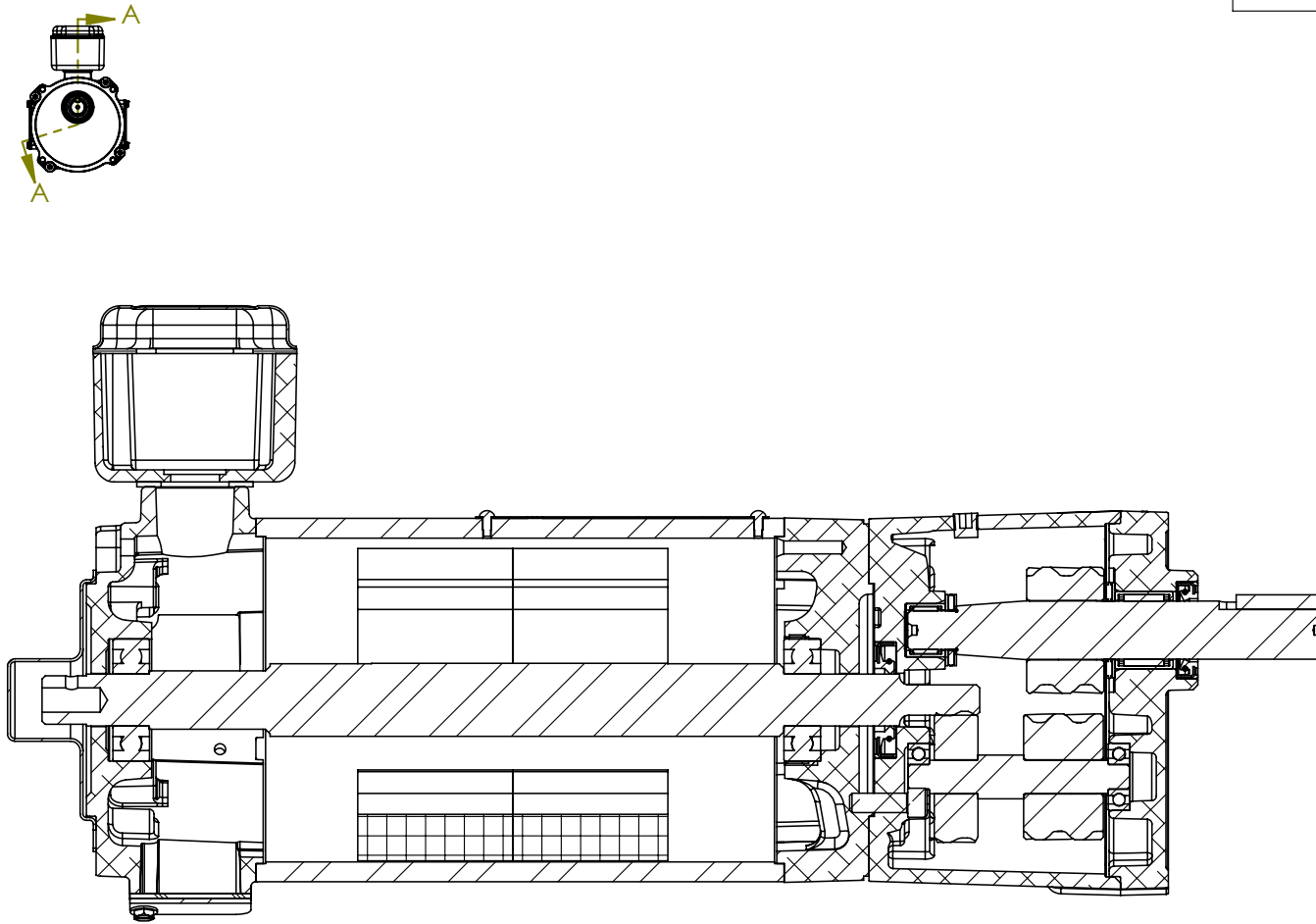
33-2328Z160K6 | MODEL NO. 33-2328 | REF: | BY: CKMARD0

BALDOR ELECTRIC Co.

LY,33DC PSLH RSB TENV 2.000 0.750 KEY

33-2328Z160K6

33-2328Z160K6



SECTION A-A
SCALE 1 : 2

REV. DESC: REMOVE NPT FROM LEAD EXIT CALLOUT.

REV: A	VERSION: 01	REVISED: 02:10:46 07/07/2010	TDR: 000000548633
--------	-------------	------------------------------	-------------------

33-2328Z160K6

MODEL NO. 33-2328
BY: CKMARD0

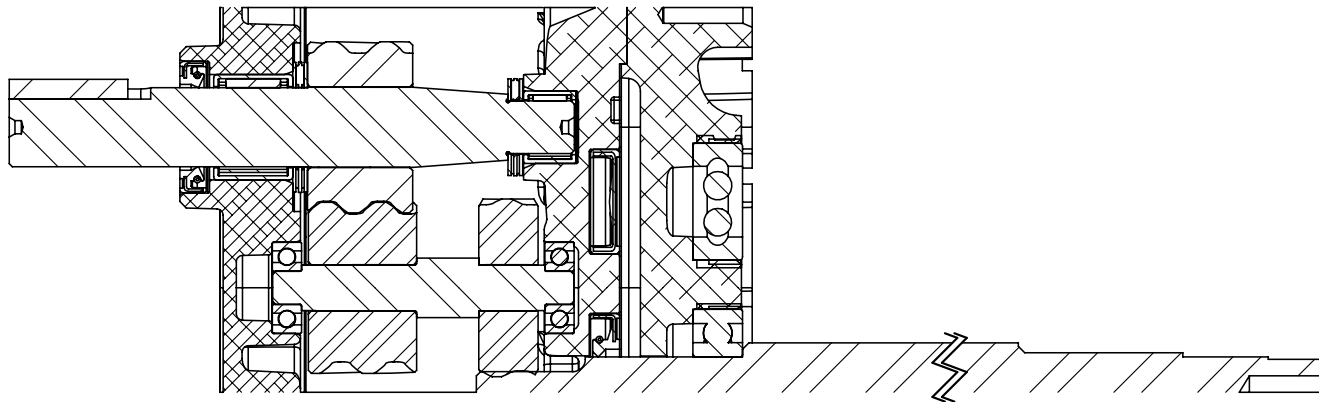
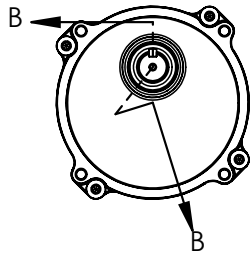
REF:

BALDOR ELECTRIC Co.

LY,33DC PSLH RSB TENV 2.000 0.750 KEY

33-2328Z160K6

33-2328Z160K6



SECTION B-B

33-2328Z160K6

REV. DESC: REMOVE NPT FROM LEAD EXIT CALLOUT.

REV: A	VERSION: 01	REVISED: 02:10:46 07/07/2010	TDR: 000000548633
--------	-------------	------------------------------	-------------------

33-2328Z160K6

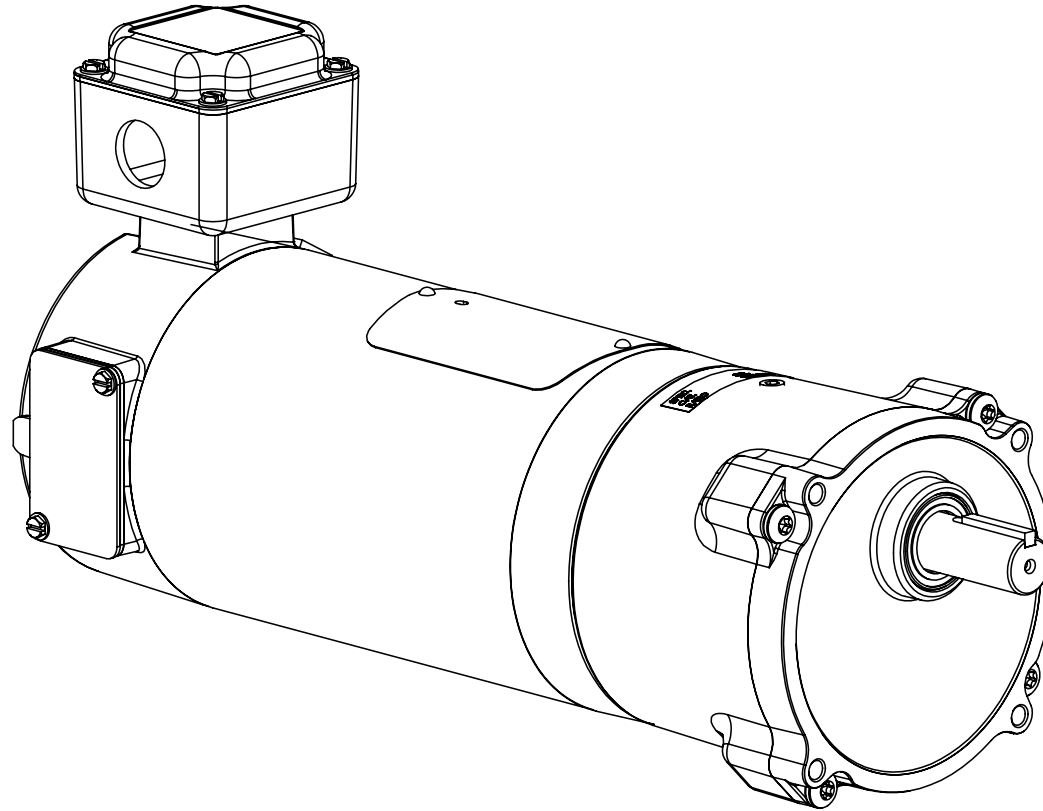
MODEL NO. 33-2328
BY: CKMARD0

REF:

BALDOR • DODGE • RELIANCE

LY,33DC PSLH RSB TENV 2.000 0.750 KEY

ITEM NO.	PART NUMBER	QTY.
1	HG0080A01	1
2	HW4600C70	1
3	HW3064E05	1
4	BH1163A02	1
5	HA4021A05	1
6	84XN2520J12	4
7	BGS01214	1
	BSG5622	1
	GE0079B44	1
	BGE5619	1
	BG6608C03	2
8	BGS01215	1
	BGE5775	1
	SH0106A38	1
	BH1166A02	1
	BH1166A01	1
	BH1108A02	2
	BH1108A04	2
9	CG0012A01	1
10	BH1163A03	1
11	HW4600D39	1
12	60XM2520A12	4
13	BMH1910	1
14	NP1286A09	1
15	327	1
	33SB3003A03	1
	33SB9003-01	1
	PM1014A01	4
	33EP3303A	1
	33EP3101A04	1
	33SH0479C01	1
	SKF - 6203 - 10.DE.NC.10_68	2
	33CB4501A01	2
	33GS1005A01	2
	HA6887	1
	33GS1006A01	1
	33CB3001	1
	34GS1001	1
	34CB4512	1
	51XW0832A07	8
	NP0000	1
	85XU0407A04	2



33-2328Z160K6

33-2328Z160K6

REV. DESC: REMOVE NPT FROM LEAD EXIT CALLOUT.

REV: A VERSION: 01 REVISED: 02:10:46 07/07/2010 TDR: 000000548633

33-2328Z160K6

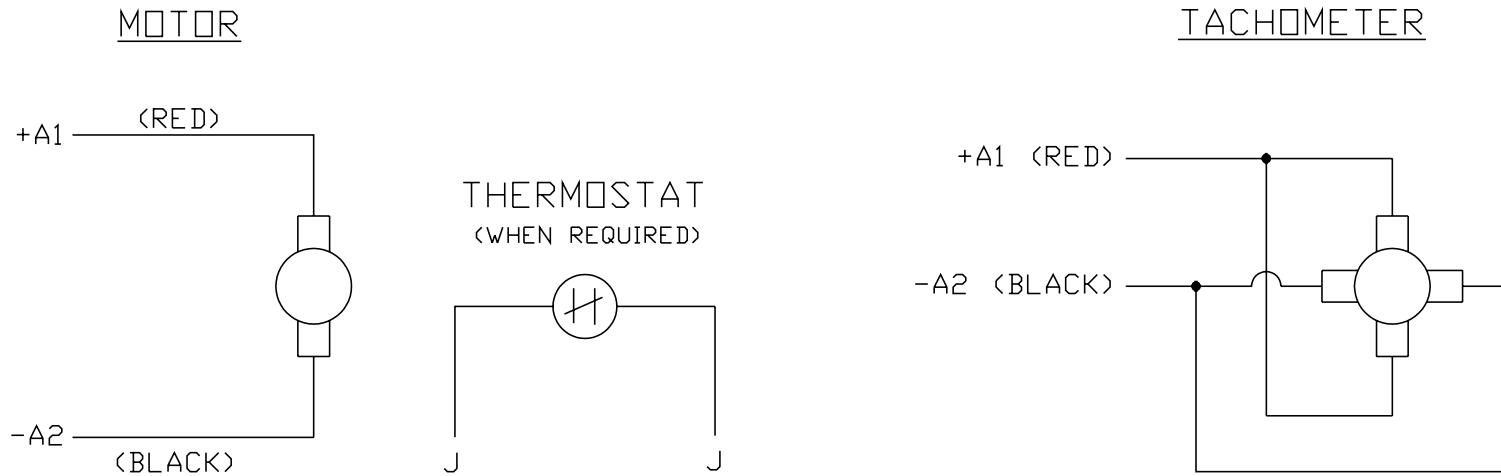
MODEL NO. 33-2328
BY: CKMARD0

REF:

BALDOR ELECTRIC Co.

LY,33DC PSLH RSB TENV 2.000 0.750 KEY

CD0194



NOTES:

1. CCW ROTATION AS SHOWN FACING COMMUTATOR END. TO REVERSE MOTOR ROTATION OR TACHOMETER OUTPUT POLARITY INTERCHANGE LEADS A1(RED) & A2(BLACK)
2. LEAD COLORS FOR REFERENCE ONLY & NOT SPECIFIED BY THIS DRAWING. LEAD COLORS SPECIFIED BY LAYOUT DRAWING & BILL OF MATERIAL ONLY.

MATL: -			
REV:	E	ADDED NOTE "LEAD COLORS FOR REFERENCE ONLY &..."	
#61000		SCALE: -	BY: CK
		REVISED: 07/28/95	
		FILE: AAA00004503	TDR: 0078737

BALDOR ELECTRIC Co.

CD TYPE P DC PERMANENT MAGNET MOTORS AND TACHOMETERS

CD0194