

BALDOR® • *RELIANCE*

Product Information Packet

ELECTRIC MOTOR WHOLESAL.COM

GPP7458

G.M. D24KA 90VDC 180:1 14 RPM GPP7458

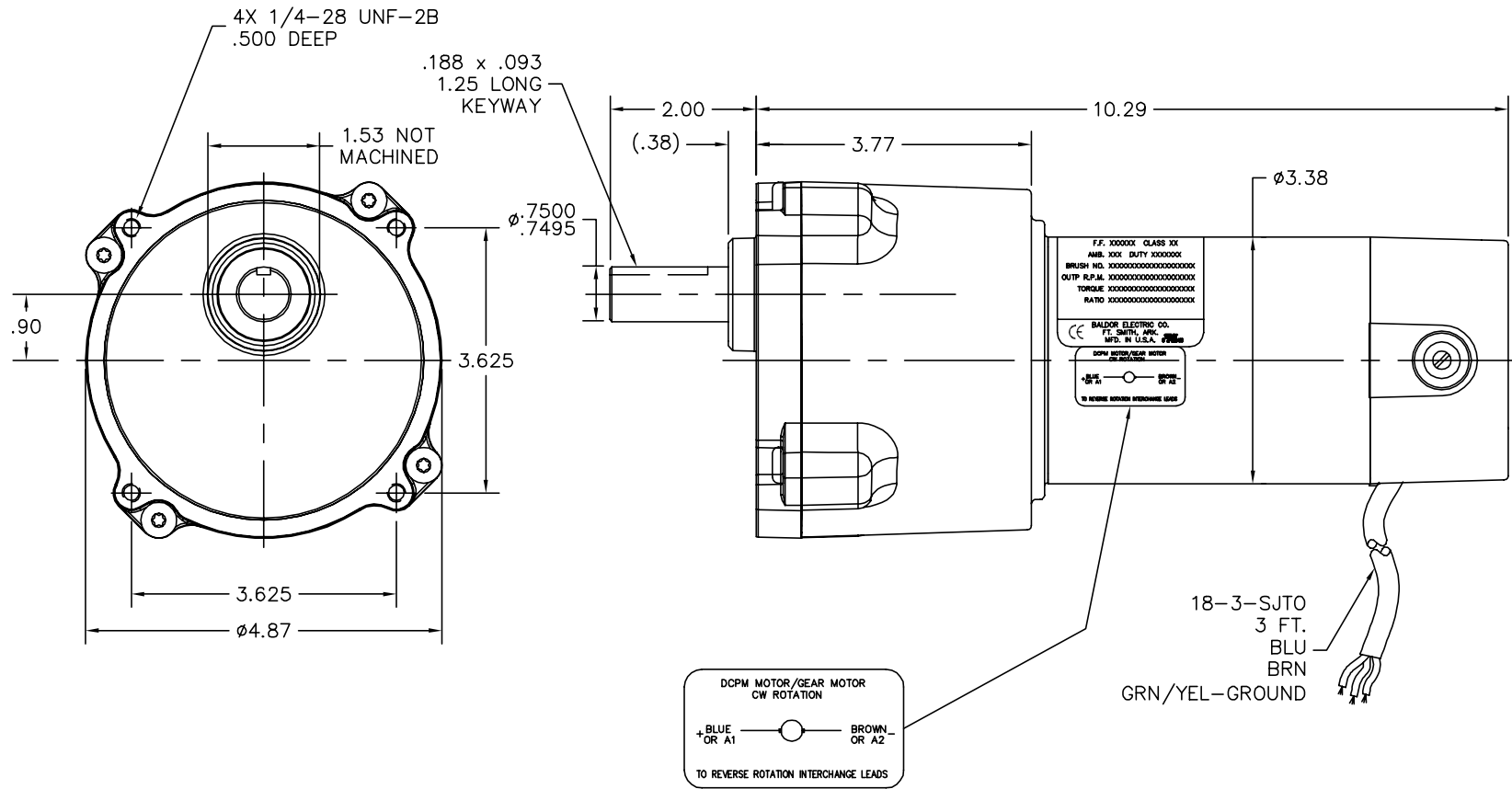
Part Detail								
Revision:	S	Status:	PRD/A	Change #:		Proprietary:	No	
Type:	DC	Prod. Type:		Elec. Spec:	24WGZ017	CD Diagram:		
Enclosure:	TENV	Mfg Plant:		Mech. Spec:		Layout:		
Frame:	PSL	Mounting:		Poles:	///	Created Date:	03-07-2006	
Base:		Rotation:	R	Insulation:	F	Eff. Date:	07-19-2012	
Field Type:		Literature:		Elec. Diagram:		Replaced By:		
Nameplate NP1220A08								
CAT.NO.	GPP7458							
SER.NO								
SPEC.	24A614Z017G11							
FRAME	PSL					TYPE	2424P	
HP	.25	TE						
VOLTS	90							
AMP	1.2							
F.F.	1.3				CLASS	F		
AMB.	40				DUTY	CONT		
BRUSHES	2/BP5052BP01							
R.P.M.	14							
TORQ/IN LB	365							
RATIO	180:1							
APRV-CE					APRV-CUL			

Parts List		
Part Number	Description	Quantity
SA139849	SA 24A614Z017G11	1.000 EA
AA011948	AA 24A614Z017G11	1.000 EA
LC0899A07	CONNECTION LABEL, DCPM CW ROTATION CE CO	1.000 EA
BP5052BP01SP	BRUSH, GRADE R884 NATIONAL CARBON (FOR 1	1.000 EA
HG0076A02AL	HSG,PSL EP 24DC FRAME LONG HOUSING	1.000 EA
HW4600D28	SEAL,10X20X4MM TCM #03907815PSCW	1.000 EA
BMH1716	WASHER,PREC 1.175"X.751"X.02"	1.000 EA
HW5002A45	RETAINING RING,WALDES TRUARC N5002-118	1.000 EA
BH1163A02	SCE88 INA NEEDLE ROL SM21	1.000 EA
HA4021A05	1/16 NPSF-HX SOC PIPE PLUG TAPER DRY SEA	1.000 EA
24EP3102A01L	EP,24DC 0DE CL 0.63P4	1.000 EA
HW5109A13	WASHER, WAVE SPRING FOR 26MM BORE SMALLE	1.000 EA
BP4529SP	BRUSH TUBE HOLDER:BBR1097	1.000 EA
BP4530SP	BRUSH TUBE CAP AE-57	1.000 EA
80XN1032A04	10-32 X 1/4 SET SCREW	2.000 EA
LD0110A04	ASM,CABLE 18-3 SJTO BR,BL,G/Y, 40"	1.000 EA
55XT0632G03	6-32 X 0.187 RD HD PHILLIPS, SERRATED	1.000 EA
WD4102A01	STRN RELIEF HEYCO #1214/M.P. 23MPO6L10	1.000 EA
HA3100A31	THRUBOLT 10-32 X 6.500	2.000 EA
HW1004A10	WASHER,LOCK,#10 INT. TOOTH	2.000 EA
BGS00976	SHAFT,ASSY PSL LONG INT1 4RED 4.0/5.0	1.000 EA
BGS00113	SHAFT,ASSY PSL LONG INT2 4RED 3.0/4.0	1.000 EA
BGS00114	SHAFT,ASSY PSLH LONG INT3 4RED 3.0/3.0	1.000 EA
BGS00084	SHAFT,ASSY PSL LONG OUTP 4RED 0.0/3.0	1.000 EA

Parts List (continued)		
Part Number	Description	Quantity
CG0012A01AL	CAP, PSL GEAR HEAD	1.000 EA
BH1163A03	SCE1212 INA NEEDLE ROLLER BBG1027	1.000 EA
RM1020A22	O-RING .070 X 4.527	1.000 EA
HW4600D39	SEAL, .750 X 1.250 X .250 SINGLE	1.000 EA
60XM2520A12	SCREW,PAN TORX 1/4-20X.750 THREAD FORMIN	4.000 EA
MJ1000B02	KLUB. GH6-460 GEAR OIL 1 LITER	0.112 GA
BMH1910	KEY 3/16X3/16X1 1/8 AUTO X	1.000 EA
NP1220A08	NP,DC STD AD NONE V GEAR MOTOR CE CUL	1.000 EA
LB5040	INSTRUCTION TAG, AC & DC	1.000 EA
CPA1000	PACKING GROUP STD. SINGLE	1.000 EA
LB1171	LABEL CARTON 6X6 ON LINE BLANK ROLLS	1.000 EA
MG2000A14	RUST VETO 342 RUST INHIBITOR	0.001 GA
ME4000	.375-.75" DIA.#SW-04 WOVEN SHAFT PROTECT	0.125 FT

Accessories		
Part Number	Description	Multiplier
LB74	"L" BRACKET FOR PSL/PSLH UNDER 20 LBS.	A8
BC130	FRAC DC ANALOG,115AC,50/60HZ,3A,1	E9
BC138	KBWM-120 120VAC .25-HP SCR CTL, N	E9
BC140	CS2934A,120/240VAC .5/1-HP SCR CTL,NEMA	E9
BC140-FBR	W/FOR BRAKE REV SWITCH	E9
BR0050	PLUG IN RESISTOR	E9

24A614Z017G11



CUSTOMER IS RESPONSIBLE FOR DETERMINING THAT MOTOR PERFORMANCE IS SUITABLE IN THE APPLICATION.

REV. DESC: UPDATE DIMS.

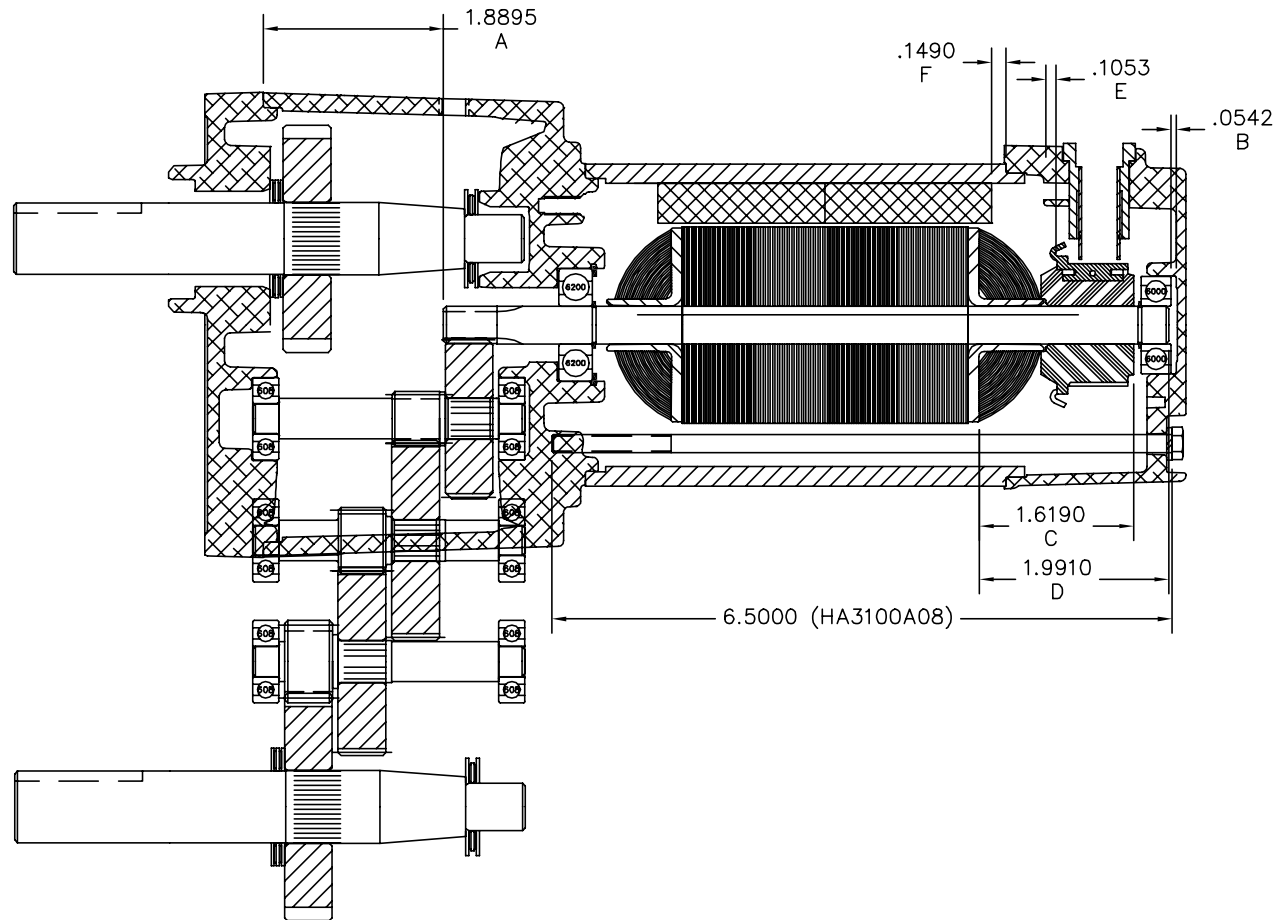
REV. LTR: A	VERSION: 01	TDR: 000000404419
	FILE: \CKA\00029\501	REVISED: 10:58:05 08/04/2006
	MTL: -	BY: CKGLEHO

BALDOR ELECTRIC Co.

LY,24DC PSL DOM TENV .750 X 2.00 EXT. 4X 1/4 MTG HOLES

24A614Z017G11

24A614Z017G11



CUSTOMER IS RESPONSIBLE FOR DETERMINING THAT MOTOR PERFORMANCE IS SUITABLE IN THE APPLICATION.

REV. DESC: UPDATE DIMS.

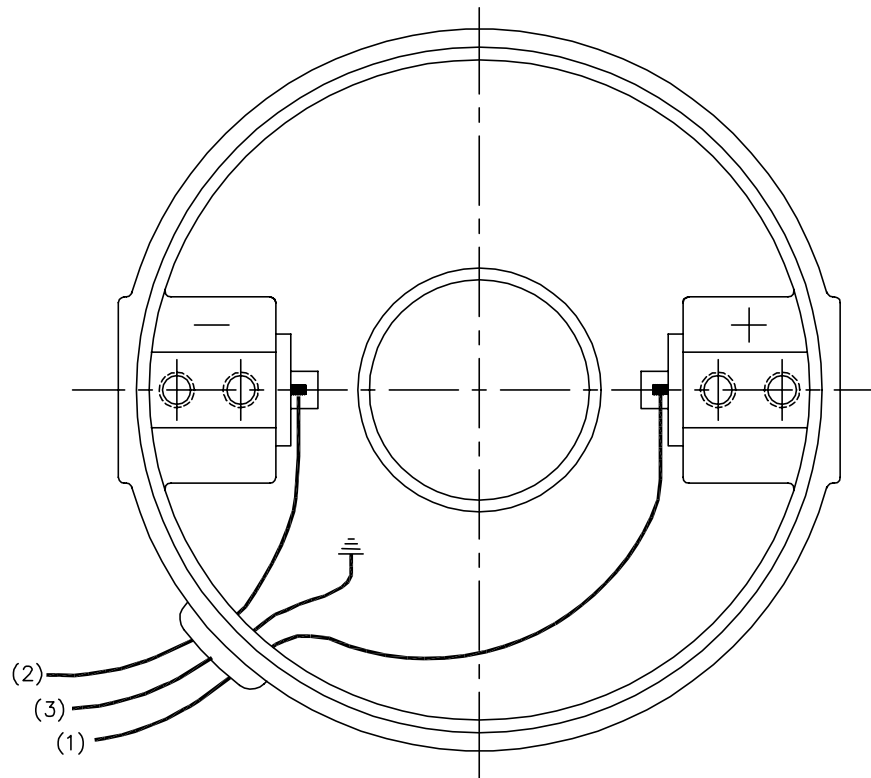
REV. LTR: A	VERSION: 01	TDR: 000000404419
	FILE: \CKA\00029\501	REVISED: 10:58:06 08/04/2006
	MTL: -	BY: CKGLEHO

BALDOR ELECTRIC Co.

LY,24DC PSL DOM TENV .750 X 2.00 EXT. 4X 1/4 MTG HOLES

24A614Z017G11

CD1899



(1) COLOR MAY BE
RED
WHT
BLU

(2) COLOR MAY BE
BLK
BRN

(3) COLOR WHEN REQ.
GRN
GRN/YEL

VIEWED FROM
DRIVE END

REV. DESC: NEW

REV. LTR: - BY: PAW REVISED: 09:06:34 09/16/2004 TDR: 341564

668100

FILE: CKA00025830

REF: CD1899

MTL: -

BALDOR ELECTRIC Co.

PM,2LD,REV,TANG,CK

CD1899