

BALDOR® • RELIANCE

Product Information Packet

ELECTRIC MOTOR WHOLESAL.COM

GPP7475

G.M. D24KA 180VDC 40:1 62 RPM GPP7475

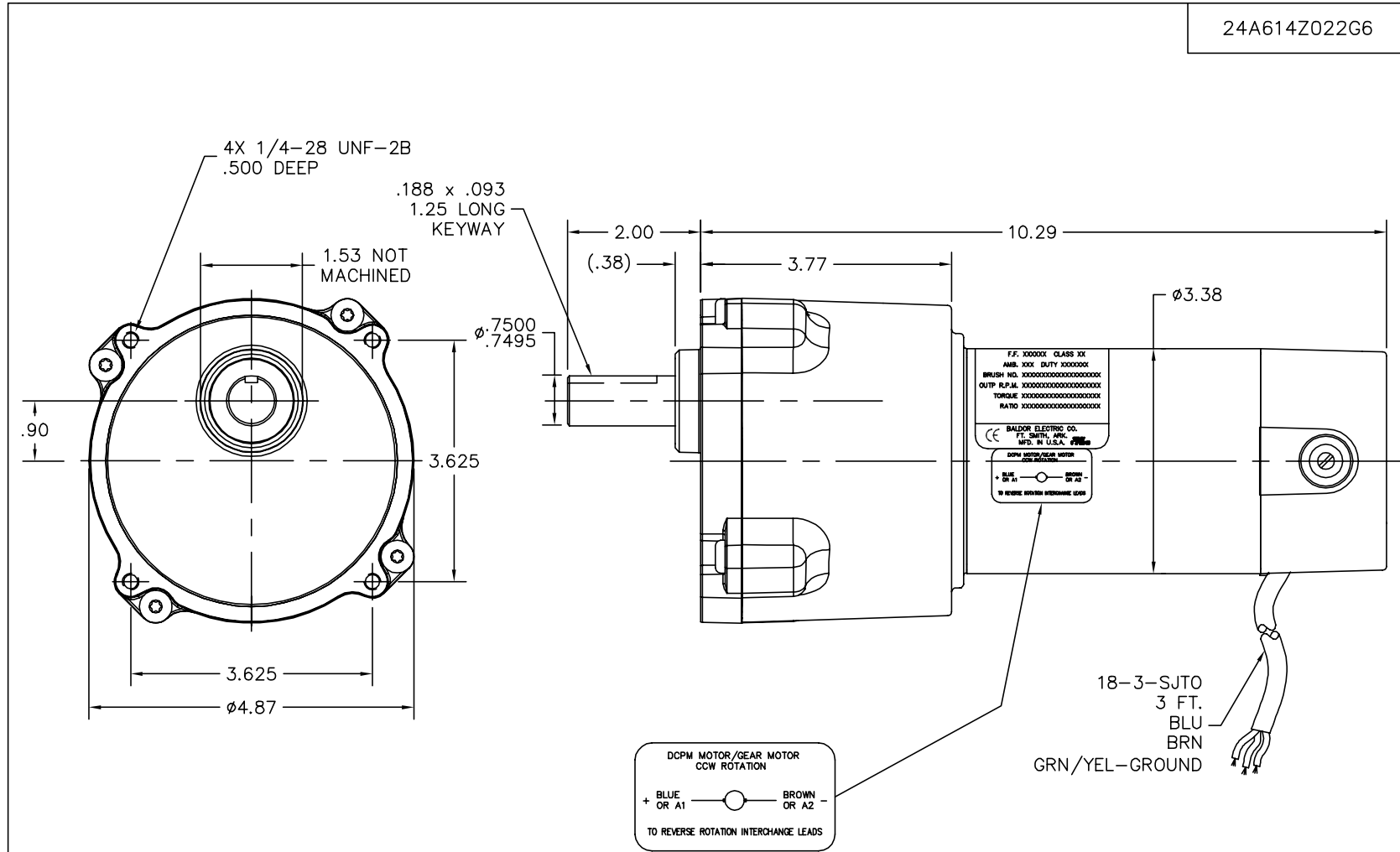
Part Detail							
Revision:	P	Status:	PRD/A	Change #:		Proprietary:	No
Type:	DC	Prod. Type:		Elec. Spec:	24WGZ022	CD Diagram:	
Enclosure:	TENV	Mfg Plant:		Mech. Spec:		Layout:	
Frame:	PSL	Mounting:		Poles:	///	Created Date:	03-13-2006
Base:		Rotation:	R	Insulation:	F	Eff. Date:	07-19-2012
Field Type:		Literature:		Elec. Diagram:		Replaced By:	

Nameplate NP1220A08			
CAT.NO.	GPP7475		
SER.NO			
SPEC.	24A614Z022G6		
FRAME	PSL	TYPE	2424P
HP	.25	TE	
VOLTS	180		
AMP	1.25		
F.F.	1.45	CLASS	F
AMB.	40	DUTY	CONT
BRUSHES	2/BP5052BP01		
R.P.M.	62		
TORQ/IN LB	200		
RATIO	40:1		
APRV-CE		APRV-CUL	

Parts List		
Part Number	Description	Quantity
SA140409	SA 24A614Z022G6	1.000 EA
AA011982	AA 24A614Z022G6	1.000 EA
LC0899A08	CONNECTION LABEL, DCPM CCW ROTATION CE C	1.000 EA
BP5052BP01SP	BRUSH, GRADE R884 NATIONAL CARBON (FOR 1	1.000 EA
HG0076A02BL	HSG,PSL EP 24DC FRAME LONG HOUSING	1.000 EA
HW4600D28	SEAL,10X20X4MM TCM #03907815PSCW	1.000 EA
BMH1716	WASHER,PREC 1.175"X.751"X.02"	1.000 EA
HW5002A45	RETAINING RING,WALDES TRUARC N5002-118	1.000 EA
BH1163A02	SCE88 INA NEEDLE ROL SM21	1.000 EA
HA4021A05	1/16 NPSF-HX SOC PIPE PLUG TAPER DRY SEA	1.000 EA
24EP3102A01L	EP,24DC 0DE CL 0.63P4	1.000 EA
HW5109A13	WASHER, WAVE SPRING FOR 26MM BORE SMALLE	1.000 EA
BP4529SP	BRUSH TUBE HOLDER:BBR1097	1.000 EA
BP4530SP	BRUSH TUBE CAP AE-57	1.000 EA
80XN1032A04	10-32 X 1/4 SET SCREW	2.000 EA
LD0110A04	ASM,CABLE 18-3 SJTO BR,BL,G/Y, 40"	1.000 EA
55XT0632G03	6-32 X 0.187 RD HD PHILLIPS, SERRATED	1.000 EA
WD4102A01	STRN RELIEF HEYCO #1214/M.P. 23MPO6L10	1.000 EA
HA3100A31	THRUBOLT 10-32 X 6.500	2.000 EA
HW1004A10	WASHER,LOCK,#10 INT. TOOTH	2.000 EA
BGS00976	SHAFT,ASSY PSL LONG INT1 4RED 4.0/5.0	1.000 EA
BGS00079	SHAFT,ASSY PSL LONG INT2 3RED 2.0/4.0	1.000 EA
BGS00080	SHAFT,ASSY PSL LONG OUTP 2RED 0.0/2.0	1.000 EA
CG0012A01BL	CAP, PSL GEAR HEAD	1.000 EA

Parts List (continued)		
Part Number	Description	Quantity
BH1163A03	SCE1212 INA NEEDLE ROLLER BBG1027	1.000 EA
RM1020A22	O-RING .070 X 4.527	1.000 EA
HW4600D39	SEAL, .750 X 1.250 X .250 SINGLE	1.000 EA
60XM2520A12	SCREW,PAN TORX 1/4-20X.750 THREAD FORMIN	4.000 EA
MJ1000B02	KLUB. GH6-460 GEAR OIL 1 LITER	0.112 GA
BMH1910	KEY 3/16X3/16X1 1/8 AUTO X	1.000 EA
NP1220A08	NP,DC STD AD NONE V GEAR MOTOR CE CUL	1.000 EA
LB5040	INSTRUCTION TAG, AC & DC	1.000 EA
CPA1000	PACKING GROUP STD. SINGLE	1.000 EA
LB1171	LABEL CARTON 6X6 ON LINE BLANK ROLLS	1.000 EA
MG2000A14	RUST VETO 342 RUST INHIBITOR	0.001 GA
ME4000	.375-.75" DIA.#SW-04 WOVEN SHAFT PROTECT	0.125 FT

Accessories		
Part Number	Description	Multiplier
LB74	"L" BRACKET FOR PSL/PSLH UNDER 20 LBS.	A8
BC139	.25HP-230V/SCR CNTL,AC,HP RES REQ.	E9
BC140	CS2934A,120/240VAC .5/1-HP SCR CTL,NEMA	E9
BC140-FBR	W/FOR BRAKE REV SWITCH	E9
BR0100	PLUG IN RESISTOR	E9



24A614Z022G6

24A614Z022G6

CUSTOMER IS RESPONSIBLE FOR DETERMINING THAT MOTOR PERFORMANCE IS SUITABLE IN THE APPLICATION.

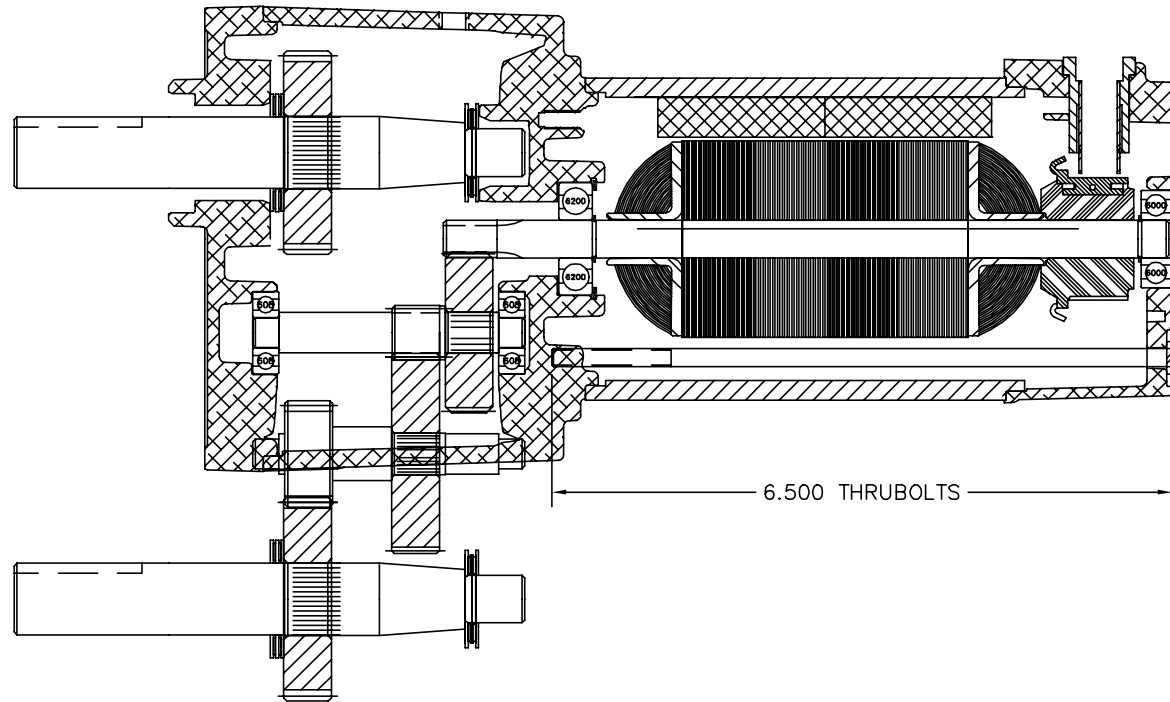
REV. DESC: UPDATE DIMS.

REV. LTR: A	VERSION: 01	TDR: 000000404419
24A614Z022G6	FILE: \CKA\00029\577	REVISED: 11:07:17 08/04/2006
	MTL: -	BY: CKGLEHO

BALDOR ELECTRIC Co.

LY,24DC PSL DOM TENV .750 X 2.00 EXT. 4X 1/4 MTG HOLES

24A614Z022G6



CUSTOMER IS RESPONSIBLE FOR DETERMINING THAT MOTOR PERFORMANCE IS SUITABLE IN THE APPLICATION.

REV. DESC: UPDATE DIMS.

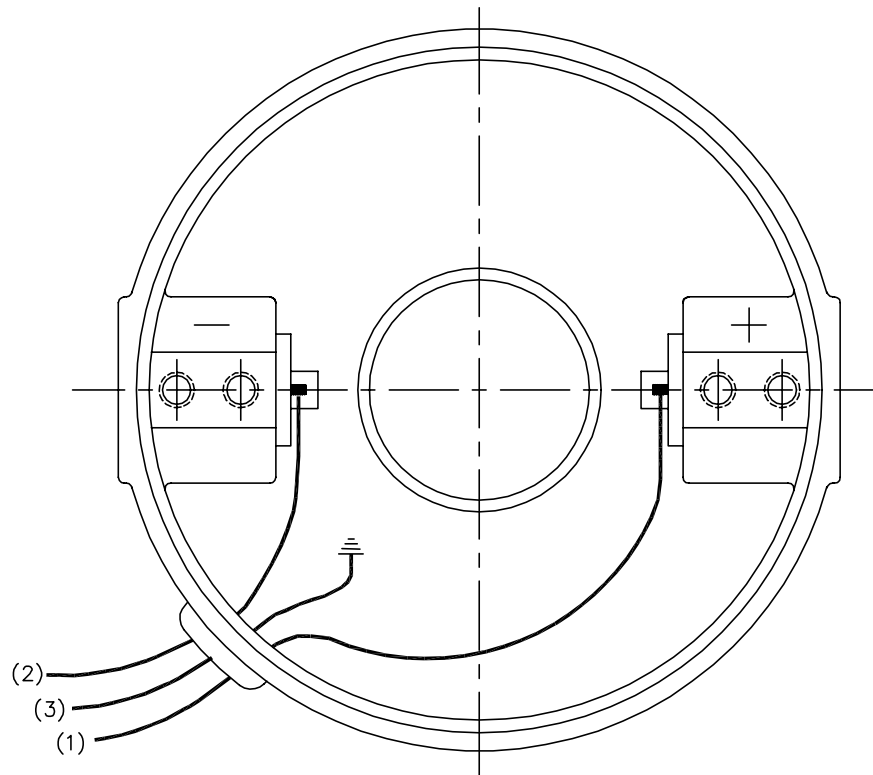
REV. LTR: A	VERSION: 01	TDR: 000000404419
24A614Z022G6	FILE: \CKA\00029\577	REVISED: 11:07:18 08/04/2006
	MTL: -	BY: CKGLEHO

BALDOR ELECTRIC Co.

LY,24DC PSL DOM TENV .750 X 2.00 EXT. 4X 1/4 MTG HOLES

24A614Z022G6

CD1899



(1) COLOR MAY BE
RED
WHT
BLU

(2) COLOR MAY BE
BLK
BRN

(3) COLOR WHEN REQ.
GRN
GRN/YEL

VIEWS FROM
DRIVE END

REV. DESC: NEW			
REV. LTR: -	BY: PAW	REVISED: 09:06:34 09/16/2004	TDR: 341564
668100		FILE: CKA00025830	REF: CD1899
		MTL: -	

BALDOR ELECTRIC Co.

PM,2LD,REV,TANG,CK

CD1899