

BALDOR® • RELIANCE

Product Information Packet

ELECTRIC MOTOR WHOLESAL.COM

IDXM7144T

5HP,1750RPM,3PH,60HZ,184TC,X0640M,XPFC

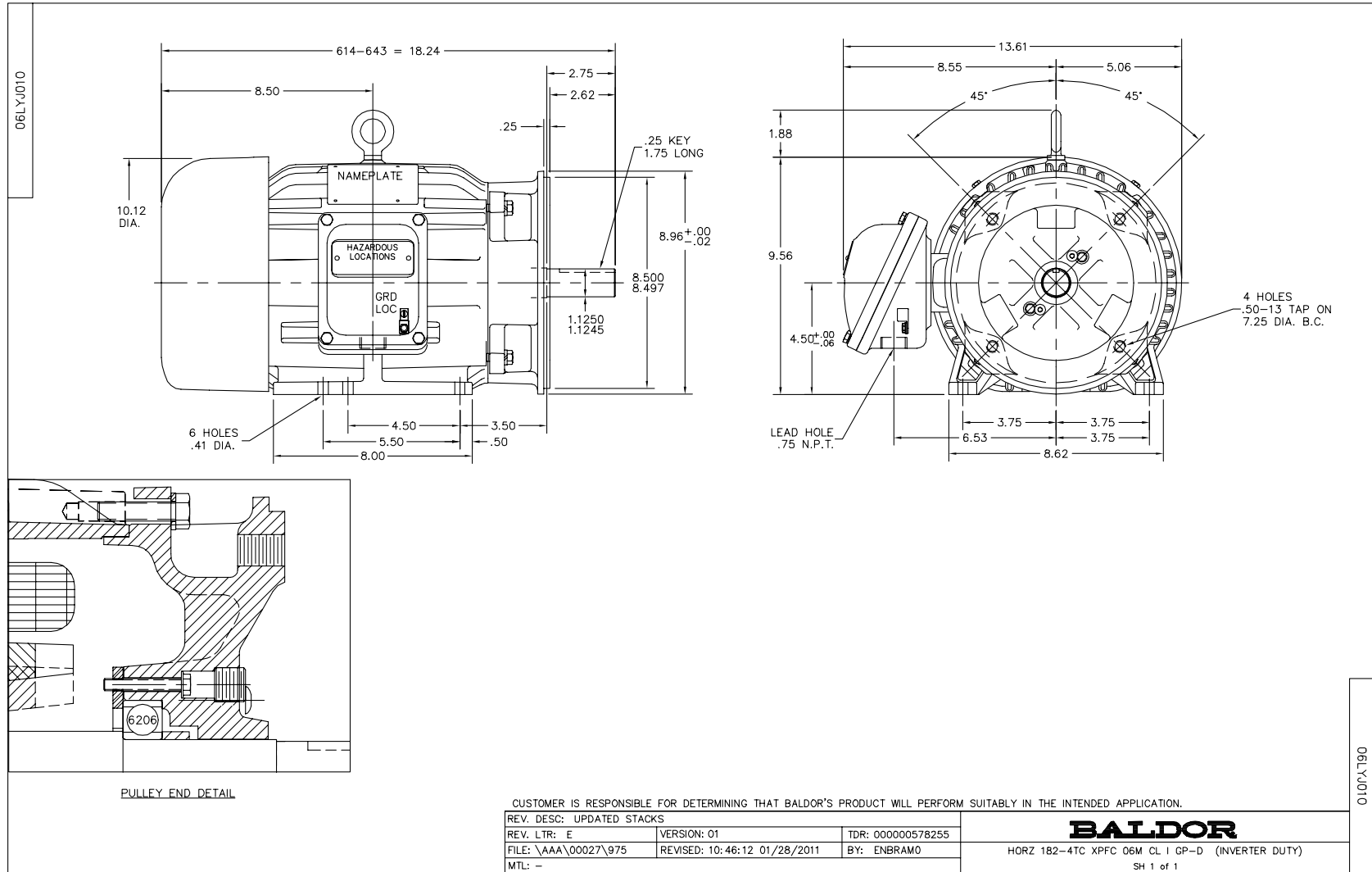
Part Detail							
Revision:	Y	Status:	PRD/A	Change #:		Proprietary:	No
Type:	AC	Prod. Type:	0640M	Elec. Spec:	06WGW352	CD Diagram:	
Enclosure:	XPFC	Mfg Plant:		Mech. Spec:	06J010	Layout:	
Frame:	184TC	Mounting:	F1	Poles:	04	Created Date:	
Base:	RG	Rotation:	R	Insulation:	F	Eff. Date:	11-10-2011
Leads:	9#16	Literature:		Elec. Diagram:		Replaced By:	

Nameplate NP0890XP

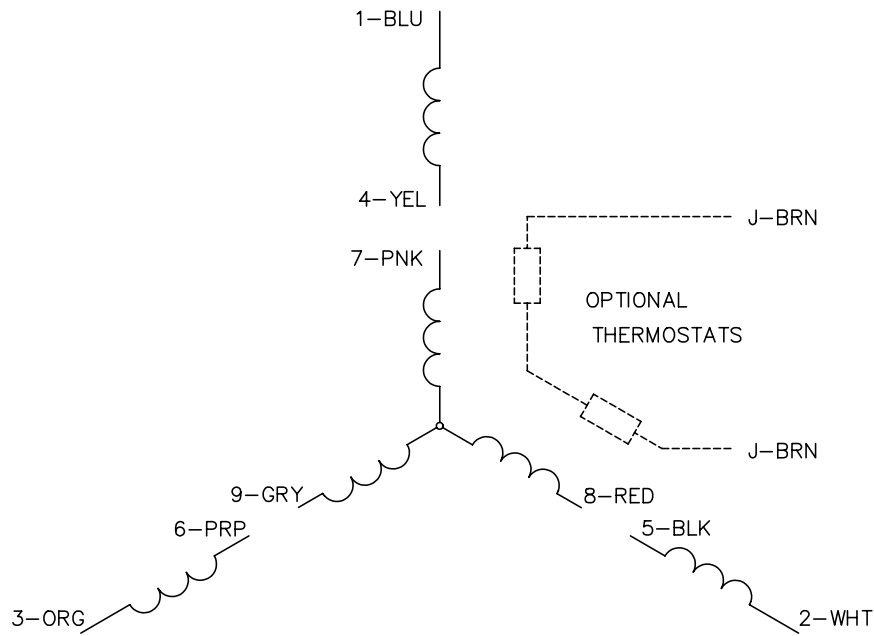
NO.		TEMP CODE	T2B						
SPEC.	06J010W352G1	MX RPM	2700						
CAT.NO.	IDXM7144T	INV.TYPE	PWM						
HP	5	C HP FR	60	C HP TO	90				
VOLTS	230/460	CT HZ FROM	60	CT HZ TO	30				
AMPS	13/6.5	VT HZ FROM	6	VT HZ TO	60				
RPM	1750	DES	B	WK2	.4	PH	3	CL	F
HZ	60	SER.F.	1.00	NOM.EFF.	89.5	SL HZ	1.7		
MAG CUR	6.8/3.4								
RATING	40C AMB-CONT								
FRAME	184TC	CC	010A						
S/N									

Parts List		
Part Number	Description	Quantity
SA020521	SA 06J010W352G1	1.000 EA
RA016574	RA 06J010W352G1	1.000 EA
HW3201A05	3/8-16 EYEBOLT	1.000 EA
07CB1000A02	CONDUIT BOX, MODEL 306,EXP. PROOF	1.000 EA
10XN2520A12	O1/4-20X 3/4 HEX HEAD CAP	4.000 EA
HW1001A25	LOCKWASHER 1/4, ZINC PLT .493 OD, .255 I	4.000 EA
WD1000B17	KPA-8C BURNDY TERMINAL	1.000 EA
51XN1032A06	10-32 X .38 HEX SLOTTED SERRATED WASHER	1.000 EA
HW4500A19	1/4-28X1/4 SLOTTED PLUG F/S	2.000 EA
06EP1706A01	SPECIAL FRONT ENDPLATE X06M - TEFC	1.000 EA
10XN3118K20	5/16-18 X 1 1/4 GRADE 5 STEEL ZC PLATED	4.000 EA
HW1001A31	LOCKWASHER 5/16, ZINC PLT.591 OD, .319 I	4.000 EA
HW5100A05	WVY WSHR F/205 & 304 BRGS	1.000 EA
06EP1707A01	STD XP PU EP 182-4TC 206 BRG 306M	1.000 EA
51XN1032A20	10-32 X 1 1/4 HX WS SL SR	2.000 EA
HW4001A01	1/4 HX SOC PIPE PLG (F/S) ALLOY STEEL W/	2.000 EA
60XN1032A07	10-32 X 1/2 TRUSS HEAD, TORX SERRATED ZN	2.000 EA
10XN3118K20	5/16-18 X 1 1/4 GRADE 5 STEEL ZC PLATED	4.000 EA
HW1001A31	LOCKWASHER 5/16, ZINC PLT.591 OD, .319 I	4.000 EA
06FH1003A01	FAN COVER, CAST X-PROOF--MACHINING	1.000 EA
51XN1032A14	10-32 X 0.875 HX WS SL SR	4.000 EA
07CB1500A01	CONDUIT BOX LID MACH	1.000 EA
10XN2520A16	1/4-20 X 1 HEX HEAD CAP SCR, ZINC PLATED	4.000 EA
HW1001A25	LOCKWASHER 1/4, ZINC PLT .493 OD, .255 I	4.000 EA

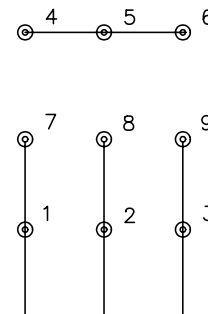
Parts List (continued)		
Part Number	Description	Quantity
HW2501E16	KEY, 1/4 SQ X 1.750	1.000 EA
HA7000A02	KEY RETAINER RING, 1 1/8 DIA, 1 3/8 DIA	1.000 EA
LB1081	LABEL CSA XPROOF	1.000 EA
LB1115	LABEL,LIFTING DEVICE	1.000 EA
85XU0407S04	4X1/4 U DRIVE PIN STAINLESS	6.000 EA
MJ1000A75	GREASE, POLYREX EM EXXON	0.050 LB
36FN3000A01SP	EXFN, PLASTIC, 7.00 OD, .912 ID	1.000 EA
51XB1214A16	12-14X1.00 HXWSSLD SERTYB	1.000 EA
MG1025G29	PAINT 789.205 DARK GRAY METALLIC (USE W/	0.028 GA
MG1025Z20	ACTIVATOR WILKOFAST 060.32	0.010 GA
LB1119	WARNING LABEL	1.000 EA
LB1125C01	STD (STOCK) CARTON LABEL BALDOR WITH FLA	1.000 EA
LC0145B01	CONNECTION LABEL	1.000 EA
NP0890XP	UL/CSA, CLI GP-D,INV	1.000 EA
37PA1052	PACKAGING GROUP, 150 LB MTR 2 X 4 RUNNER	1.000 EA



CD0005

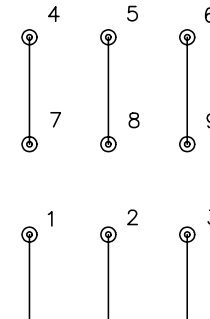


LOW VOLTAGE
(2Y)



LINE

HIGH VOLTAGE
(1Y)



LINE

NOTES:

1. INTERCHANGE ANY TWO LINE LEADS TO REVERSE ROTATION.
2. OPTIONAL THERMOSTATS ARE PROVIDED WHEN SPECIFIED.
3. ACTUAL NUMBER OF INTERNAL PARALLEL CIRCUITS MAY BE A MULTIPLE OF THOSE SHOWN ABOVE.
4. LEAD COLORS ARE OPTIONAL. LEADS MUST ALWAYS BE NUMBERED AS SHOWN.

REV. DESC: REVISE TO SHOW OPTIONAL COLORS			
REV. LTR: E	BY: JLP	REVISED: 01/19/99 10:15	TDR: 0171435
900000		FILE: AAA00005140	MDL: -
		MTL: -	

BALDOR ELECTRIC Co.

3PH, DV, 9 LEADS

CD0005