

# **BALDOR® • RELIANCE**

**Product Information Packet**

**ELECTRIC MOTOR WHOLESAL.COM**

**IDXM7544T**

**5HP,1760RPM,3PH,60HZ,213TC,X0729M,XPFC**

Part Detail							
Revision:	R	Status:	PRD/A	Change #:		Proprietary:	No
Type:	AC	Prod. Type:	0729M	Elec. Spec:	07WGX037	CD Diagram:	
Enclosure:	XPFC	Mfg Plant:		Mech. Spec:	07H867	Layout:	
Frame:	213TC	Mounting:	F1	Poles:	04	Created Date:	
Base:	RG	Rotation:	R	Insulation:	F	Eff. Date:	12-02-2010
Leads:	9#14	Literature:		Elec. Diagram:		Replaced By:	

**Nameplate NP0890XP**

NO.		TEMP CODE	T2B						
SPEC.	07H867X037G1	MX RPM	2700						
CAT.NO.	IDXM7544T	INV.TYPE	PWM						
HP	5	C HP FR	60	C HP TO	90				
VOLTS	230/460	CT HZ FROM	6	CT HZ TO	60				
AMPS	12.6/6.3	VT HZ FROM	6	VT HZ TO	60				
RPM	1760	DES	B	WK2	.608	PH	3	CL	F
HZ	60	SER.F.	1.00	NOM.EFF.	90.2	SL HZ	1.2		
MAG CUR	5.4/2.7								
RATING	40C AMB-CONT								
FRAME	213TC	CC							
S/N									

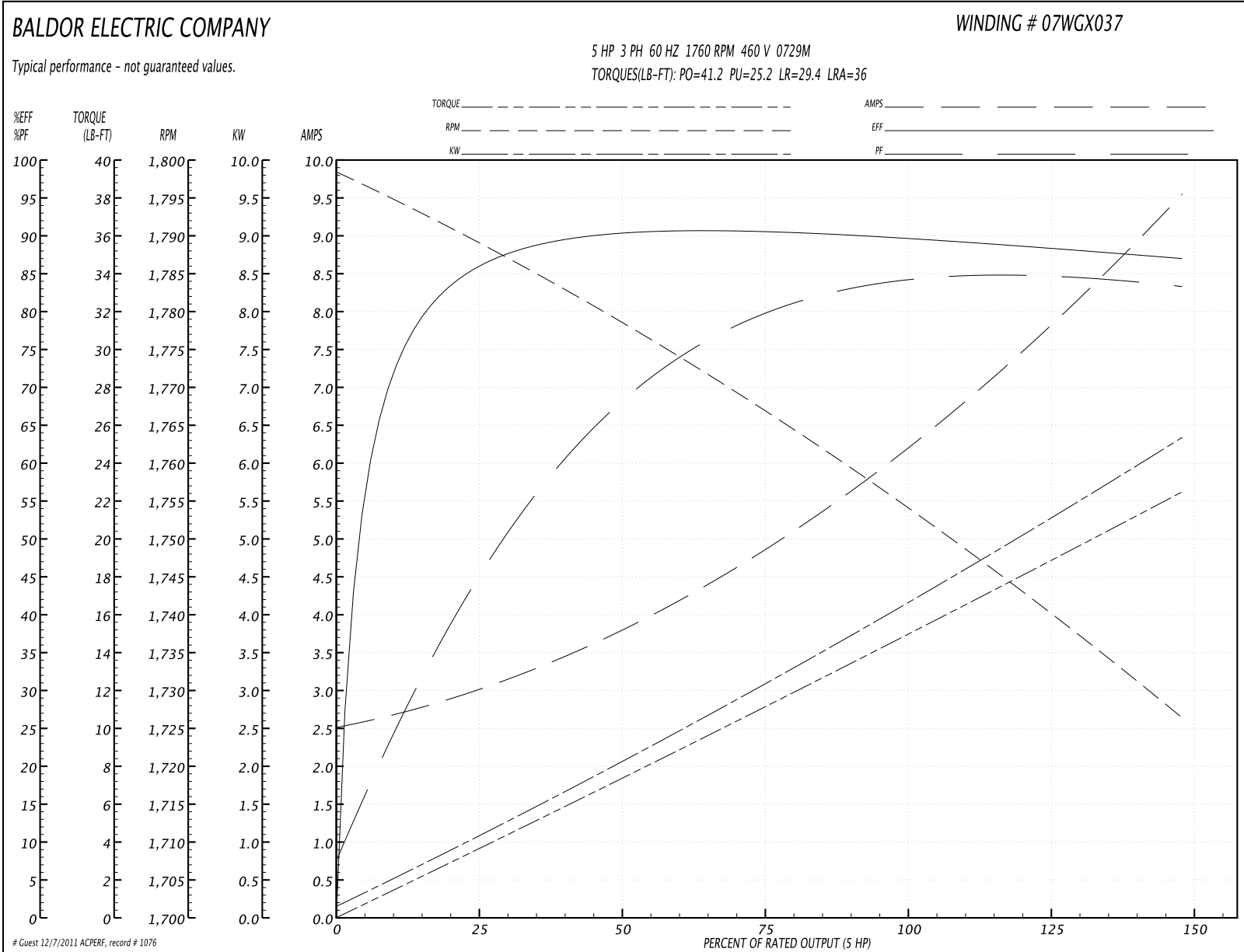
Parts List		
Part Number	Description	Quantity
SA022518	SA 07H867X037G1	1.000 EA
RA018569	RA 07H867X037G1	1.000 EA
HA3210E08	.250X 7/8 PIN 312-57	1.000 EA
HW3201A05	3/8-16 EYEBOLT	1.000 EA
07CB1000A01	CONDUIT BOX MACH	1.000 EA
10XN3118A16	5/16-18X1 HEX HD CAP	4.000 EA
HW1001A31	LOCKWASHER 5/16, ZINC PLT.591 OD, .319 I	4.000 EA
11XW1032G06	10-32 X .38, TAPTITE II, HEX WSHR SLTD U	1.000 EA
WD1000B17	KPA-8C BURNDY TERMINAL	1.000 EA
07EP1707A01	STD FRONT ENDPLATE EXPLOSION PROOF	1.000 EA
HW4500A19	1/4-28X1/4 SLOTTED PLUG F/S	2.000 EA
10XN3816K28	3/8-16 X 1.75 HEX HD CAP SCREW, GRADE 5	4.000 EA
HW1001A38	LOCKWASHER 3/8, ZINC PLT .688 OD, .382 I	4.000 EA
HW5100A06	W2420-025 WVY WSHR (WB)	1.000 EA
07EP1708A01	STANDARD FACE MOUNTED ENDPLATE EXPLOSEIO	1.000 EA
HW4500A19	1/4-28X1/4 SLOTTED PLUG F/S	2.000 EA
10XN3816K28	3/8-16 X 1.75 HEX HD CAP SCREW, GRADE 5	4.000 EA
HW1001A38	LOCKWASHER 3/8, ZINC PLT .688 OD, .382 I	4.000 EA
10XN2520A32	1/4 X 2 HEX HEAD CAP SCR, GRADE 2	4.000 EA
HW1001A25	LOCKWASHER 1/4, ZINC PLT .493 OD, .255 I	4.000 EA
07FH1003A01	STANDARD 307 EXPLOSION PROOF FAN HOUSING	1.000 EA
10XN2520A12	O1/4-20X 3/4 HEX HEAD CAP	4.000 EA
07CB1500A01	CONDUIT BOX LID MACH	1.000 EA
10XN2520A16	1/4-20 X 1 HEX HEAD CAP SCR, ZINC PLATED	4.000 EA

Parts List (continued)		
Part Number	Description	Quantity
HW1001A25	LOCKWASHER 1/4, ZINC PLT .493 OD, .255 I	4.000 EA
HW2501F21	KEY, 5/16 SQ X 2.375	1.000 EA
HA7000A02	KEY RETAINER RING, 1 1/8 DIA, 1 3/8 DIA	1.000 EA
85XU0407S04	4X1/4 U DRIVE PIN STAINLESS	4.000 EA
LB1081	LABEL CSA XPROOF	1.000 EA
LB1115	LABEL,LIFTING DEVICE	1.000 EA
MJ1000A75	GREASE, POLYREX EM EXXON	0.050 LB
37FN3002A01SP	EXFN, PLASTIC, 9.00 OD, 1.155 ID	1.000 EA
51XB1214A20	12-14X1.25 HXWSSLD SERTYB	1.000 EA
MG1025Z20	ACTIVATOR WILKOFAST 060.32	0.010 GA
MG1025G29	PAINT 789.205 DARK GRAY METALLIC (USE W/	0.036 GA
LB1119	WARNING LABEL	1.000 EA
LB1125C01	STD (STOCK) CARTON LABEL BALDOR WITH FLA	1.000 EA
LC0145B01	CONNECTION LABEL	1.000 EA
NP0890XP	UL/CSA, CLI GP-D,INV	1.000 EA
07PA1011	PKG GRP, 07 CAST IRON PK1181	1.000 EA

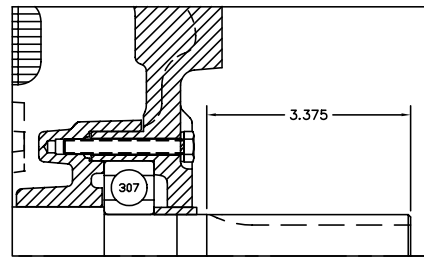
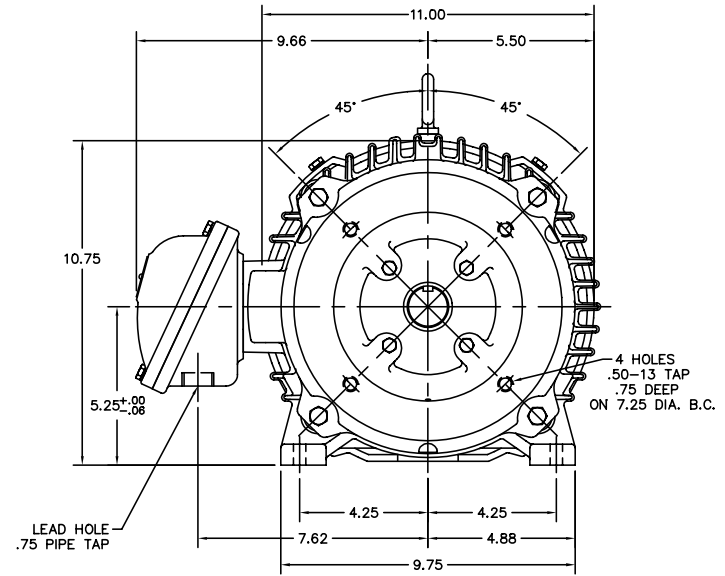
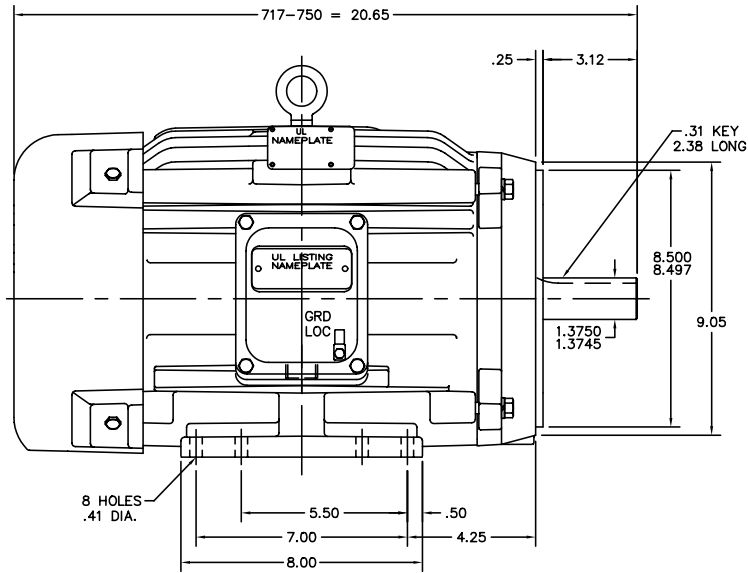
**Performance Data at 460V, 60Hz, 5.0HP (Typical performance - Not guaranteed values)**

General Characteristics							
Full Load Torque:	15.0 LB-FT			Start Configuration:	DOL		
No-Load Current:	2.6 Amps			Break-Down Torque:	41.2 LB-FT		
Line-line Res. @ 25°C.:	2.54 Ohms A Ph / 0.0 Ohms B Ph			Pull-Up Torque:	25.2 LB-FT		
Temp. Rise @ Rated Load:	42 C			Locked-Rotor Torque:	29.4 LB-FT		
Temp. Rise @ S.F. Load:	52 C			Starting Current:	36.0 Amps		
Load Characteristics							
% of Rated Load	25	50	75	100	125	150	S.F.
Power Factor:	48.0	69.0	80.0	83.0	84.0	84.0	84.0
Efficiency:	85.8	90.1	90.5	89.8	88.5	86.9	89.0
Speed:	1788.0	1778.0	1767.0	1754.0	1741.0	1726.0	1746.0
Line Amperes:	2.9	3.8	4.9	6.3	7.8	9.5	7.2

Performance Graph at 460V, 60Hz, 5.0HP Typical performance - Not guaranteed values



07H867



PULLEY END DETAIL

CUST. NAME	CUST. P.O.			REMARKS:		
MODEL	INSUL	AMB	H.P.	MTG	REV: - NEW	
R.P.M.	VOLTS	ENCL	PHASE	FREQ	SCALE: .3	BY: OD
FRAME	TYPE	CERTIFIED BY			FILE: AAA00055447	REVISED: 06/01/98
						TDR: 0153232

**BALDOR ELECTRIC Co.**

HOR 213-5TC XPFC 07M CL-I GP-D (INVERTER DUTY)

07H867

CD0005

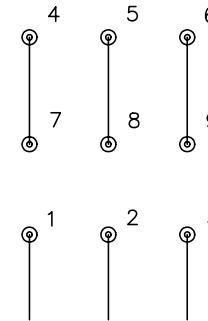


LOW VOLTAGE  
(2Y)



LINE

HIGH VOLTAGE  
(1Y)



LINE

NOTES:

1. INTERCHANGE ANY TWO LINE LEADS TO REVERSE ROTATION.
2. OPTIONAL THERMOSTATS ARE PROVIDED WHEN SPECIFIED.
3. ACTUAL NUMBER OF INTERNAL PARALLEL CIRCUITS MAY BE A MULTIPLE OF THOSE SHOWN ABOVE.
4. LEAD COLORS ARE OPTIONAL. LEADS MUST ALWAYS BE NUMBERED AS SHOWN.

REV. DESC: REVISE TO SHOW OPTIONAL COLORS			
REV. LTR: E	BY: JLP	REVISED: 01/19/99 10:15	TDR: 0171435
900000		FILE: AAA00005140	MDL: -
		MTL: -	

**BALDOR ELECTRIC Co.**

3PH, DV, 9 LEADS

CD0005