



BALDOR® • RELIANCE 

Product Information Packet

ELECTRIC MOTOR WHOLESAL.COM

IDXM7556T

20HP,1770RPM,3PH,60HZ,284T,1046M,XPFC,F1

Part Detail							
Revision:	-	Status:	PRD/A	Change #:		Proprietary:	No
Type:	AC	Prod. Type:	1046M	Elec. Spec:	10WGY137	CD Diagram:	
Enclosure:	XPFC	Mfg Plant:		Mech. Spec:	10E647	Layout:	
Frame:	284T	Mounting:	F1	Poles:	04	Created Date:	01-14-2011
Base:	RG	Rotation:	R	Insulation:	F	Eff. Date:	01-14-2011
Leads:	9#10	Literature:		Elec. Diagram:		Replaced By:	

Nameplate NP0890XP

NO.		TEMP CODE	T2B						
SPEC.	10E647Y137G2	MX RPM	2700						
CAT.NO.	IDXM7556T	INV.TYPE	PWM						
HP	20	C HP FR	60	C HP TO	90				
VOLTS	230/460	CT HZ FROM	6	CT HZ TO	60				
AMPS	46/23	VT HZ FROM	6	VT HZ TO	60				
RPM	1770	DES	B	WK2	3.66	PH	3	CL	F
HZ	60	SER.F.	1.00	NOM.EFF.	93	SL HZ	1		
MAG CUR	15.8/7.9								
RATING	40C AMB-CONT								
FRAME	284T	CC							
S/N									

Parts List		
Part Number	Description	Quantity
SA215001	SA 10E647Y137G2	1.000 EA
RA202200	RA 10E647Y137G2	1.000 EA
09FN3001C02	EXTERNAL FAN, PLASTIC	1.000 EA
12CB1001A02	K.O.BOX, MACH X-PROOF; 1.25 NPT HOLE	1.000 EA
10XN3118K16	5/16-18 X 1" GRADE #5, STL, ZINC PLATE	4.000 EA
HW1001A31	LOCKWASHER 5/16, ZINC PLT.591 OD, .319 I	4.000 EA
WD1000B16	KPA-4C BURNDY TERMINAL	1.000 EA
10XN2520K06	1/4-20 X 3/8" HX HD SCREWGRADE 5, ZINC P	1.000 EA
HW1001A25	LOCKWASHER 1/4, ZINC PLT .493 OD, .255 I	1.000 EA
10EP1701A01	FR ENDPLATE, MACH	1.000 EA
HA3050A03	3/8-16 X 2.25" GRADE 8 BOLT	4.000 EA
HW1001A38	LOCKWASHER 3/8, ZINC PLT .688 OD, .382 I	4.000 EA
HW5100A11	W3917-042 WVY WSHR (WB)	1.000 EA
10EP1709A08	PU ENDPLATE, X-PROOF W/LABYRINTH SHAFT G	1.000 EA
10XN2520K40	1/4-20 X 2-1/2 HEX HD CAPSCREW, GRADE 5,Z	4.000 EA
HW1001A25	LOCKWASHER 1/4, ZINC PLT .493 OD, .255 I	4.000 EA
HA3050A03	3/8-16 X 2.25" GRADE 8 BOLT	4.000 EA
HW1001A38	LOCKWASHER 3/8, ZINC PLT .688 OD, .382 I	4.000 EA
10FH1008A01	310 FAN HOUSING X-PROOF MACH.	1.000 EA
10XN3118K12	5/16-18 X .75 GRADE 5, ZINC PLATED	3.000 EA
HW1001A31	LOCKWASHER 5/16, ZINC PLT.591 OD, .319 I	3.000 EA
12CB1501A01	COND.BOX LID, MACH., X-PROOF, 310,312	1.000 EA
10XN3816K20	3/8-16 X 1.25 HEX HD CAP GRADE 5	6.000 EA
HW1001A38	LOCKWASHER 3/8, ZINC PLT .688 OD, .382 I	6.000 EA

Parts List (continued)		
Part Number	Description	Quantity
HW2501H28	KEY, 1/2 SQ X 3.250	1.000 EA
LB1115	LABEL,LIFTING DEVICE	1.000 EA
HW4500A20	1/8NPT SL PIPE PLUG	2.000 EA
MJ1000A75	GREASE, POLYREX EM EXXON	0.130 LB
HW4500A20	1/8NPT SL PIPE PLUG	2.000 EA
HW2500A25	WOODRUFF KEY USA #1008 #BLOW CARBON STEE	1.000 EA
51XB1214A20	12-14X1.25 HWSSLD SERTYB	1.000 EA
MG1025G05	PAINT 789.201 (WILCO) DARK GRAY METALLIC	0.070 GA
85XU0407A04	#4-7 X 1/4 DRIVE PIN	6.000 EA
LB1073	LABEL, UL/CSA "XP"	1.000 EA
LB5040	INSTRUCTION TAG, AC & DC	1.000 EA
LB1119	WARNING LABEL	1.000 EA
LB1125C01	STD (STOCK) CARTON LABEL BALDOR WITH FLA	4.000 EA
LC0145B01	CONNECTION LABEL	1.000 EA
NP0890XP	UL/CSA, CLI GP-D,INV	1.000 EA
12PA1000	PACKAGING GROUP COMBINED PRINT PK1024A06	1.000 EA

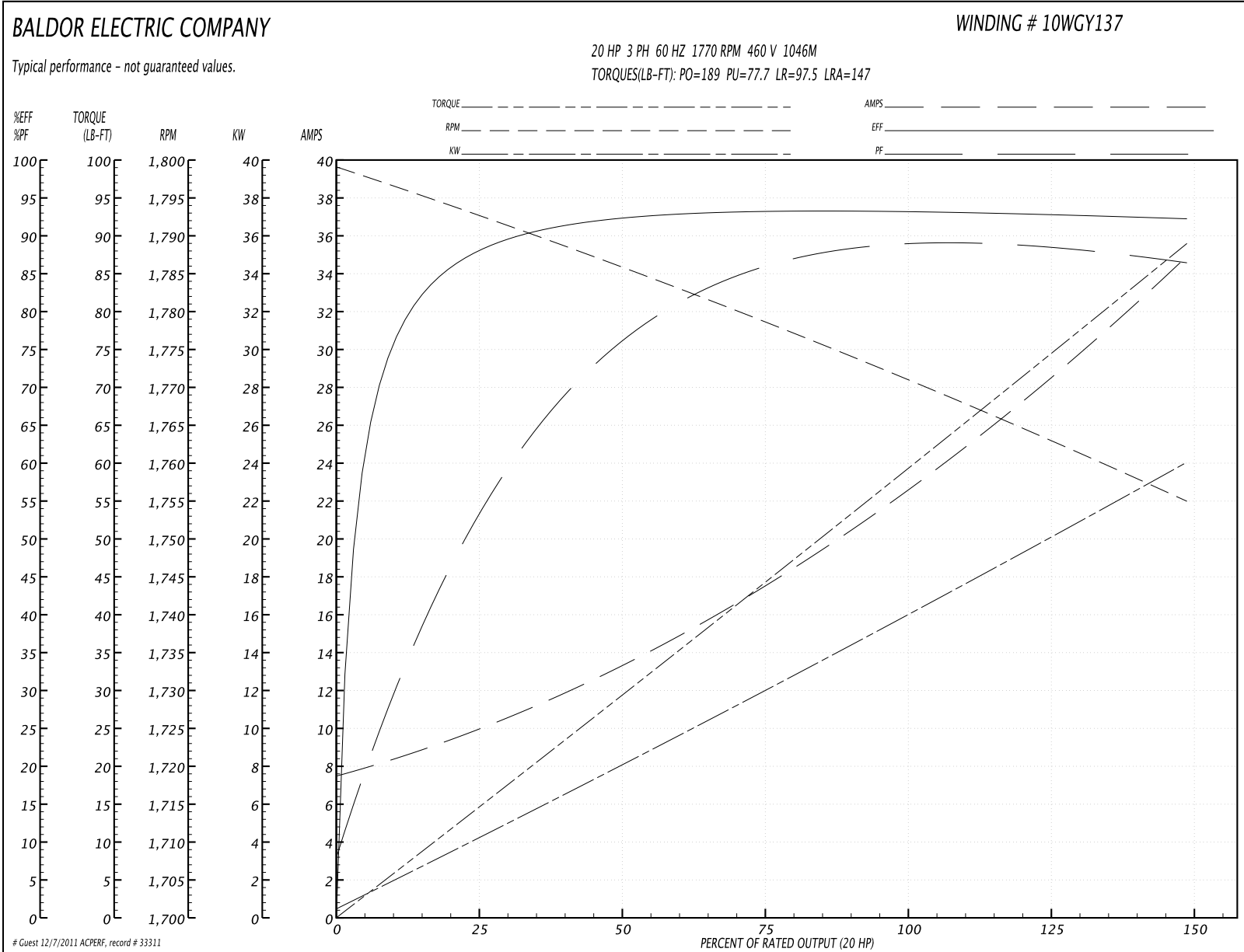
Performance Data at 460V, 60Hz, 20.0HP (Typical performance - Not guaranteed values)
General Characteristics

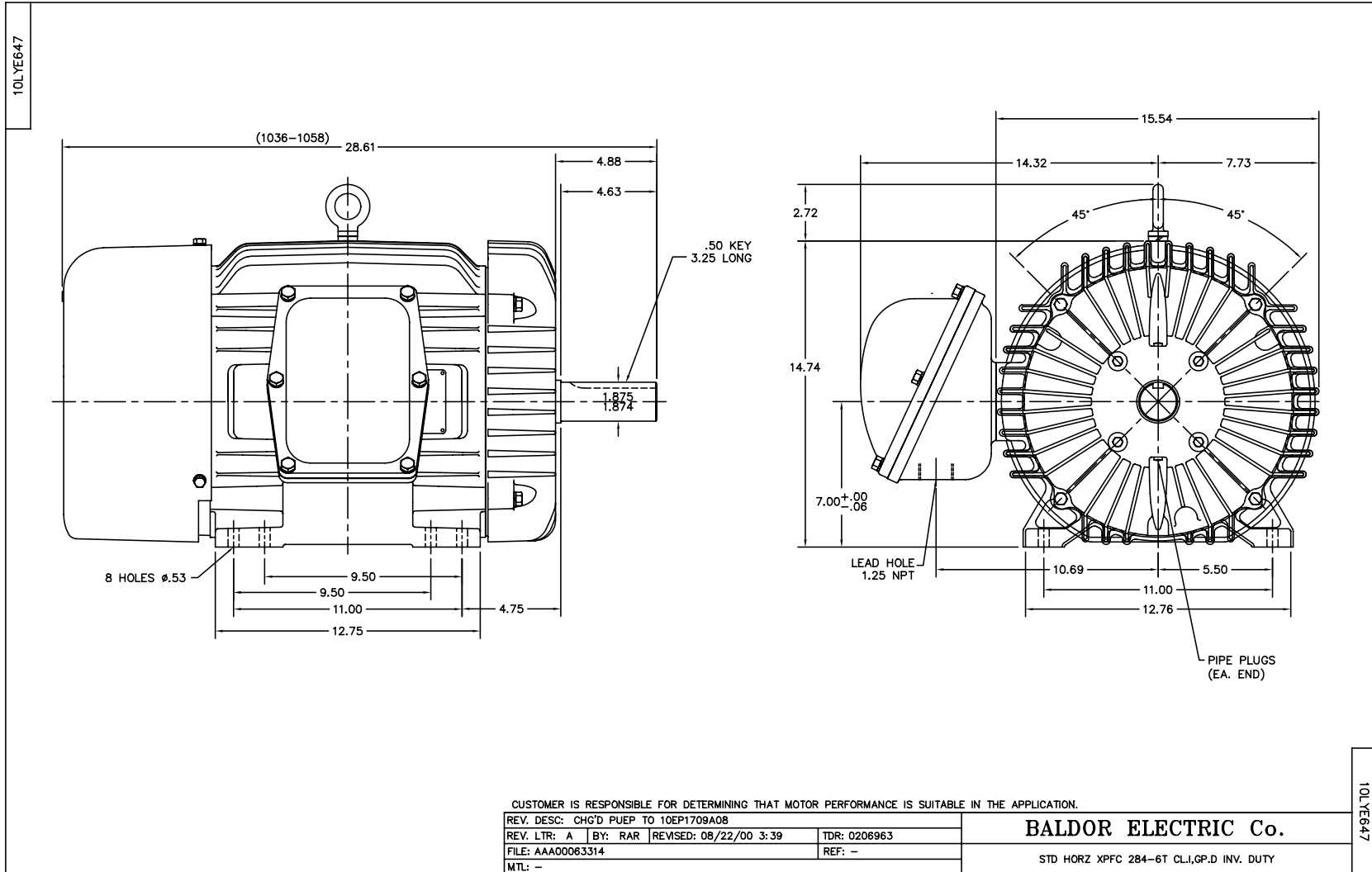
Full Load Torque:	59.3 LB-FT	Start Configuration:	DOL
No-Load Current:	7.87 Amps	Break-Down Torque:	189.0 LB-FT
Line-line Res. @ 25°C.:	0.378 Ohms A Ph / 0.0 Ohms B Ph	Pull-Up Torque:	77.7 LB-FT
Temp. Rise @ Rated Load:	41 C	Locked-Rotor Torque:	97.5 LB-FT
Temp. Rise @ S.F. Load:		Starting Current:	147.0 Amps

Load Characteristics

% of Rated Load	25	50	75	100	125	150	S.F.
Power Factor:	57.0	78.0	85.0	88.0	88.0	87.0	0.0
Efficiency:	88.2	91.9	93.3	93.3	92.9	92.1	0.0
Speed:	1793.0	1785.0	1779.0	1771.0	1763.0	1755.0	0.0
Line Amperes:	9.51	13.1	17.8	22.9	28.5	34.7	0.0

Performance Graph at 460V, 60Hz, 20.0HP Typical performance - Not guaranteed values

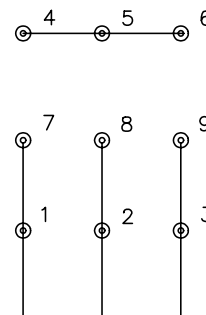




CD0005



LOW VOLTAGE
(2Y)



LINE

HIGH VOLTAGE
(1Y)



LINE

NOTES:

1. INTERCHANGE ANY TWO LINE LEADS TO REVERSE ROTATION.
2. OPTIONAL THERMOSTATS ARE PROVIDED WHEN SPECIFIED.
3. ACTUAL NUMBER OF INTERNAL PARALLEL CIRCUITS MAY BE A MULTIPLE OF THOSE SHOWN ABOVE.
4. LEAD COLORS ARE OPTIONAL. LEADS MUST ALWAYS BE NUMBERED AS SHOWN.

REV. DESC: REVISE TO SHOW OPTIONAL COLORS			
REV. LTR: E	BY: JLP	REVISED: 01/19/99 10:15	TDR: 0171435
900000		FILE: AAA00005140	MDL: -
		MTL: -	

BALDOR ELECTRIC Co.

3PH, DV, 9 LEADS

CD0005