

BALDOR® • RELIANCE

Product Information Packet

ELECTRIC MOTOR WHOLESAL.COM

IDXM7562T

40HP,1780RPM,3PH,60HZ,364T,X1452M,XPFC

Part Detail								
Revision:	C	Status:	PRD/A	Change #:		Proprietary:	No	
Type:	AC	Prod. Type:	A36062M	Elec. Spec:	A36WG1487	CD Diagram:		
Enclosure:	TEFC	Mfg Plant:		Mech. Spec:		Layout:		
Frame:	364T	Mounting:	F1	Poles:	04	Created Date:	02-04-2011	
Base:		Rotation:	R	Insulation:	F	Eff. Date:	10-26-2011	
Leads:	3#4,6#6	Literature:		Elec. Diagram:		Replaced By:		
Nameplate NP2496L								
	MOBIL POLYREX EM							

Nameplate 000613006PC	
CLASS I GROUP	D X X
CLASS II GROUP	X X X
OPERATING TEMP CODE	T2B

Nameplate 000613007HV										
CAT NO	IDXM7562T	SPEC NO.	A36-0235-1487							
SER.NO.		FRAME	X364T							
HP		RPM		VOLTS		AMPS		HZ	TYPE	P
BASE	40	1790		230/460		96.4/48.2		60	SF	1.00
MAX	40	2680		230/460		91.0/45.5		90	INSUL.CLASS	F
DRIVE END BEARING	65BC03J30X	CONSTANT TORQUE	10:1	DUTY	CONT	AMB	40			
OPP D.E. BEARING	65BC03J30X	10:1		ENCL	TEFC	PHASE	3			
DESIGN NO.	A36WG1487-R002	FLUX AMPS	38.8/19.4							
MAX SPEED/RPM	3600	OVERTEMP PROT	2	WK2	14.32	POLES	4	WEIGHT		

Parts List		
Part Number	Description	Quantity
SA216517	SA A36-0235-1487	1.000 EA
RA203705	RA A36-0235-1487	1.000 EA
421948032	LABEL, MYLAR	1.000 EA
NP2496L	MOTOR LUBE NAMEPLATE	1.000 EA
000692000JF	N/P (RELEASE QTY 1,000)	1.000 EA
000692000VD	N/P (REL QTY 4000)	1.000 EA
000692000FX	N/P (RELEASE QTY 500)	1.000 EA
000613006PC	N/P U/L (REL QTY 500)	1.000 EA
000613007HV	N/P BALDOR VSMMASTER	1.000 EA
087793050B	BRKT 360 087793050WCB	1.000 EA
415072001B	CLAMP	1.000 EA
078559001A	+FANCV - 360	1.000 EA
034180012DA	KEY 1X4X1/4X1-1/2 L	1.000 EA
078548001K	FAN KB 100/30 (70) 360	1.000 EA
004824015A	GREASE POLYREX EM	0.540 LB
032018008AK	HHCS 1/4-20X1 PLATED	4.000 EA
032018018CK	HHCS 3/8-16X2-1/4 PLTD.	2.000 EA
415096002A	CPLG 1/8 HEX TYPE	1.000 EA
415045002E	SLGR	1.000 EA
410700004F	WSHR	1.000 EA
034017016AB	LCKW 1/2" PLATED	4.000 EA
034017012AB	LCKW 1/4 STD. PLATED	4.000 EA
032130020DB	HSHCS 1/2-13X2-1/2 PLTD.	4.000 EA
034017014AB	LCKW 3/8 STD. PLATED	2.000 EA

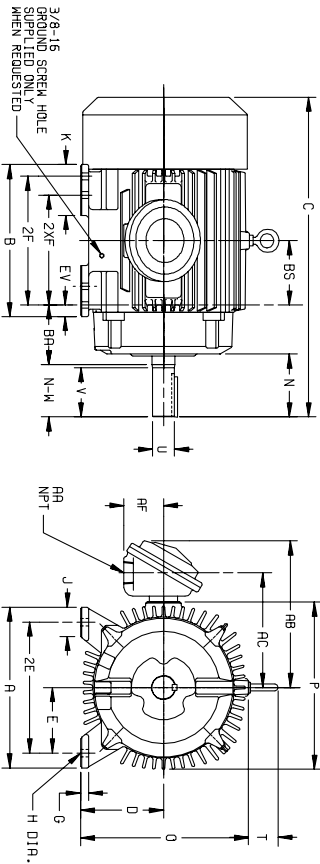
Parts List (continued)		
Part Number	Description	Quantity
034530056AC	P/NIP 1/8X7L GALV-365	1.000 EA
034690002AB	PPLG 1/4" PLTD.	1.000 EA
034690002AB	PPLG 1/4" PLTD.	1.000 EA
087793050A	BRKT 360 087793050WCB	1.000 EA
032018018CK	HHCS 3/8-16X2-1/4 PLTD.	2.000 EA
415045002E	SLGR	1.000 EA
034017016AB	LCKW 1/2" PLATED	4.000 EA
034017014AB	LCKW 3/8 STD. PLATED	2.000 EA
034530020AB	P/NIP 1/8X2-1/2 PLTED	1.000 EA
415096002A	CPLG 1/8 HEX TYPE	1.000 EA
032130020DB	HSHCS 1/2-13X2-1/2 PLTD.	4.000 EA
073646000E	C/B 320 WA073646000 KB	1.000 EA
064069000A	C/BC320/360 X 064069000B	1.000 EA
418150003A	PLUG	1.000 EA
MG1025G05	PAINT 789.201 (WILCO) DARK GRAY METALLIC	0.250 GA
032018014DK	HHCS 1/2-13X1-3/4 PLTD	4.000 EA
063916001DE	+P/NIP 3X2-5/8 DIMPL-360	1.000 EA
034017016AB	LCKW 1/2" PLATED	4.000 EA
035000001A	ALFTG 1/8" 1610-BL	1.000 EA
415000003A	T/LUG KPA4C/HEXGR	1.000 EA
406099000A	PLUG - FAN COVER 320-440	1.000 EA
032018004AM	HHCS 1/4-20X1/2PLTD GREN	1.000 EA
034036012AB	LCKW EXTERNAL TOOTH 1/4"	1.000 EA
035000001A	ALFTG 1/8" 1610-BL	1.000 EA

Parts List (continued)		
Part Number	Description	Quantity
418150003A	PLUG	1.000 EA
004824003AJD	WILKO 778.50 BLUE GREEN	0.250 GA
033775004EA	DRSCR #6-1/4 304 S.S.	8.000 EA
034180034HA	KEY 5/8X5/8X4-1/4 L	1.000 EA

611742-001-SH1

DUTY MASTER ALTERNATING CURRENT MOTORS

ENCLOSURE: TOTALLY ENCLOSED SQUIRREL-CAGE INDUCTION
 UNDERWRITERS LISTED MOTOR
 COOLING: FAN COOLED
 MOUNTING: FOOT
 FRAMES 250T THRU 440T



DIMENSIONS ARE IN INCHES. SEE SHEET 2 FOR DIMENSIONS IN MILLIMETERS.

FRAME	A	DC(2)	E	G	H	J	K	O	P	T	AA	AB	AC	AF	BA	EV
254T-256T	13.50	6.25	5.00	.75	.56	2.50	---	13.25	13.25	2.44	1-1/4	12.38	9.69	3.38	4.25	1.00
254T-261T	13.50	7.00	5.50	.75	.56	2.50	---	14.75	14.68	2.44	1-1/2	13.25	10.58	3.38	4.75	1.00
284T	27.44	5.50	13.00	---	9.50	---	9.50	4.69	4.62	1.875	4.38	.500	3.25	4.95	---	---
284T	27.44	5.50	13.00	---	9.50	---	9.50	3.31	3.25	1.625	3.00	.375	1.88	4.95	---	---
284T	26.06	5.50	13.00	---	9.50	---	9.50	4.69	4.62	1.875	4.38	.500	3.25	5.10	---	---
286T	26.06	5.50	13.00	---	9.50	---	9.50	3.31	3.25	1.625	3.00	.375	1.88	5.10	---	---
324T	28.94	6.00	14.75	---	10.50	---	10.50	5.62	5.25	2.125	5.00	.500	3.88	6.10	---	---
324T	28.94	6.00	14.75	---	10.50	---	10.50	4.12	3.75	1.875	3.50	.500	3.88	6.10	---	---
326T	30.44	6.00	14.75	---	12.00	---	12.00	5.62	5.25	2.125	5.00	.500	3.88	6.50	---	---
364T	33.44	6.12	15.00	---	11.25	---	11.25	6.00	5.88	2.375	5.62	.625	4.25	9.10	---	---
364T	31.31	6.12	15.00	---	11.25	---	11.25	3.88	3.75	1.875	3.50	.500	2.00	9.04	---	---
365T	33.44	6.12	15.00	---	12.25	---	12.25	6.00	5.88	2.375	5.62	.625	4.25	9.50	---	---
404T	36.31	6.12	15.00	---	12.25	---	12.25	3.88	3.75	1.875	3.50	.500	2.00	9.44	---	---
404T	36.31	6.88	16.00	---	12.25	---	12.25	7.50	7.25	2.875	7.00	.750	5.62	13.00	---	---
404T	36.31	6.88	16.00	---	12.25	---	12.25	4.50	4.25	2.125	4.00	.500	2.75	12.91	---	---
405T	36.31	6.88	16.00	---	13.75	---	13.75	7.50	7.25	2.875	7.00	.750	5.62	13.35	---	---
405T	35.31	6.88	16.00	---	13.75	---	13.75	4.50	4.25	2.125	4.00	.500	2.75	13.26	---	---
444T	44.62	8.25	19.00	---	14.50	---	14.50	8.50	8.50	3.375	8.25	.875	6.88	17.70	---	---
444T	40.88	8.25	19.00	---	14.50	---	14.50	4.75	2.375	4.50	.625	3.00	6.88	17.54	---	---
445T	44.62	8.25	19.00	---	16.50	---	16.50	8.50	3.375	8.25	.875	6.88	19.60	---	---	---
445T	40.88	8.25	19.00	---	16.50	---	16.50	4.75	2.375	4.50	.625	3.00	6.88	19.44	---	---

FRAME	C	BS	B	ZF	(4)	N	SHAFT AND KEY			WEIGHT LBS. (5)		
							N-W(6)	U(3)	V		SQ.	LGTH.
254T	24.56	5.00	12.00	---	8.25	4.06	4.00	1.625	3.75	.375	2.88	3.35
256T	24.56	5.00	12.00	10.00	---	4.06	4.00	1.625	3.75	.375	2.88	3.45
284T	27.44	5.50	13.00	---	9.50	4.69	4.62	1.875	4.38	.500	3.25	4.95
284T	27.44	5.50	13.00	---	9.50	3.31	3.25	1.625	3.00	.375	1.88	4.95
286T	27.44	5.50	13.00	---	9.50	4.69	4.62	1.875	4.38	.500	3.25	5.10
286T	26.06	5.50	13.00	---	9.50	3.31	3.25	1.625	3.00	.375	1.88	5.10
324T	30.44	6.00	14.75	---	10.50	5.62	5.25	2.125	5.00	.500	3.88	6.10
324T	30.44	6.00	14.75	---	10.50	4.12	3.75	1.875	3.50	.500	3.88	6.10
326T	32.94	6.00	14.75	---	12.00	5.62	5.25	2.125	5.00	.500	3.88	6.50
364T	33.44	6.12	15.00	---	11.25	6.00	5.88	2.375	5.62	.625	4.25	9.10
364T	31.31	6.12	15.00	---	11.25	3.88	3.75	1.875	3.50	.500	2.00	9.04
365T	33.44	6.12	15.00	---	12.25	6.00	5.88	2.375	5.62	.625	4.25	9.50
404T	36.31	6.12	15.00	---	12.25	3.88	3.75	1.875	3.50	.500	2.00	9.44
404T	36.31	6.88	16.00	---	12.25	7.50	7.25	2.875	7.00	.750	5.62	13.00
404T	36.31	6.88	16.00	---	12.25	4.50	4.25	2.125	4.00	.500	2.75	12.91
405T	36.31	6.88	16.00	---	13.75	7.50	7.25	2.875	7.00	.750	5.62	13.35
405T	35.31	6.88	16.00	---	13.75	4.50	4.25	2.125	4.00	.500	2.75	13.26
444T	44.62	8.25	19.00	---	14.50	8.50	8.50	3.375	8.25	.875	6.88	17.70
444T	40.88	8.25	19.00	---	14.50	4.75	2.375	4.50	.625	3.00	6.88	17.54
445T	44.62	8.25	19.00	---	16.50	8.50	3.375	8.25	.875	6.88	19.60	---
445T	40.88	8.25	19.00	---	16.50	4.75	2.375	4.50	.625	3.00	6.88	19.44

- SPECIAL DIMENSIONS APPLYING TO THIS ORDER ON THIS LINE. CONDUIT BOX LOCATED ON OPPOSITE SIDE WHEN F-2W-1, W-4-W-5-W-7, OR C-1 MOUNTING IS SPECIFIED.
- "D" VARIES 259T - 320T +.00, -.03.
360T - 440T +.00, -.06.
HP TO 1.625 DIA. +.0000, -.0005
- "U" VARIES 1.625 AND LARGER +.000, -.001.
- ALL FRAMES HAVE EIGHT MOUNTING HOLES FOR DUAL MOUNTING. MAXIMUM PERMISSIBLE SHAFT RUNOUT WHEN MEASURED AT END OF STD. SHAFT EXTENSION IS .002 T.I.R. UP TO AND INCLUDING 1.625 DIA. AND .003 T.I.R. 1.625 DIA. TO 5 INCH DIA.
- MOTOR WEIGHTS MAY VARY BY 15% DEPENDING UPON RATING.
- "N-W" VARIES +.00, -.25.

FRAME _____ TYPE _____ CERTIFIED FOR _____
 ORDER _____ ITEM _____ HP _____ RPM _____ PH _____ HZ _____ VOLTS _____
 SALES ORDER _____ APPROVED BY _____ DATE _____

LHS-100-2421119

CUSTOMER IS RESPONSIBLE FOR DETERMINING THAT BALDOR'S PRODUCT WILL PERFORM SUITABLY IN THE INTENDED APPLICATION.

REV. DESC: ASSIGNED TO BUSLOAD	VERSION: 01	TDR: 000000467918
REV. LTR: A	REVISED: 13:58:48 06/17/2008	BY: RAGRHX
FILE: \RAG\00006\851		
MTL: -		

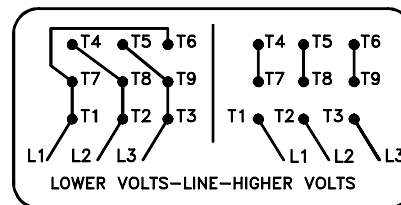
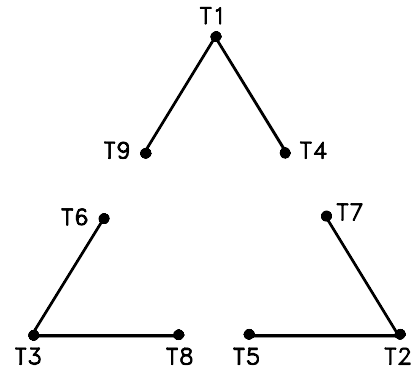
Baldor • Dodge • Reliance

DIM SHT FCXP FT 250-440T

SH 1 of 1

416820-002

A-C MOTOR
 CONNECTION DIAGRAM
 STANDARD 9 LEAD DELTA-CONNECTED



(N.P. 1575-B)

416820-002

REV. DESC: LOADED TO BUS, C/R 335225		
REV. LTR: -	VERSION: 00	TDR: 000000538207
FILE: \MGA\00000\661	REVISED: 10: 47: 51 04/30/2010	
MTL: -	BY: RAGRA	

BALDOR

CONN DIAG - STANDARD 9 LEAD, DELTA-CONNECTED

SH 1 of 1