

BALDOR® • RELIANCE

Product Information Packet

ELECTRIC MOTOR WHOLESAL.COM

JM3120

1.5HP,3450RPM,3PH,60HZ,56J,3424M,OPEN,F1

Part Detail							
Revision:	G	Status:	PRD/A	Change #:		Proprietary:	No
Type:	AC	Prod. Type:	3424M	Elec. Spec:	34WGY691	CD Diagram:	
Enclosure:	OPEN	Mfg Plant:		Mech. Spec:	34J770	Layout:	
Frame:	56J	Mounting:	F1	Poles:	02	Created Date:	
Base:	N	Rotation:	R	Insulation:	B	Eff. Date:	06-14-2011
Leads:	9#18	Literature:		Elec. Diagram:		Replaced By:	

Nameplate NP1256L									
CAT.NO.	JM3120								
SPEC.	34J770Y691								
HP	1.5								
VOLTS	230/460								
AMP	4.4/2.2								
RPM	3450								
FRAME	56J	HZ			60	PH	3		
SER.F.	1.30	CODE			L	DES	B	CLASS	B
NEMA-NOM-EFF	74	PF			86				
RATING	40C AMB-CONT								
CC				USABLE AT 208V		5.5			
DE	6203	ODE			6203				
ENCL	OPEN	SN							
	SFA 5/2.5								

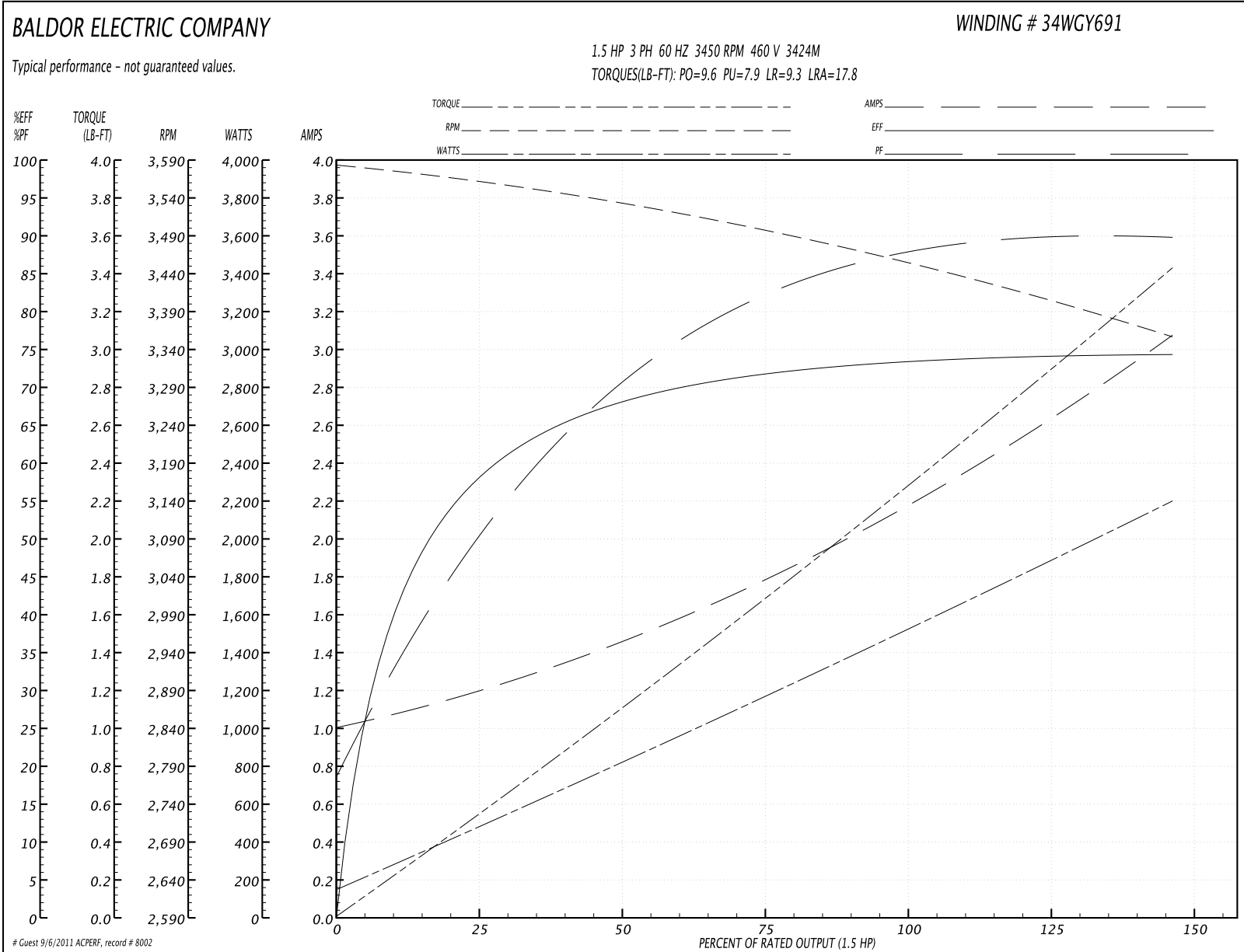
Parts List		
Part Number	Description	Quantity
SA104587	SA 34J770Y691	1.000 EA
RA096429	RA 34J770Y691	1.000 EA
NS2512A01	INSULATOR, CONDUIT BOX X	1.000 EA
34CB3002A	CB CAST W/.88 DIA HOLE	1.000 EA
51XB1016A07	10-16 X 7/16 HXWSSLD SERTYB	2.000 EA
11XW1032G06	10-32 X .38, TAPTITE II, HEX WSHR SLTD U	1.000 EA
34EP3212A03	FR EP 34L FOR DRIP CVR	1.000 EA
HW5100A03SP	WAVY WASHER (W1543-017)	1.000 EA
34EP3401A01SP	PU ENDPLATE, MACH	1.000 EA
34AD2000	BAFFLE PLATE, STAMPED	1.000 EA
51XT0632A06	6-32X3/8 TY23 HXWS SLDSR	4.000 EA
51XN1032A20	10-32 X 1 1/4 HX WS SL SR	2.000 EA
34FH4001A04	DRIP COVER, STAMPED	1.000 EA
51XW1032A06	10-32 X .38, TAPTITE II, HEX WSHR SLTD S	3.000 EA
WD4101A09	STIMPSON D3560, .875 DIA. HOLE PLUG	1.000 EA
34CB4517	CB LID 4 MTG HOLES .22 DIA STAMPED, FOR	1.000 EA
51XW0832A07	8-32 X .44, TAPTITE II, HEX WSHR SLTD SE	4.000 EA
RM1010A01	35-968-1 VINYL CLS	1.000 EA
MG1000G27	PAINT- S9282E CHARCOAL GREY 55 GALLONS	0.014 GA
10XF0440S02	04-40 X 1/8 TYPE F HEX HD STAINLESS STIC	2.000 EA
HA3100A45	THRUBOLT 10-32 X 8.875	4.000 EA
LB5040	INSTRUCTION TAG, AC & DC	1.000 EA
LB1172A01	CUSTOM MTR CARTON LABEL LASER PRINTER	1.000 EA
LC0005E01	CONN.DIA./WARNING LABEL (LC0005/LB1119)	1.000 EA

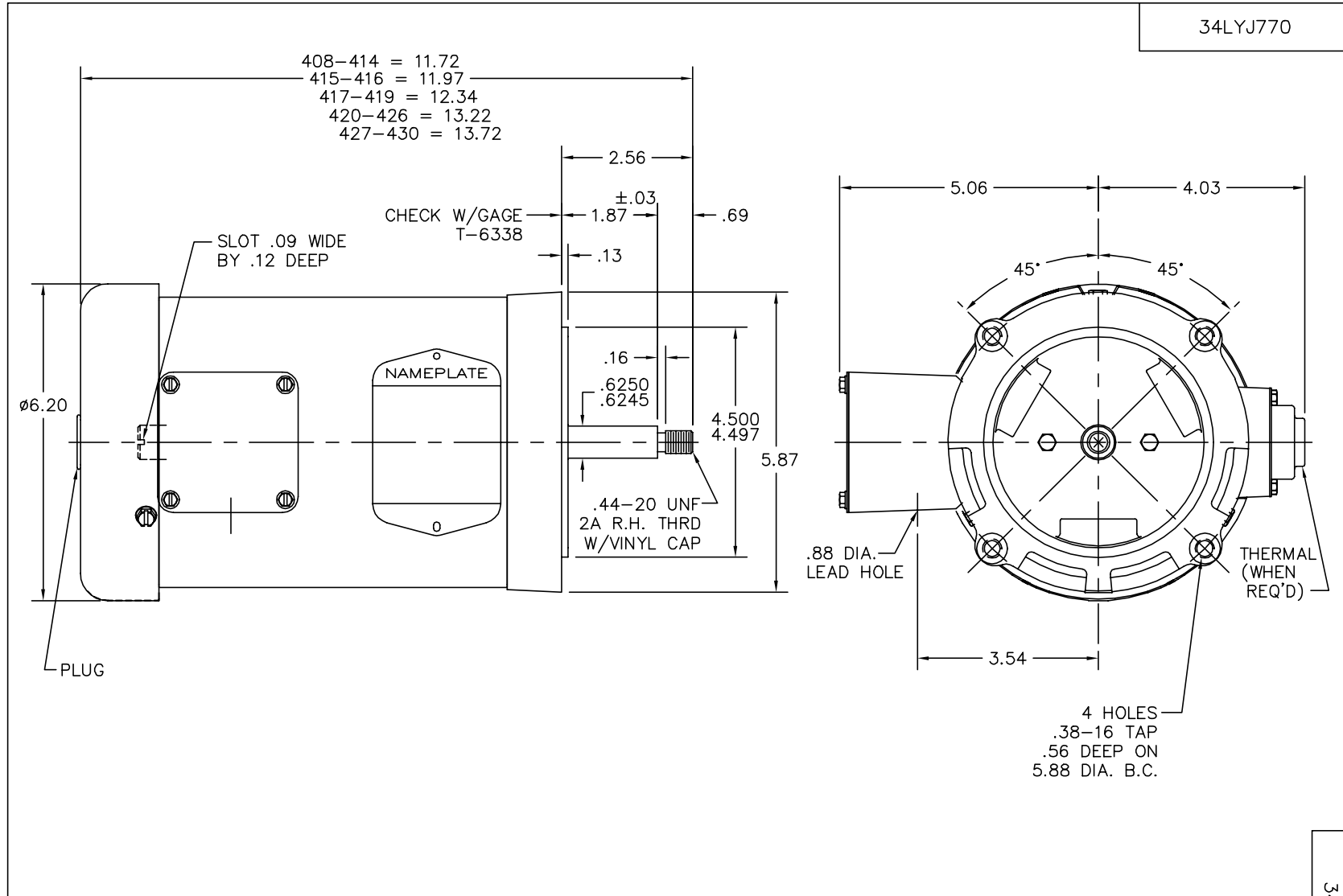
Parts List (continued)		
Part Number	Description	Quantity
NP1256L	ALUM, UL CSA CC, W/O THERMAL, LASER	1.000 EA
27PA1001	PACKAGING GROUP	1.000 EA
PK3083T	STYROFOAM PACKING CRADLE W/TAPE	1.000 EA

Performance Data at 460V, 60Hz, 1.5HP (Typical performance - Not guaranteed values)

General Characteristics							
Full Load Torque:	2.3 LB-FT			Start Configuration:	DOL		
No-Load Current:	1.0 Amps			Break-Down Torque:	9.6 LB-FT		
Line-line Res. @ 25°C.:	9.5 Ohms A Ph / 0.0 Ohms B Ph			Pull-Up Torque:	7.9 LB-FT		
Temp. Rise @ Rated Load:	45 C			Locked-Rotor Torque:	9.3 LB-FT		
Temp. Rise @ S.F. Load:	59 C			Starting Current:	17.8 Amps		
Load Characteristics							
% of Rated Load	25	50	75	100	125	150	S.F.
Power Factor:	56.0	70.0	79.0	86.0	90.0	88.0	91.0
Efficiency:	53.7	67.6	73.4	74.2	74.0	74.0	74.0
Speed:	3555.0	3523.0	3490.0	3456.0	3431.0	3338.0	3426.0
Line Amperes:	1.2	1.5	1.8	2.2	2.6	3.1	2.7

Performance Graph at 460V, 60Hz, 1.5HP Typical performance - Not guaranteed values





CUSTOMER IS RESPONSIBLE FOR DETERMINING THAT MOTOR PERFORMANCE IS SUITABLE IN THE APPLICATION.

REV. DESC: UPDATED DRAWING DESCRIPTION			
REV. LTR: B	BY: RT	REVISED: 13:30:28 02/19/2004	TDR: 325176
022977C		FILE: AAA00107910	REF: 34LYJ770
		MTL: -	

BALDOR ELECTRIC Co.

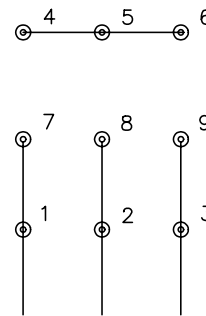
VERT 56J OPEN 34M W/DRIP CVR & LOW RES ENDRINGS

34LYJ770

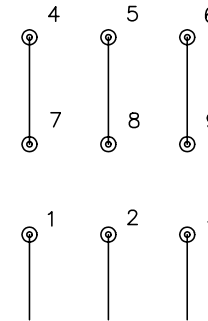
CD0005



LOW VOLTAGE
(2Y)



HIGH VOLTAGE
(1Y)



NOTES:

1. INTERCHANGE ANY TWO LINE LEADS TO REVERSE ROTATION.
2. OPTIONAL THERMOSTATS ARE PROVIDED WHEN SPECIFIED.
3. ACTUAL NUMBER OF INTERNAL PARALLEL CIRCUITS MAY BE A MULTIPLE OF THOSE SHOWN ABOVE.
4. LEAD COLORS ARE OPTIONAL. LEADS MUST ALWAYS BE NUMBERED AS SHOWN.

REV. DESC: REVISE TO SHOW OPTIONAL COLORS			
REV. LTR: E	BY: JLP	REVISED: 01/19/99 10:15	TDR: 0171435
900000		FILE: AAA00005140	MDL: -
		MTL: -	

BALDOR ELECTRIC Co.

3PH, DV, 9 LEADS

CD0005